
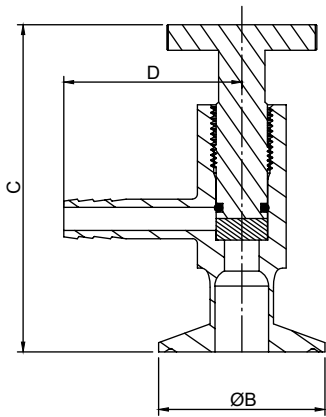


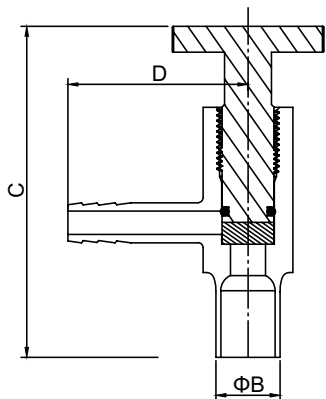
 Sanitary Sampling Valve

 卫生级取样阀



Clamp Sampling Valve
快装取样阀

SIZE	B		C		D	
	in	mm	in	mm	in	mm
1/2"	0.99	25.2	2.95	75	1.97	50
3/4"	0.99	25.2	2.95	75	1.97	50
1"	1.99	50.5	2.95	75	1.97	50



Weld Sampling Valve
焊接取样阀

SIZE	B		C		D	
	in	mm	in	mm	in	mm
1/2"	0.50	12.7	2.95	75	1.97	50
3/4"	0.75	19.05	2.95	75	1.97	50
1"	1.00	25.4	2.95	75	1.97	50