

ASV Series

CKAN

 Aseptic Sampling Valve
 无菌取样阀



 Aseptic Sampling Valve

 无菌取样阀



Valve size (mm)

Figure 1. Dimension - valve.

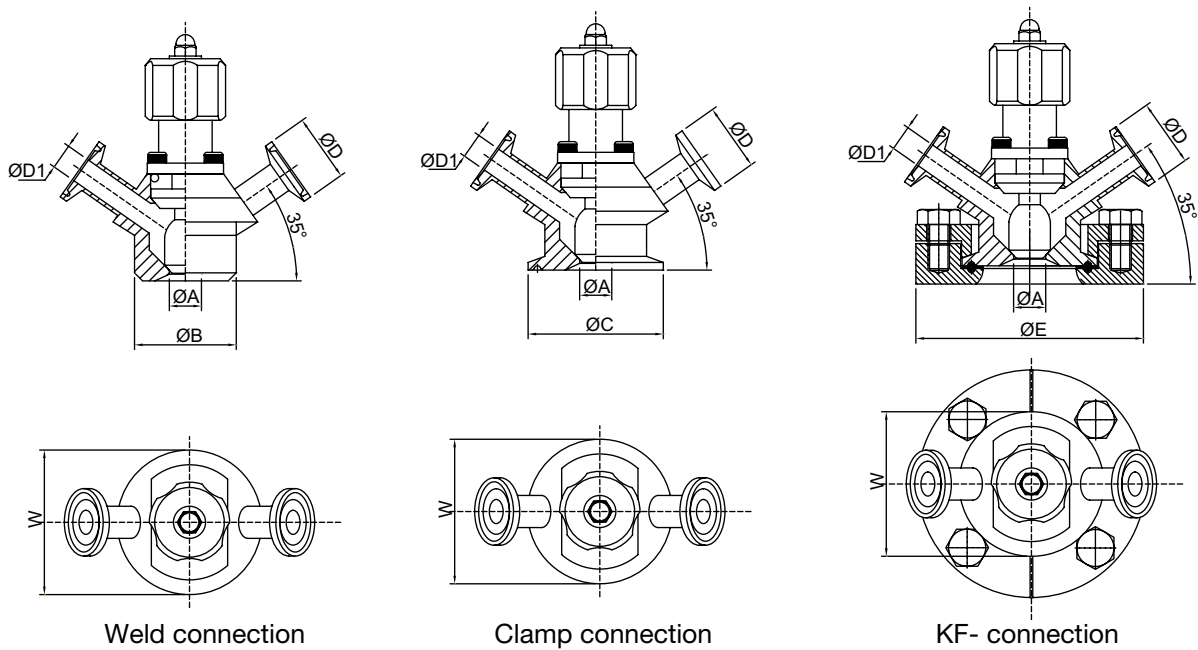
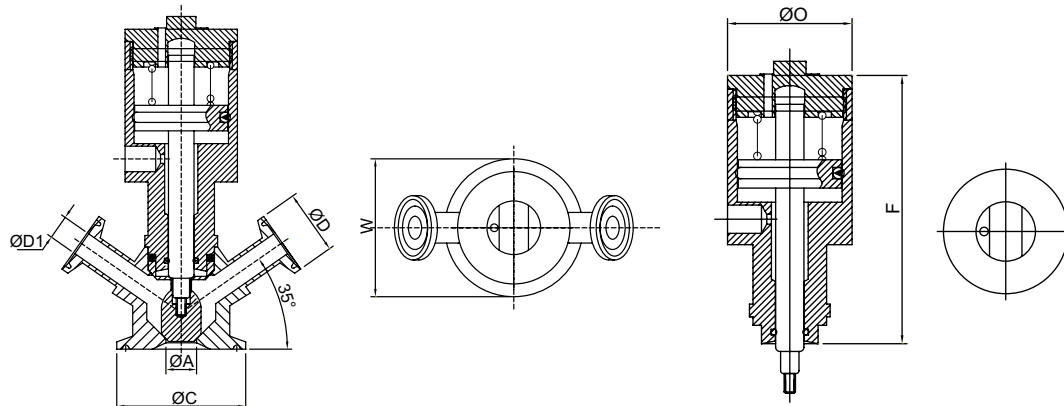


Figure 2. Dimension - drive



SIZE	A		B		C		D		D1		E		F		O		W	
	in	mm	in	mm	in	mm	in	mm	in	mm	in	mm	in	mm	in	mm	in	mm
3/4"	0.24	6	0.75	19.05	0.99	25.2	0.99	25.2	0.20	5							1.52	38.5
1"-1 1/2"	0.47	12	1.50	38.1	1.99	50.5	0.99	25.2	0.37	9.4	3.35	85	3.74	95	1.73	44	2.11	53.7