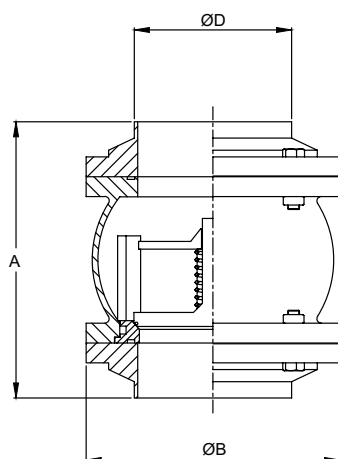


FCV Series

CKAN

 Sanitary Flange Check Valve

 卫生级法兰止回阀



SIZE	A		B		D	
	in	mm	in	mm	in	mm
1"	4.72	120	3.07	78	1.00	25.4
1.5"	4.53	115	3.94	100	1.50	38.1
2"	5.71	145	4.33	110	2.00	50.8
2.5"	5.83	148	4.92	125	2.50	63.5
3"	5.98	152	5.47	139	3.00	76.2
4"	6.65	169	6.38	162	4.00	101.6