






-  Sight glasses DIN28120
-  Hublots DIN28120
-  Schaugläser DIN28120
-  Mirillas DIN28120
-  Sight occhiali DIN28120



- ◆ 7009 06 050
- ◆ 7009 06 080
- ◆ 7009 06 100
- ◆ 7009 06 125
- ◆ 7009 06 150
- ◆ 7009 06 200

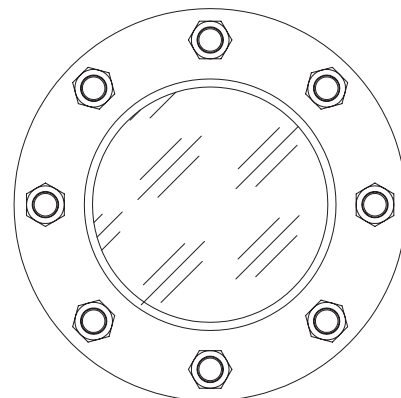
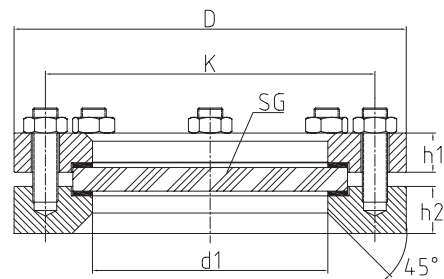


**STANDARD SIZE/\*** At temperature 50°C /122 °F

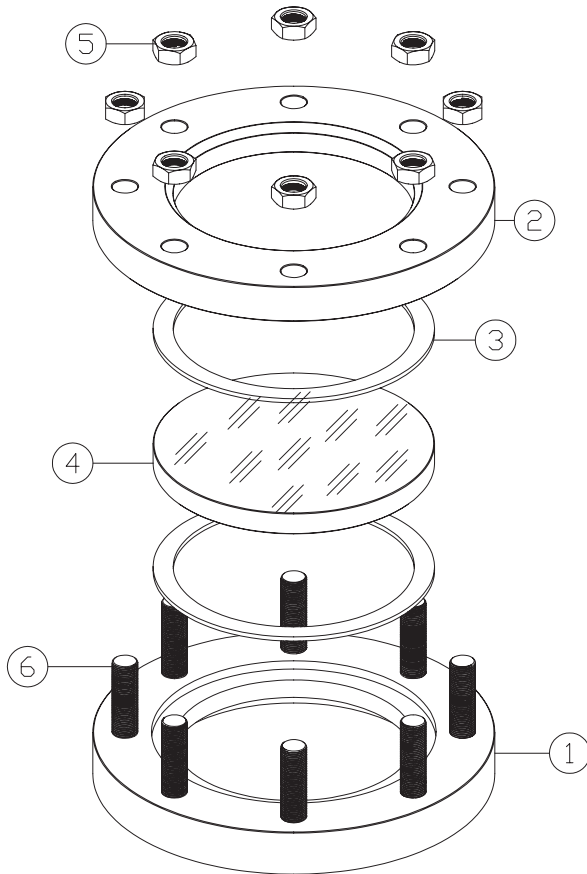
CODE	d1	SG	D	h1	h2	K	P.R
	mm	mm	mm	mm	mm	mm	bar
7009 06 050	80	100	165	16	30	125	10/16
7009 06 080	100	125	200	20	30	160	10/16
7009 06 100	125	150	220	22	30	180	10/16
7009 06 125	150	175	250	25	30	210	10/16
7009 06 150	175	200	285	30	36	240	10
7009 06 200	225	250	340	35	36	295	10

IF YOU WANT TO CHECK FOR MORE DETAILS  
PLEASE CHECK THE FOLLOWING DRAWING

\*1BAR ≈14.5PSI=0.1MPA



## HSG Parts Drawing



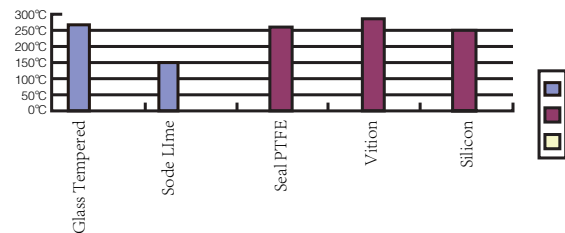
Item	Description	Material	Qty
1	Welding flange	1.4301/1.4404	1
2	Cover flange	1.4301/1.4404	1
3	Gasket	PTFE	2
4	Sight glass disc	Tempered	1
5	Nut	T304	8
6	Screw	T304	8

### Application:

Weld-on sight glass fittings for the observation of the internals of pressure vessels, silos, gear-trains, separators, pipelines, etc.

### Operating Conditions:

These fittings are available for pressure up to 16 bar (depending on size, higher pressure rating on request). For temperature rating (depending on material selection) see the following diagram.



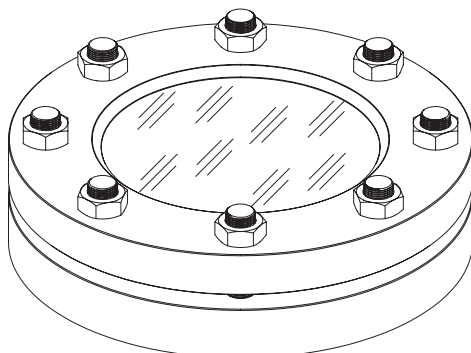
## HSG Technology

### TECHNICAL DATA

Working pressure: . . . . .Acc. to table standard size.

### Certificates

EN10204. 3.1 certificate



### Assembly:

After welding base flange (1) onto or into vessel wall, seals (3), Glass disc (4) and cover flange (5) are placed together in the order shown. Then the nuts (5) (in case of studded base flange) and washers are progressively tightened, always working on diametrically opposed pairs of nuts at time. Other information can be taken from DIN 28120.

### Ordering Information:

Please specify the selected items as follows:  
 Fittings: nominal bore (DN) and nominal pressure (PN).  
 Material: welding flange, bolts, cover flange, glass disc, seals.

-  Sight glasses
-  Hublots
-  Schaugläser
-  Mirillas
-  Sight occhiali



SESG 7009 01



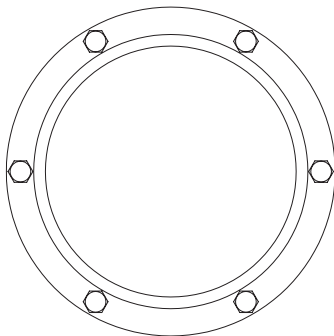
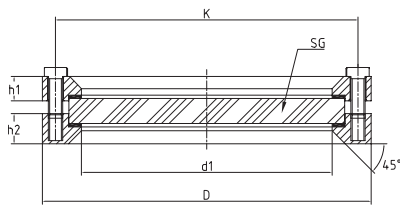
WSESG 7009 02



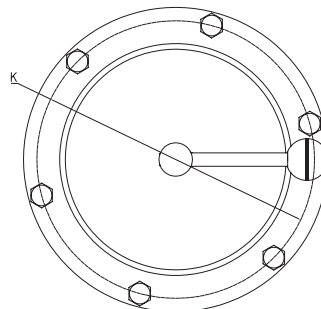
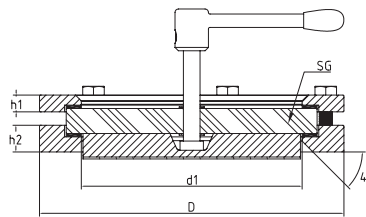
LSESG 7009 03



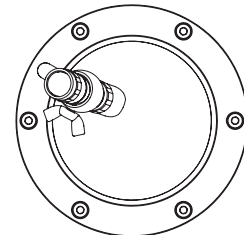
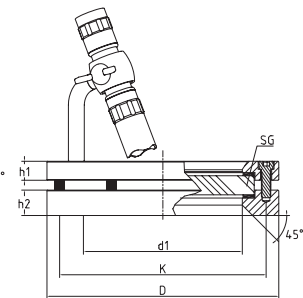
- ◆ 7009 01-03 080
- ◆ 7009 01-03 100
- ◆ 7009 01-03 150



SESG 7009 01



WSESG 7009 02



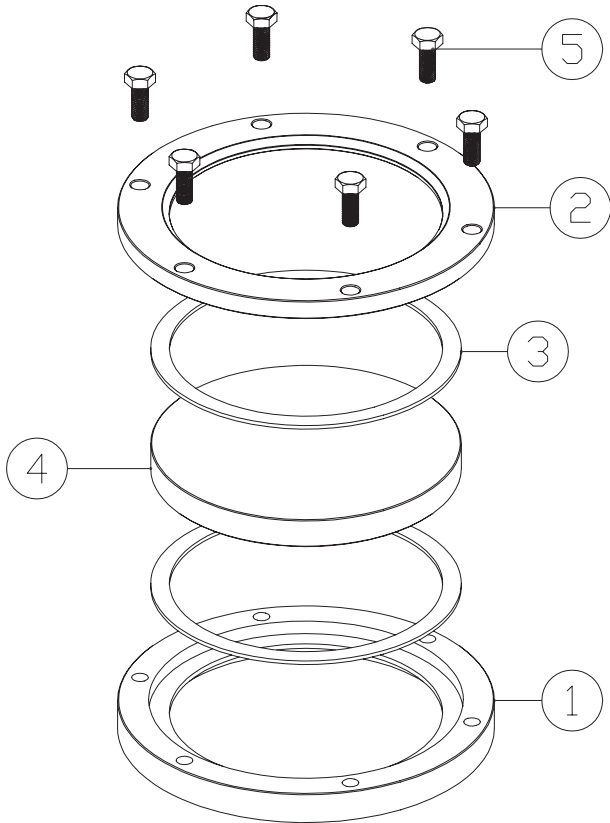
LSESG 7009 03

**STANDARD SIZE/\*** At temperature 50°C / 122 °F

CODE	d1	SG	D	h1	h2	K	Tem.MAX	Pressure rating (bar)
	mm	mm	mm	mm	mm	mm	°C	PN
7009 01-03 080	80	95×10	126	10	16	110	130	6
7009 01-03 100	100	115×12	146	10	16	130	130	6
7009 01-03 150	130	150×15	182	10	16	166	130	6

IF YOU WANT TO CHECK FOR MORE DETAILS PLEASE CHECK THE FOLLOWING DRAWING \*1BAR ≈14.5PSI=0.1MPA

## SESG Parts Drawing



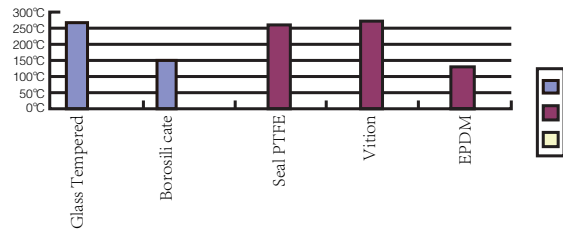
GASKET		
Part No.	Material	Color
7009 03 1	PTFE	White
7009 03 2	EPDM	Black
7009 03 3	FPM	Black

Item	Description	Material	Qty
1	Welding flange	1.4301/1.4404	1
2	Cover flange	1.4301/1.4404	1
3	Gasket	PTFE	2
4	Sight glass disc	Tempered	1
5	Screw	T304	6

## Operating Conditions:

These fittings are available for pressure up to 6 bar (depending on size, higher pressure rating on request). For temperature rating (depending on material selection) see the following diagram.



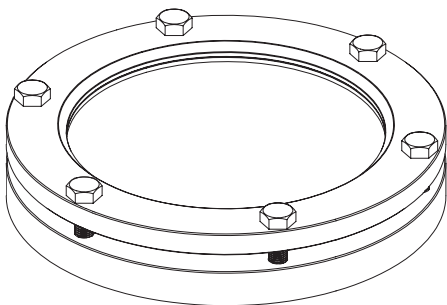
## HSG Technology

### TECHNICAL DATA

Working pressure: . . . . . Acc. to table standard size.

### Certificates

EN10204. 3.1 certificate



## Ordering Information:

sight glass wiper SW, size 3, wiper blade PTFE. If a sight glass disc is needed as well, please specify the following data:






- Borosilicate or Tempered glass
- Sight glass disc size (diameter x s)
- nominal fittings diameter DN

# USES type

# ZIMANI

Explore and Discover

7009

-  Screwed Union Sight glasses
-  Hublots
-  Schaugläser
-  Mirillas
-  Sight occhiali



◆ 7009 04 080

◆ 7009 04 100

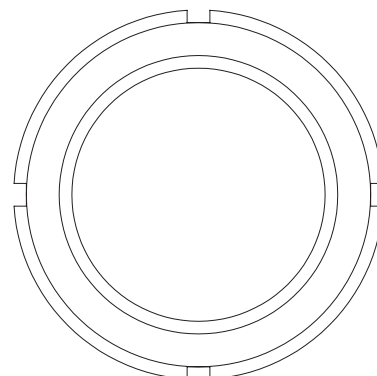
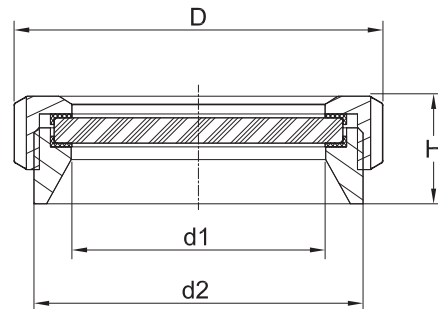


**STANDARD SIZE/\*** At temperature 50°C /122 °F

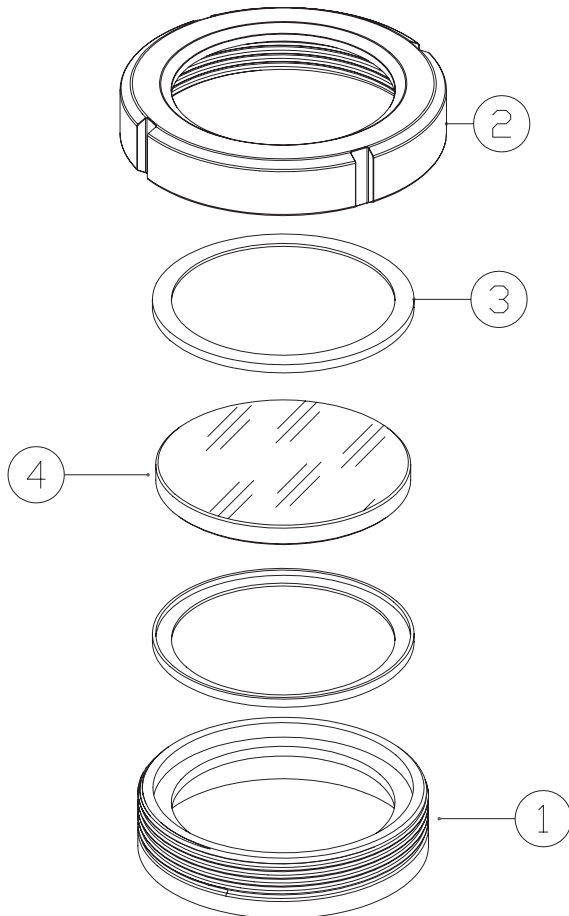
CODE	d1	d2	SG	D	H	P.R
	mm	mm	mm	mm	mm	bar
7009 04 080	85	114×3	100×10	125	42	6
7009 04 100	100	130×5	115×10	146	45	6

IF YOU WANT TO CHECK FOR MORE DETAILS  
PLEASE CHECK THE FOLLOWING DRAWING

\*1BAR ≈14.5PSI≈0.1MPA



## USESG Parts Drawing



Item	Description	Material	Qty
1	Welding male	1.4301/1.4404	1
2	Nut	1.4301	1
3	Gasket	Silicon	2
4	Sight glass disc	Tempered	1

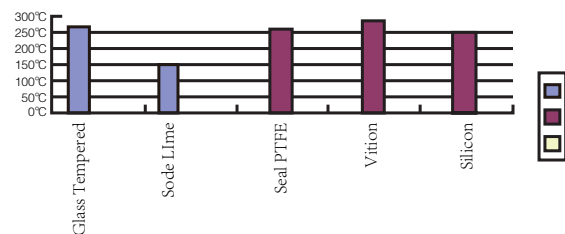
## Applications

Its compact design also makes this unit ideal for inspection use in small bio-reactor vessels and the lids of manways or inspection hatches.

Used widely in the food, dairy, beverage, cosmetic and pharmaceutical industries, these units can be enhanced by the addition of optional wiper assemblies and also low voltage 24v/IP 65 sight & light assemblies.

## Operating Conditions:

These fittings are available for pressure up to 6 bar (depending on size, higher pressure rating on request). For temperature rating (depending on material selection) see the following diagram.



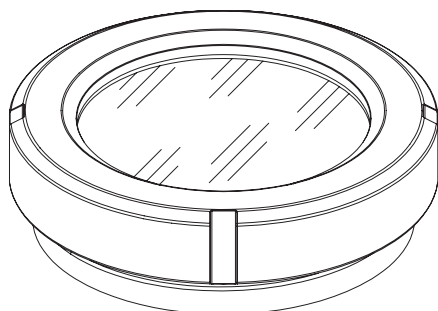
## USESG Technology

### TECHNICAL DATA

Working pressure: . . . . .Acc. to table standard size.

### Certificates

EN10204. 3.1 certificate



## Ordering Information:

Tempered and borosilicate glass view ports to DIN 8902  
Range of food grade seal materials including EPDM, Silicon, Viton® and PTFE

Wetted parts available in 316L 1.4404, 304SS 1.4401  
IP65 rated low voltage 24V / 12V lights with 20 to 50 Watt halogen lamps

**Note:** Low voltage assemblies are only suitable for use in non explosive hazardous areas.