






# R-3 type

# ZIMANI

Explore and Discover

7036

-  Rectangular manwaydoor, opening outwards
-  Porte rectangulaire avec ouverture à l'extérieur
-  Rechteckige Mannlochtür, schwenkbar nach außen (außenöffnung)
-  Puerta rectangular de apertura externa
-  Portella rettangolare ad apertura esterna



◆ 7036 235

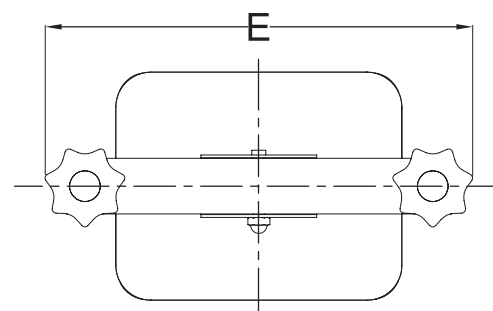
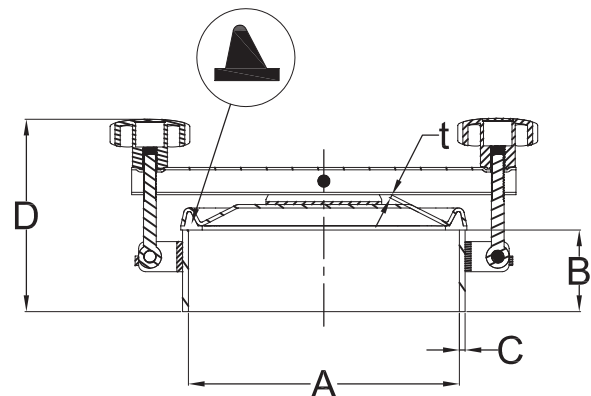


**STANDARD SIZE/\*** At temperature 50°C /122 °F

CODE	A	C	B	T	P.MAX
	mm	mm	mm	mm	bar
7036 235	225×175	5.0	70	3.0	0.7

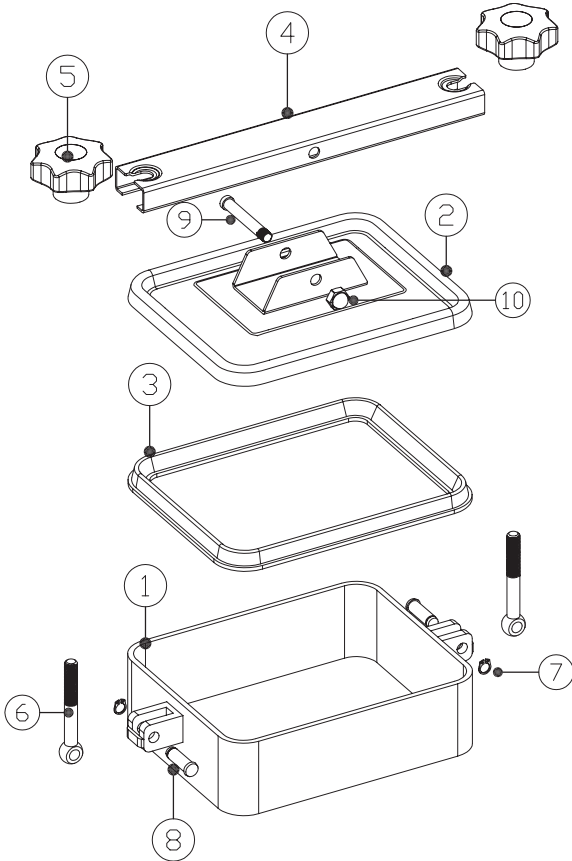
IF YOU WANT TO CHECK FOR MORE DETAILS  
PLEASE CHECK THE FOLLOWING DRAWING

\*1BAR =14.5PSI=0.1MPA



# R-3 type

## R-3 Parts Drawing



### GASKET

Part No.	Material	Color
7010-08 1	Silicon	White
7010-08 2	EPDM	Black
7010-08 3	FPM	Black

Item	Description	Material	Qty
1	Frame	1.4301/1.4404	1
2	Cover	1.4301/1.4404	1
3	Gasket	Silicon	1
4	Bracket	T304	1
5	Handle	Plastic/T304	2
6	Swing bolt	T304	2
7	Lock ring	T304	2
8	Pin	T304	2
9	Screw	T304	1
10	Nut	T304	1

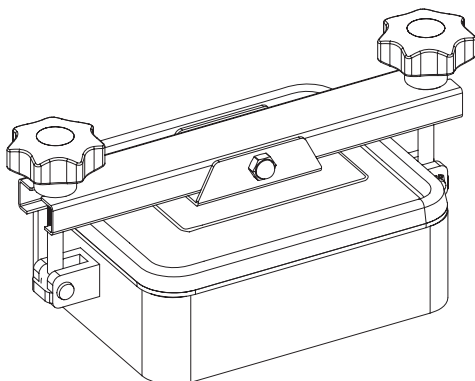
## R-3 Technology

### TECHNICAL DATA

Working pressure: . . . . .Acc. to table standard size.

### Certificates

EN10204. 3.1 certificate



## Options

### Stainless Steel Finishes

POLISHED WITH RA ( $\mu$ )

BEAD BLASTED

PICKLED : ON REQUEST

ELECTRO POLISHED

### Cover & Frame Range

Cover Thickness	Frame/Neck Height
2.0mm	70mm (2.75")
2.5mm	100mm (3.94")
3.0mm	120mm (4.72")

**Note:** Longer heights are also available.