






-  Round pressure covers with glass pane
-  Trappe hublot à pression avec le verre
-  Runder Druckdeckel mit Glasscheibe
-  Tapa circular a presión con el vidrio
-  Chiusino circolare a pressione con vetro



- ◆ 7020 200
- ◆ 7020 300
- ◆ 7020 400
- ◆ 7020 450
- ◆ 7020 500
- ◆ 7020 600

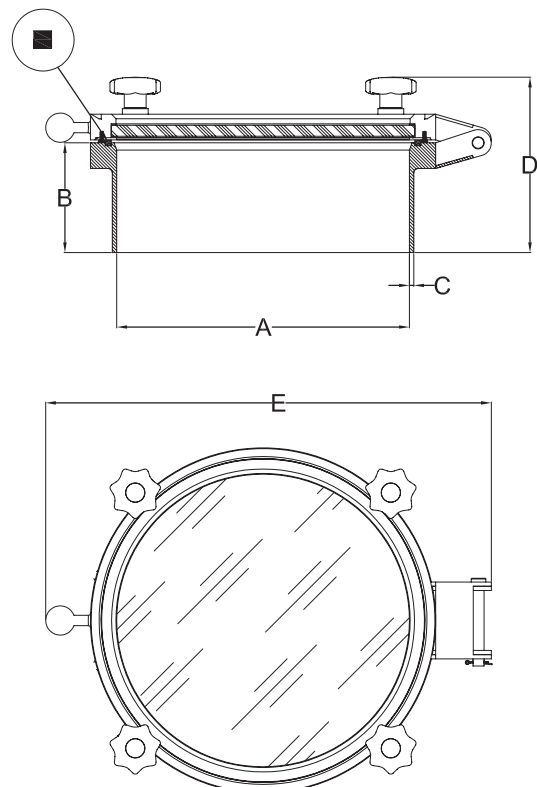


STANDARD SIZE/* At temperature 50°C /122 °F

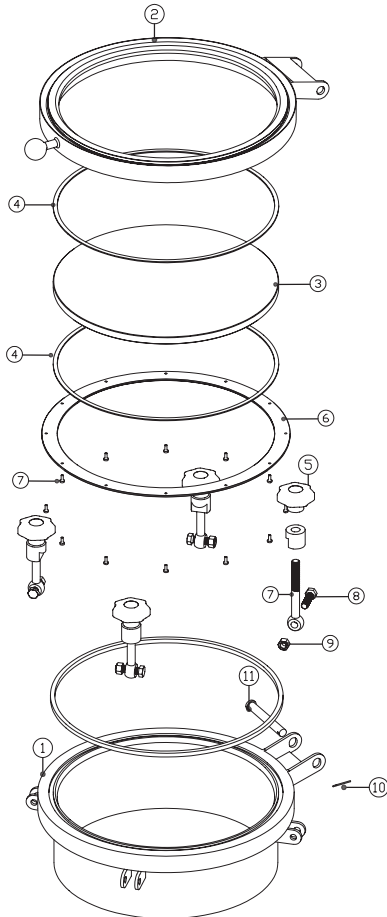
CODE	A	OD×C	BOLTS	B	P.MAX
	mm	mm	No. of	mm	bar
7020 200	200	206×3.0	4	100	2.5
7020 300	300	306×3.0	4/6	100	2.0
7020 400	400	406×3.0	4/6	100	1.5
7020 450	450	456×3.0	4/6	100	1.5
7020 500	500	506×3.0	4/6	100	1.0
7020 600	600	606×3.0	4/6	100	0.5

IF YOU WANT TO CHECK FOR MORE DETAILS
PLEASE CHECK THE FOLLOWING DRAWING

*1BAR ≈14.5PSI=0.1MPA



LIWI Parts Drawing



GASKET		
Part No.	Material	Color
7010-04 1	Silicon	White
7010-04 2	EPDM	Black
7010-04 3	FPM	Black

Item	Description	Material	Qty
1	Frame	1.4301/1.4404	1
2	Cover	1.4301/1.4404	1
3	Glass	Tempered glass	1
4	Seal	PTFE	2
5	Handle	Plastic/1.4301	4
6	Flange	T304	1
7	Swing bolt	T304	4
8	Screw	T304	4
9	Nut	T304	4
10	Cotter Pin	T304	1
11	Pin	T304	1

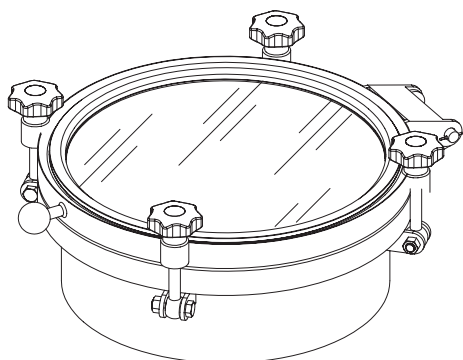
LIWI Technology

TECHNICAL DATA

Working pressure: Acc. to table standard size.

Certificates

EN10204. 3.1 certificate



Options

Stainless Steel Finishes

POLISHED WITH RA (μ)

BEAD BLASTED

PICKLED : ON REQUEST

ELECTRO POLISHED

Cover & Frame Range

Cover Thickness	Frame/Neck Height
20mm	85mm (3.35")
22mm	100mm (3.94")
35mm	120mm (4.72")
	150mm (5.91")
	200mm (7.76")
	250mm (9.85")

Note: Longer heights are also available.