






-  Pressure round external manlids
-  Portes extérieures rondes à pression
-  Runde Außentüren mit Druck
-  Puertas exteriores redondas con presión
-  Chiusino superiore con graffe di chiusura



- ◆ 7022 200
- ◆ 7022 300
- ◆ 7022 350
- ◆ 7022 400
- ◆ 7022 430
- ◆ 7022 450
- ◆ 7022 500
- ◆ 7022 600

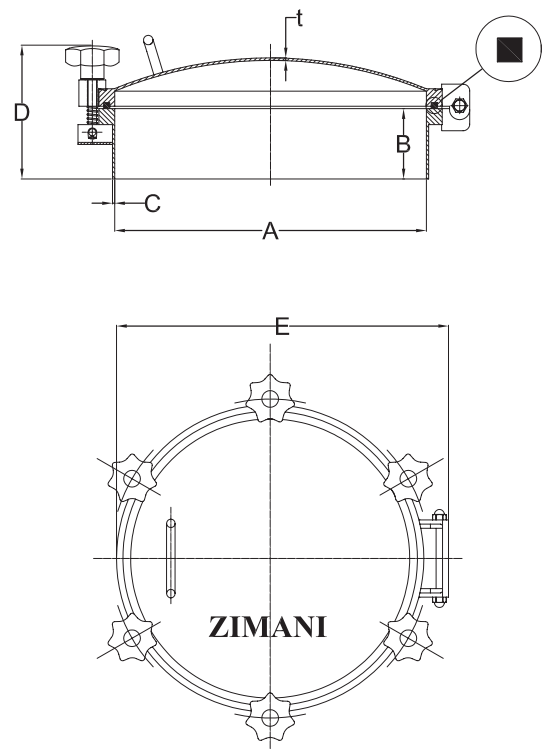


STANDARD SIZE/* At temperature 50°C / 122 °F

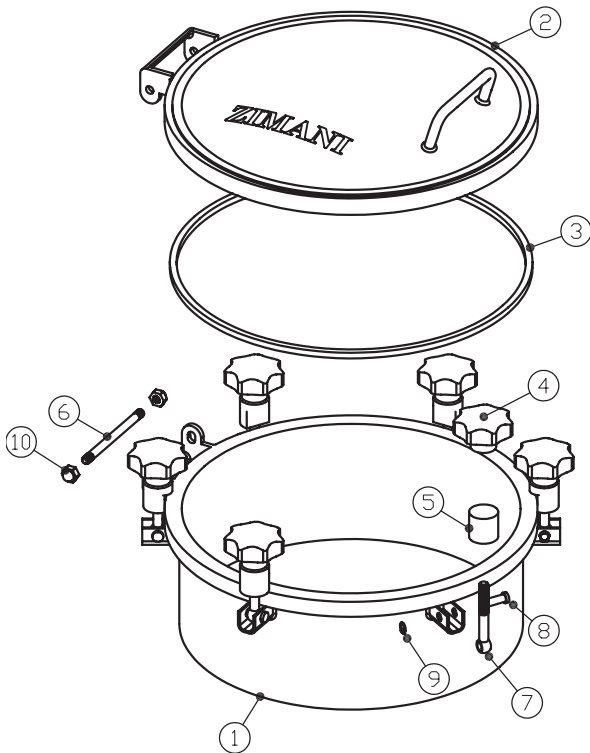
CODE	A	OD×C	BOLTS	B	t	P.MAX
	mm	mm	No. of	mm	mm	bar
7022 200	200	206×3.0	4	100	3.0	5.5
7022 300	300	306×3.0	4/6	100	3.0	5.5
7022 350	350	356×3.0	4/6	100	3.0	5
7022 400	450	456×3.0	4/6/8	100	3.0	4
7022 430	430	436×3.0	4/6/8	100	3.0	4
7022 450	450	456×3.0	6/8/10	100	3.0	3.5
7022 500	500	506×3.0	6/8/10	100	3.0	2.5
7022 600	600	606×3.0	6/8/10/12	100	4.0	2

IF YOU WANT TO CHECK FOR MORE DETAILS
PLEASE CHECK THE FOLLOWING DRAWING

*1BAR ≈ 14.5PSI=0.1MPA



LPSD Parts Drawing



GASKET

Part No.	Material	Color
7010-04 1	Silicon	White
7010-04 2	EPDM	Black
7010-04 3	FPM	Black

Item	Description	Material	Qty
1	Frame	1.4301/1.4404	1
2	Cover	1.4301/1.4404	1
3	Gasket	Silicon	1
4	Handle	Plastic/1.4301	6
5	Hub	T304	6
6	Screw	T304	1
7	Swing Bolt	T304	6
8	Pin	T304	6
9	Lock Ring	T304	6
10	Nut	T304	2

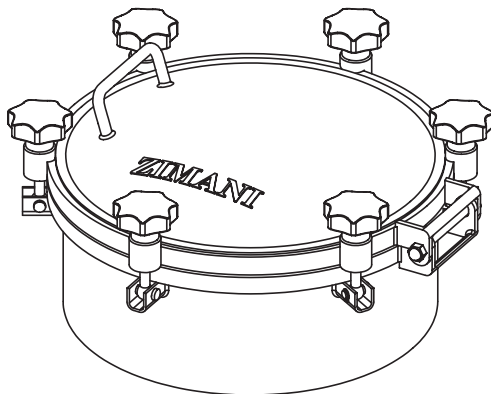
LPSD Technology

TECHNICAL DATA

Working pressure: Acc. to table standard size.

Certificates

EN10204. 3.1 certificate



Options

Stainless Steel Finishes

POLISHED WITH RA (μ)

BEAD BLASTED

PICKLED : ON REQUEST

ELECTRO POLISHED

Cover & Frame Range

Cover Thickness	Frame/Neck Height
3.0 mm	85mm (3.35")
3.5 mm	100mm (3.94")
4.0 mm	120mm (4.72")
	150mm (5.91")
	200mm (7.76")
	250mm (9.85")

Note: Longer heights are also available.