






-  **OVAL Manwaydoor outwards opening**
-  **Porte Ovale avec ouverture à l'extérieur**
-  **Ovale Mannlochtür, schwenkbar nach außen (außenöffnung)**
-  **Puerta Oval de apertura externa**
-  **Portella Ovale apertura esterna**



◆ 7032 420

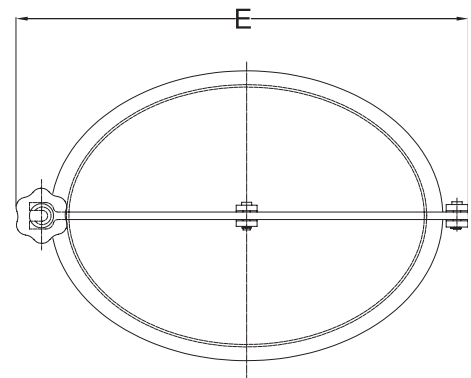
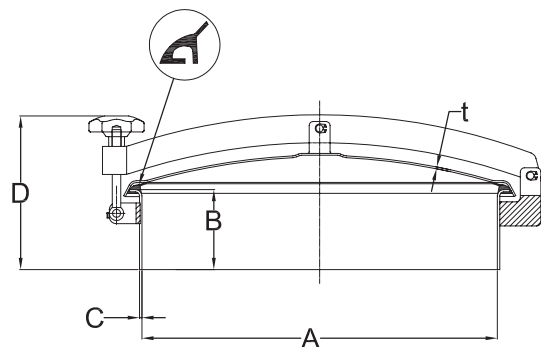


STANDARD SIZE/* At temperature 50°C /122 °F

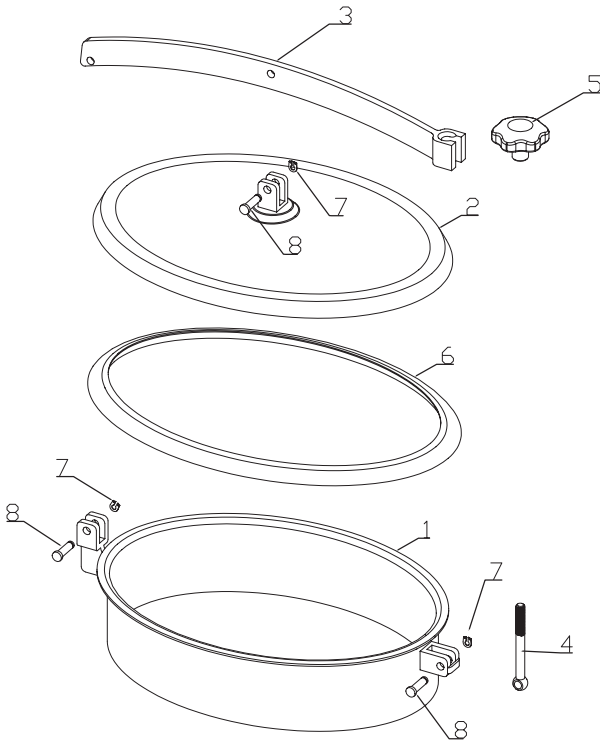
CODE	A	C	B	T	P.MAX
	mm	mm	mm	mm	bar
7032 420	414×294	3	100	2.5	0.1

IF YOU WANT TO CHECK FOR MORE DETAILS
PLEASE CHECK THE FOLLOWING DRAWING

*1BAR =14.5PSI=0.1MPA



ONP Parts Drawing



GASKET

Part No.	Material	Color
7010-01 1	Silicon	White
7010-01 2	EPDM	Black
7010-01 3	FPM	Black

Item	Description	Material	Qty
1	Frame	1.4301/1.4404	1
2	Cover	1.4301/1.4404	1
3	Bracket	T304	1
4	Swing bolt	T304	1
5	Handle	Plastic/T304	1
6	Gasket	Silicon	1
7	Lock ring	T304	3
8	Pin	T304	3

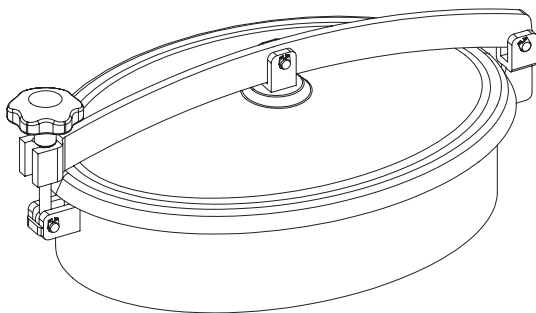
ONP Technology

TECHNICAL DATA

Working pressure:Acc. to table standard size.

Certificates

EN10204. 3.1 certificate



Options

Stainless Steel Finishes

POLISHED WITH RA (μ)

BEAD BLASTED

PICKLED : ON REQUEST

ELECTRO POLISHED

Cover & Frame Range

Cover Thickness	Frame/Neck Height
2.5mm	80mm (3.15")
3.0mm	100mm (3.94")
	120mm (4.72")
	150mm (5.91")
	200mm (7.76")

Note: Longer heights are also available.