






-  Rectangular manwaydoor, opening outwards
-  Porte rectangulaire avec ouverture à l'extérieur
-  Rechteckige Mannlochtür, schwenkbar nach außen (außenöffnung)
-  Puerta rectangular de apertura externa
-  Portella rettangolare ad apertura esterna



- ◆ 7040 435
- ◆ 7040 535
- ◆ 7040 700

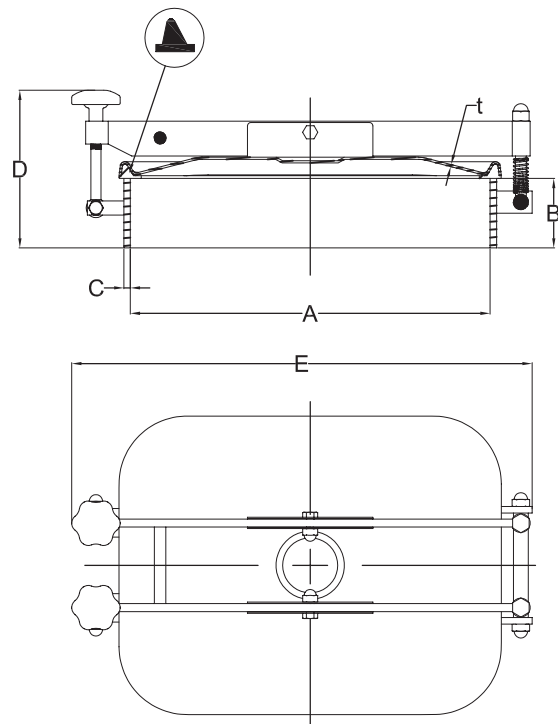


STANDARD SIZE/* At temperature 50°C /122 °F

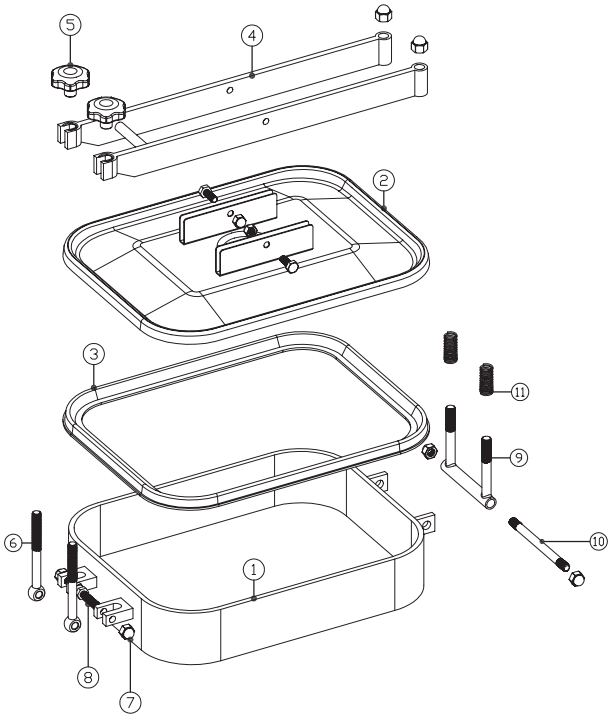
CODE	A	C	B	T	P.MAX
	mm	mm	mm	mm	bar
7040 435	419×319	8.0	70	3.0	0.6
7040 535	519×399	8.0	100	3.0	0.25
7040 700	676×476	12.0	100	4.0	0.1

IF YOU WANT TO CHECK FOR MORE DETAILS
PLEASE CHECK THE FOLLOWING DRAWING

*1BAR ≈14.5PSI=0.1MPA



R2D Parts Drawing



GASKET		
Part No.	Material	Color
7010-08 1	Silicon	White
7010-08 2	EPDM	Black
7010-08 3	FPM	Black

Item	Description	Material	Qty
1	Frame	1.4301/1.4404	1
2	Cover	1.4301/1.4404	1
3	Gasket	Silicon	1
4	Arm	T304	1
5	Handle	T304	2
6	Swing bolt	T304	2
7	Nut	T304	8
8	Screw	T304	4
9	Back hinge support	T304	2
10	Screw	T304	1
11	Spring	T304	2

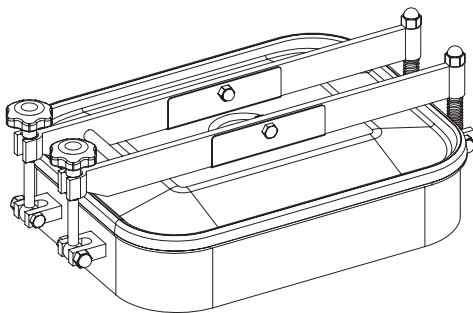
R2D Technology

TECHNICAL DATA

Working pressure:Acc. to table standard size.

Certificates

EN10204. 3.1 certificate



Options

Stainless Steel Finishes

POLISHED WITH RA (μ)

BEAD BLASTED

PICKLED : ON REQUEST

ELECTRO POLISHED

Cover & Frame Range

Cover Thickness	Frame/Neck Height
2.0mm	70mm (2.75")
2.5mm	100mm (3.94")
3.0mm	120mm (4.72")

Note: Longer heights are also available.