






-  Rectangular manwaydoor inwards opening
-  Porte rectangulaire avec ouverture à l'intérieur
-  Rechteckige Mannlochtür, schwenkbar nach innen (Innenöffnung)
-  Puerta rectangular de apertura interna
-  Portella rettangolare apertura interna



◆ 7042 435

◆ 7042 535

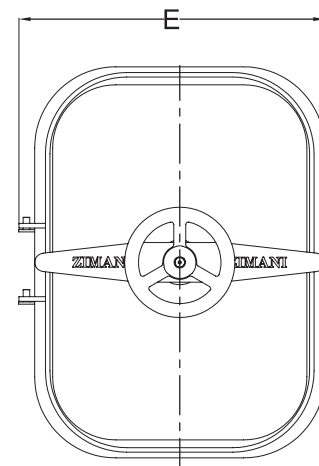
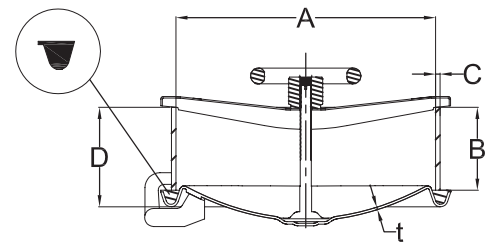


STANDARD SIZE/* At temperature 50°C /122 °F

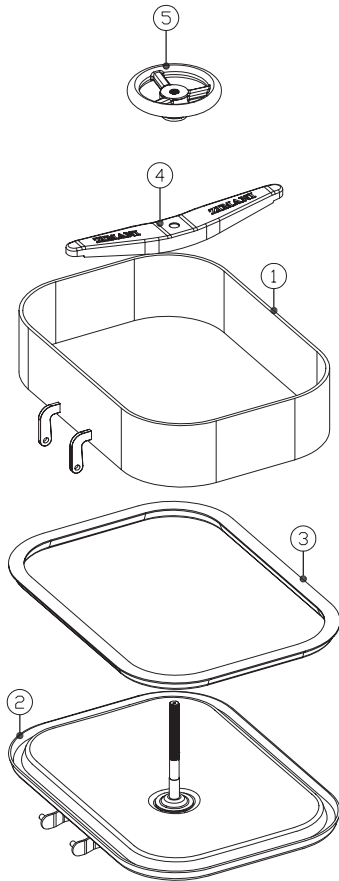
CODE	A	C	B	T	P.MAX
	mm	mm	mm	mm	bar
7042 435	419×319	8.0	70	3.0	1.0
7042 535	519×399	8.0	70	3.0	0.7

IF YOU WANT TO CHECK FOR MORE DETAILS
PLEASE CHECK THE FOLLOWING DRAWING

*1BAR ≈14.5PSI≈0.1MPA



RIW Parts Drawing



GASKET		
Part No.	Material	Color
7010-05 1	Silicon	White
7010-05 2	EPDM	Black
7010-05 3	FPM	Black

Item	Description	Material	Qty
1	Frame	1.4301/1.4404	1
2	Cover	1.4301/1.4404	1
3	Gasket	Silicon	1
4	Toggle	T304	1
5	Hand wheel	Plastic/T304	1

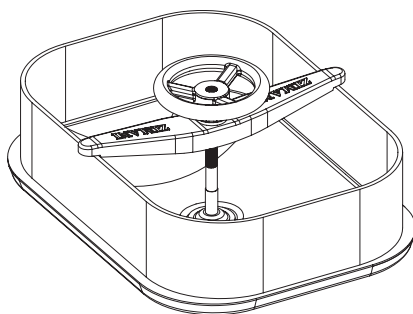
RIW Technology

TECHNICAL DATA

Working pressure: Acc. to table standard size.

Certificates

EN10204. 3.1 certificate



Options

Stainless Steel Finishes

POLISHED WITH RA (μ)

BEAD BLASTED

PICKLED : ON REQUEST

ELECTRO POLISHED

Cover & Frame Range

Cover Thickness	Frame/Neck Height
2.0mm	60mm (2.36")
2.5mm	100mm (3.94")
3.0mm	120mm (4.72")

Note: Longer heights are also available.