






-  Non-pressure hygienic access covers
-  Trappes aseptiques sans pression
-  Drucklose Domdeckel, steril
-  Bocas de hombre asépticas sin presión
-  Chiusino circolare



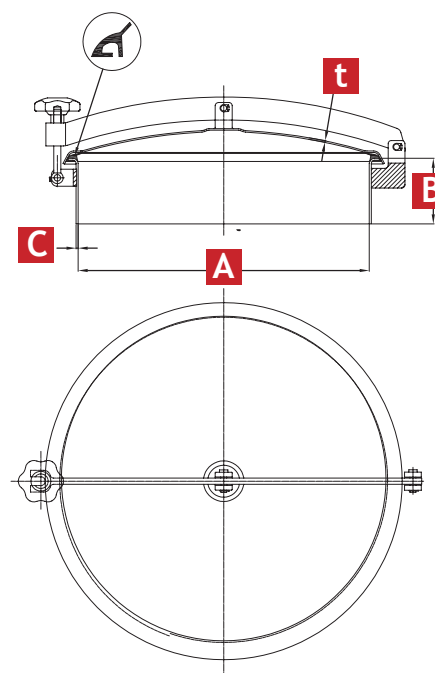
- ◆ 7011 200
- ◆ 7011 219
- ◆ 7011 300
- ◆ 7011 350
- ◆ 7011 400
- ◆ 7011 430
- ◆ 7011 450
- ◆ 7011 500
- ◆ 7011 600
- ◆ 7011 700



STANDARD SIZE/* At temperature 50°C /122 °F

CODE	A	OD×C	B	t	P.MAX
	mm	mm	mm	mm	bar
7011 200	195	200×2.5	100	2.0	0.2
7011 219	214	219×2.5	100	2.0	0.2
7011 300	295	300×2.5	100	2.0	0.18
7011 350	345	350×2.5	100	2.0	0.15
7011 400	394	400×3.0	100	2.5	0.12
7011 430	424	430×3.0	100	2.5	0.1
7011 450	444	450×3.0	100	2.5	0.1
7011 500	494	500×3.0	100	2.5	0
7011 600	594	600×4.0	100	3.0	0
7011 700	694	700×4.0	100	3.0	0

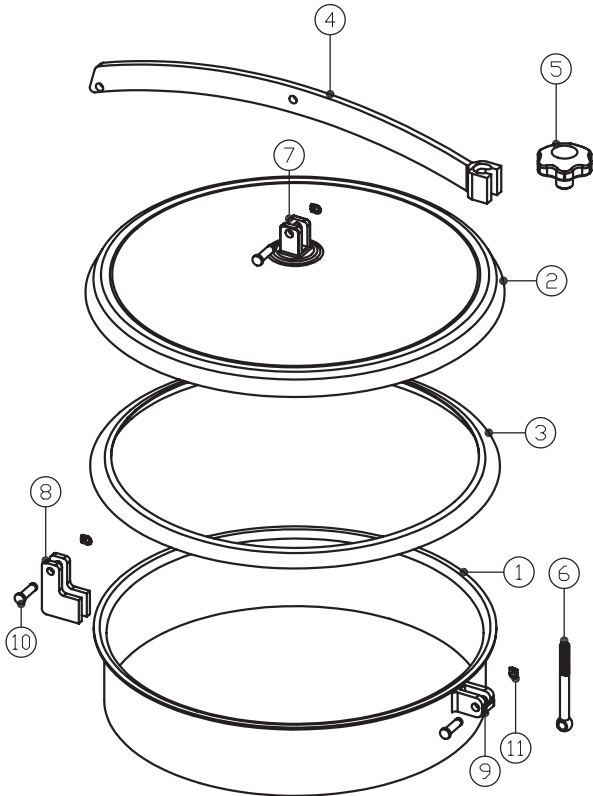
Manway with sigh glass



IF YOU WANT TO CHECK FOR MORE DETAILS
PLEASE CHECK THE FOLLOWING DRAWING

*1BAR =14.5PSI=0.1MPA

NPDC Parts Drawing



GASKET

Part No.	Material	Color
7010-01 1	Silicon	White
7010-01 2	EPDM	Black
7010-01 3	FPM	Black

Item	Description	Material	Qty
1	Frame	1.4301/1.4404	1
2	Cover	1.4301/1.4404	1
3	Gasket	Silicon	1
4	Bracket	304	1
5	Handle	Plastic/T304	1
6	Swing bolt	T304	1
7	Up hinge Support	T304	1
8	Back hinge Support	T304	1
9	Front hinge Support	T304	1
10	Pin	T304	3
11	Lock ring	T304	3

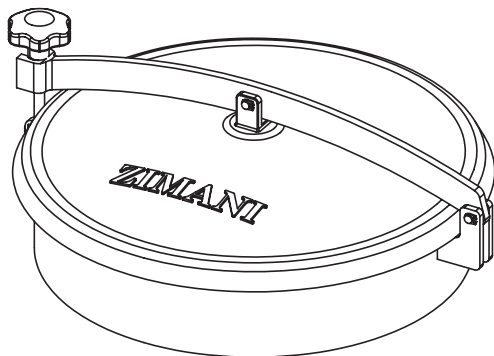
NPDC Technology

TECHNICAL DATA

Working pressure: Acc. to table standard size.

Certificates

EN10204. 3.1 certificate



Options

Stainless Steel Finishes

POLISHED WITH RA (μ)

BEAD BLASTED






PICKLED : ON REQUEST

ELECTRO POLISHED

Cover & Frame Range

Cover Thickness	Frame/Neck Height
2.0mm	85mm (3.35")
2.5mm	100mm (3.94")
3.0mm	120mm (4.72")
	150mm (5.91")
	200mm (7.76")
	250mm (9.85")

Note: Longer heights are also available.

-  Non-pressure hygienic access covers
-  Trappes aseptiques sans pression
-  Drucklose Domdeckel, steril
-  Bocas de hombre asépticas sin presión
-  Chiusino circolare



- ◆ 7012 219
- ◆ 7012 300
- ◆ 7012 350
- ◆ 7012 400
- ◆ 7012 430
- ◆ 7012 450
- ◆ 7012 500
- ◆ 7012 600

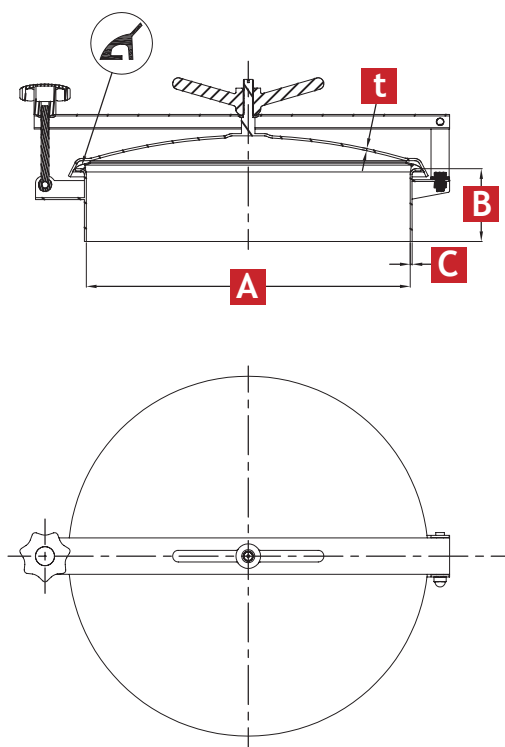


STANDARD SIZE/* At temperature 50°C /122 °F

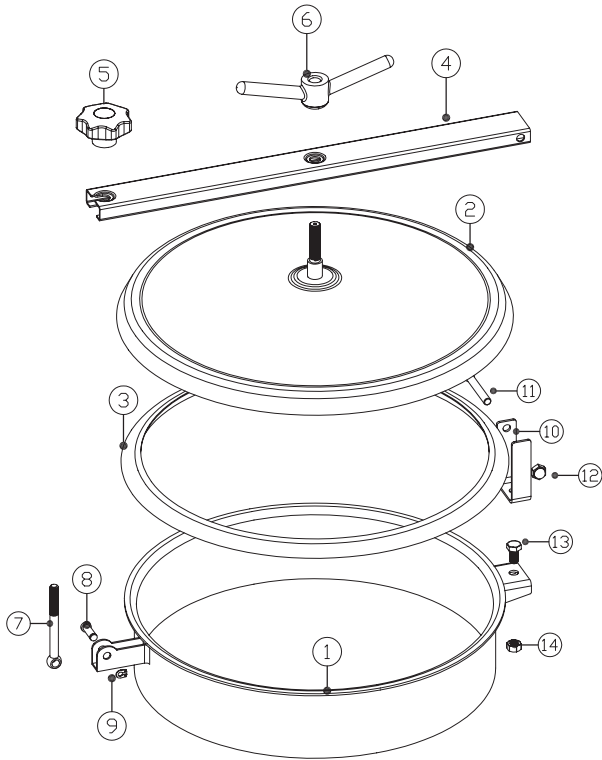
CODE	A	OD×C	B	t	P.MAX
	mm	mm	mm	mm	bar
7012 219	214	219×2.5	100	2.0	0.2
7012 300	294	300×2.5	100	2.0	0.18
7012 350	344	350×2.5	100	2.0	0.15
7012 400	394	400×3.0	100	2.5	0.12
7012 430	424	430×3.0	100	2.5	0.1
7012 450	444	450×3.0	100	2.5	0.1
7012 500	494	500×3.0	100	2.5	0
7012 600	594	600×4.0	100	3.0	0

IF YOU WANT TO CHECK FOR MORE DETAILS
PLEASE CHECK THE FOLLOWING DRAWING

*1BAR ≈14.5PSI=0.1MPA



NPDD Parts Drawing



GASKET

Part No.	Material	Color
7010-01 1	Silicon	White
7010-01 2	EPDM	Black
7010-01 3	FPM	Black

Item	Description	Material	Qty
1	Frame	1.4301/1.4404	1
2	Cover	1.4301/1.4404	1
3	Gasket	Silicon	1
4	Bracket	304	1
5	Handle	Plastic/T304	1
6	Nut	T304	1
7	Swing bolt	T304	1
8	Pin	T304	1
9	Lock ring	T304	1
10	Back hinge support	T304	1
11	Screw	T304	1
12	Nut	T304	1
13	Screw	T304	1
14	Nut	T304	1

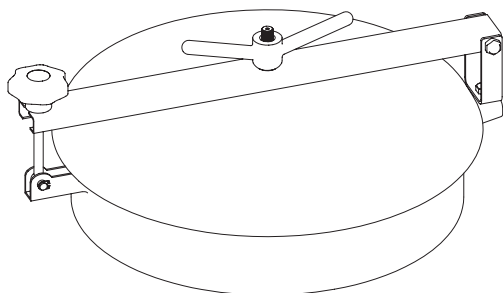
NPDD Technology

TECHNICAL DATA

Working pressure:Acc. to table standard size.

Certificates

EN10204. 3.1 certificate



Options

Stainless Steel Finishes

POLISHED WITH RA (μ)

BEAD BLASTED






PICKLED : ON REQUEST

ELECTRO POLISHED

Cover & Frame Range

Cover Thickness	Frame/Neck Height
2.0mm	85mm (3.35")
2.5mm	100mm (3.94")
3.0mm	120mm (4.72")
	150mm (5.91")
	200mm (7.76")
	250mm (9.85")

Note: Longer heights are also available.

-  Non-pressure hygienic access covers
-  Trappes aseptiques sans pression
-  Drucklose Domdeckel, steril
-  Bocas de hombre asépticas sin presión
-  Chiusino circolare



- ◆ 7013 219
- ◆ 7013 300
- ◆ 7013 350
- ◆ 7013 400
- ◆ 7013 430
- ◆ 7013 450
- ◆ 7013 500
- ◆ 7013 600

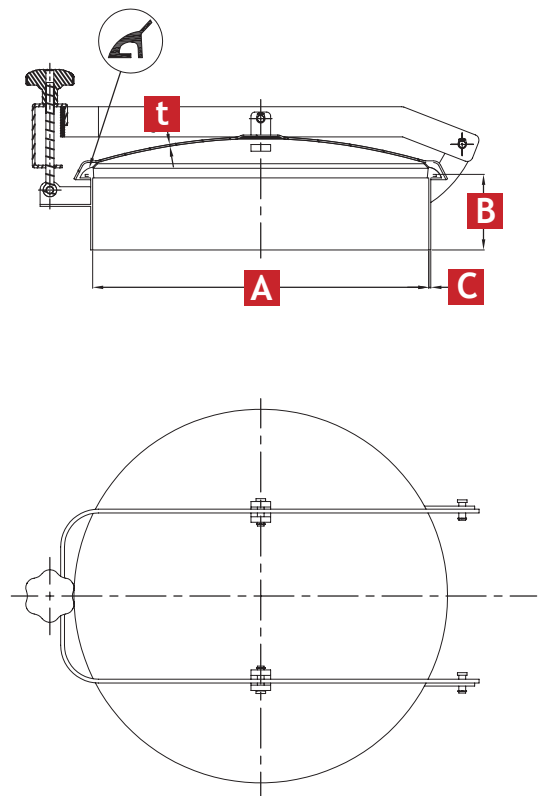


STANDARD SIZE/* At temperature 50°C /122 °F

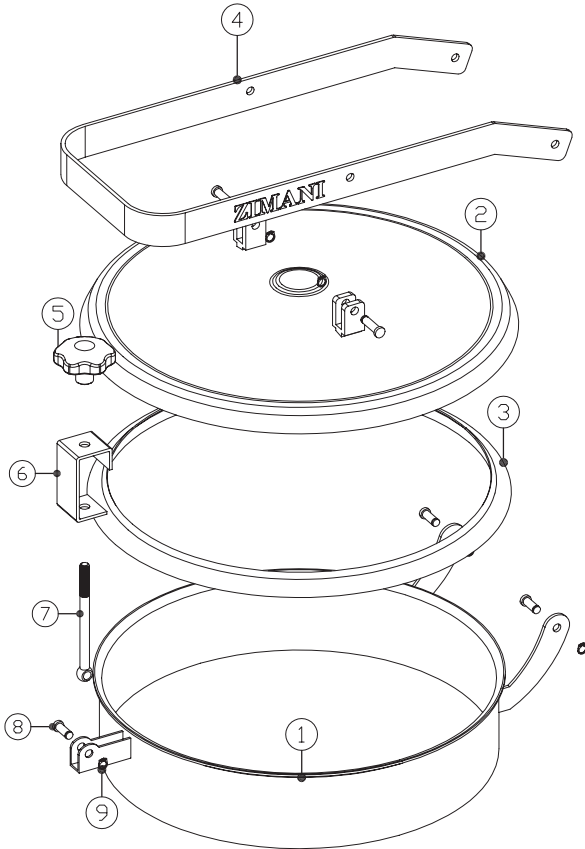
CODE	A	OD×C	B	t	P.MAX
	mm	mm	mm	mm	bar
7013 219	214	219×2.5	100	2.0	0.3
7013 300	294	300×2.5	100	2.0	0.22
7013 350	344	350×2.5	100	2.0	0.18
7013 400	394	400×3.0	100	2.5	0.16
7013 430	424	430×3.0	100	2.5	0.15
7013 450	444	450×3.0	100	2.5	0.12
7013 500	494	500×3.0	100	2.5	0.1
7013 600	594	600×4.0	100	3.0	0

IF YOU WANT TO CHECK FOR MORE DETAILS
PLEASE CHECK THE FOLLOWING DRAWING

*1BAR ≈14.5PSI≈0.1MPA



NPDE Parts Drawing



GASKET

Part No.	Material	Color
7010-01 1	Silicon	White
7010-01 2	EPDM	Black
7010-01 3	FPM	Black

Item	Description	Material	Qty
1	Frame	1.4301/1.4404	1
2	Cover	1.4301/1.4404	1
3	Gasket	Silicon	1
4	Bracket	304	1
5	Handle	Plastic/T304	1
6	Front hinge support	T304	1
7	Swing bolt	T304	1
8	Pin	T304	5
9	Lock ring	T304	5

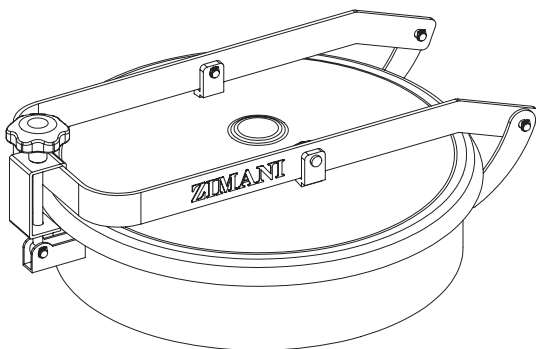
NPDE Technology

TECHNICAL DATA

Working pressure: Acc. to table standard size.

Certificates

EN10204. 3.1 certificate



Options

Stainless Steel Finishes

POLISHED WITH RA (μ)

BEAD BLASTED






PICKLED : ON REQUEST

ELECTRO POLISHED

Cover & Frame Range

Cover Thickness	Frame/Neck Height
2.0mm	85mm (3.35")
2.5mm	100mm (3.94")
3.0mm	120mm (4.72")
	150mm (5.91")
	200mm (7.76")
	250mm (9.85")

Note: Longer heights are also available.

-  Non-pressure hygienic access covers
-  Trappes sans pression
-  Drucklose Domdeckel
-  Bocas de hombre sin presión
-  Chiusino circolare



- ◆ 7014 350
- ◆ 7014 400
- ◆ 7014 430
- ◆ 7014 450
- ◆ 7014 500
- ◆ 7014 600

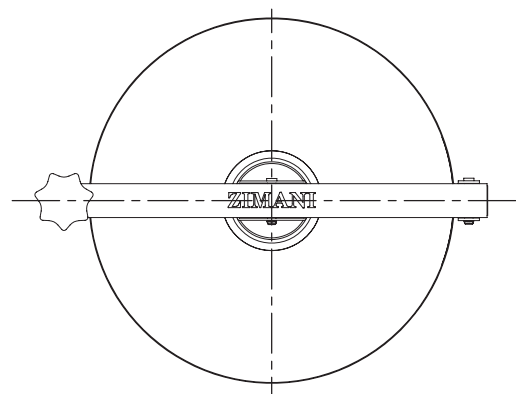
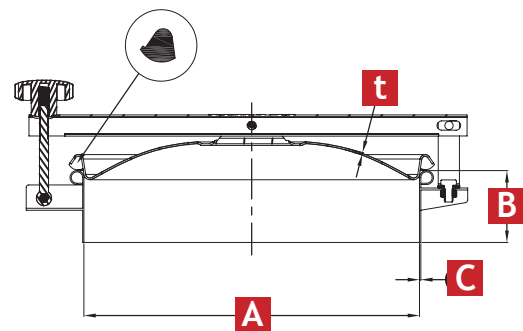


STANDARD SIZE/* At temperature 50°C /122 °F

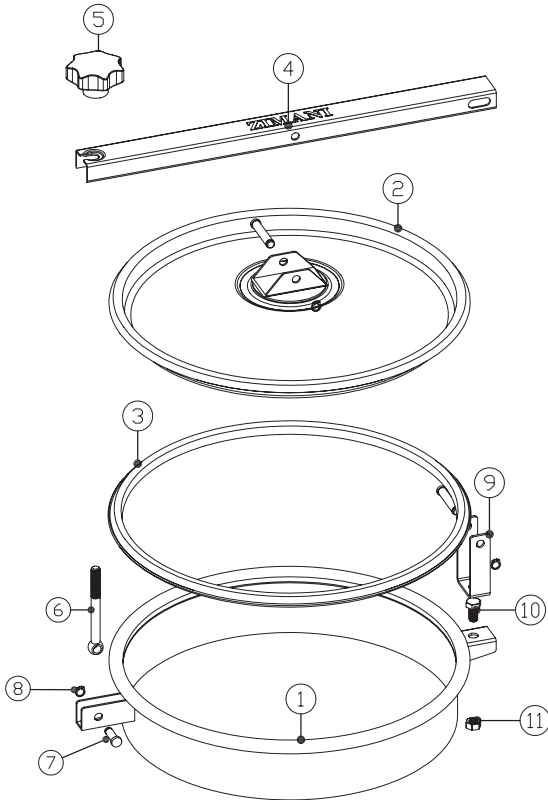
CODE	A	OD×C	B	t	P.MAX
	mm	mm	mm	mm	bar
7014 350	346	350×2.0	85	2.0	0.15
7014 400	396	400×2.0	85	2.0	0.12
7014 430	426	430×2.0	85	2.0	0.11
7014 450	446	450×2.0	85	2.0	0.07
7014 500	496	500×2.0	85	2.0	0.05
7014 600	596	600×2.0	85	2.0	0

IF YOU WANT TO CHECK FOR MORE DETAILS
PLEASE CHECK THE FOLLOWING DRAWING

*1BAR ≈14.5PSI=0.1MPA



CNPC Parts Drawing



GASKET

Part No.	Material	Color
7010-03 1	Silicon	White
7010-03 2	EPDM	Black
7010-03 3	FPM	Black

Item	Description	Material	Qty
1	Frame	1.4301/1.4404	1
2	Cover	1.4301/1.4404	1
3	Gasket	Silicon	1
4	Bracket	T304	1
5	Handle	Plastic/T304	1
6	Swing bolt	T304	1
7	Pin	T304	3
8	Lock ring	T304	3
9	Back hinge support	T304	1
10	Screw	T304	1
11	Nut	T304	1

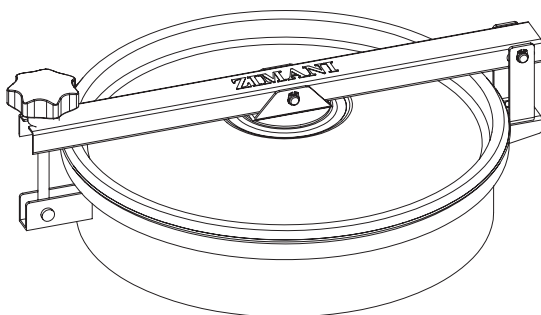
CNPC Technology

TECHNICAL DATA

Working pressure: Acc. to table standard size.

Certificates

3.1 certificate



Options

Stainless Steel Finishes

POLISHED WITH RA (μ)

BEAD BLASTED






PICKLED : ON REQUEST

ELECTRO POLISHED

Cover & Frame Range

Cover Thickness	Frame/Neck Height
2.0mm	85mm (3.35")
2.5mm	100mm (3.94")
	120mm (4.72")
	150mm (5.91")
	200mm (7.76")
	250mm (9.85")

Note: Longer heights are also available.

-  Non-pressure hygienic access covers
-  Trappes sans pression
-  Drucklose Domdeckel
-  Bocas de hombre sin presión
-  Chiusino circolare



- ◆ 7015 350
- ◆ 7015 400
- ◆ 7015 450

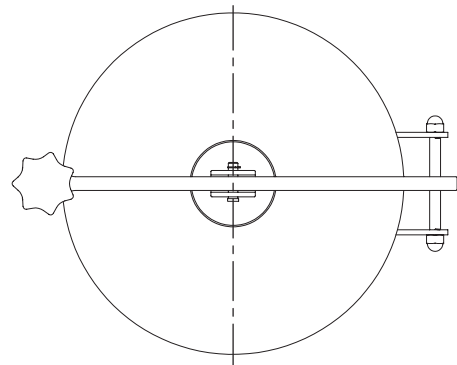
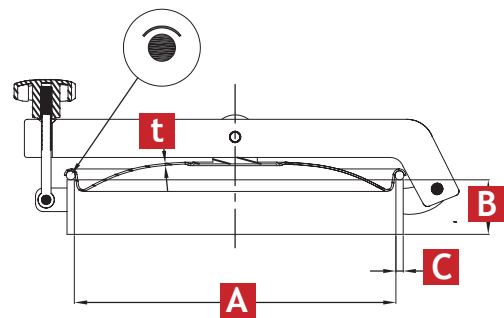


STANDARD SIZE/* At temperature 50°C /122 °F

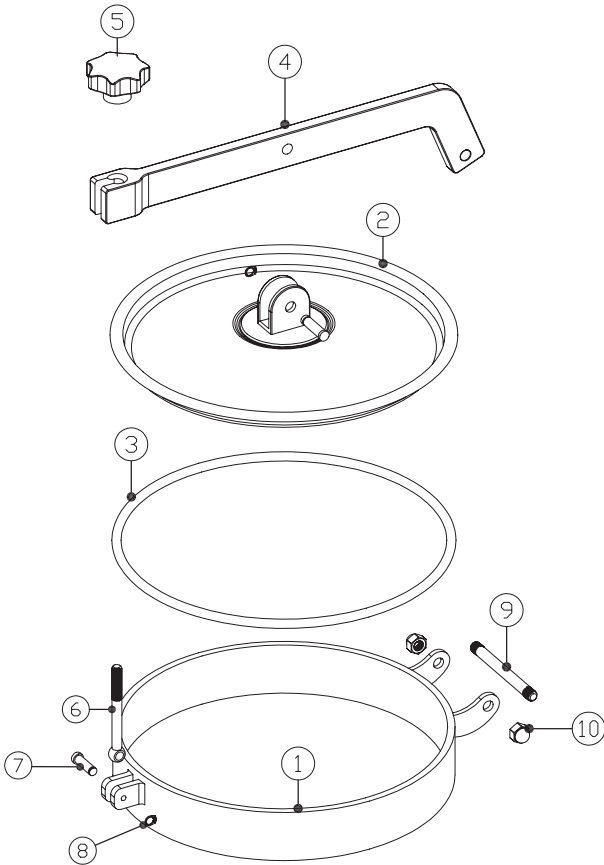
CODE	A	OD×C	B	t	P.MAX
	mm	mm	mm	mm	bar
7015 350	334	350×8.0	85	2.0	0.2
7015 400	384	400×8.0	85	2.0	0.12
7015 450	434	450×8.0	85	2.0	0.1

IF YOU WANT TO CHECK FOR MORE DETAILS
PLEASE CHECK THE FOLLOWING DRAWING

*1BAR ≈14.5PSI=0.1MPA



CNPD Parts Drawing



GASKET

Part No.	Material	Color
7010-02 1	Silicon	White
7010-02 2	EPDM	Black
7010-02 3	FPM	Black

Item	Description	Material	Qty
1	Frame	1.4301/1.4404	1
2	Cover	1.4301/1.4404	1
3	Gasket	Silicon	1
4	Bracket	T304	1
5	Handle	Plastic/T304	1
6	Swing bolt	T304	1
7	Pin	T304	2
8	Lock ring	T304	2
9	Screw	T304	1
10	Nut	T304	2

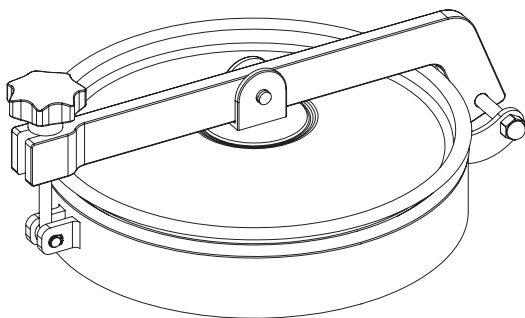
CNPD Technology

TECHNICAL DATA

Working pressure: Acc. to table standard size.

Certificates

3.1 certificate



Options

Stainless Steel Finishes

POLISHED WITH RA (μ)

BEAD BLASTED






PICKLED : ON REQUEST

ELECTRO POLISHED

Cover & Frame Range

Cover Thickness	Frame/Neck Height
2.0mm	85mm (3.35")
2.5mm	100mm (3.94")
	120mm (4.72")

Note: Longer heights are also available.

-  Non-pressure hygienic access covers
-  Trappes sans pression
-  Drucklose Domdeckel
-  Bocas de hombre sin presión
-  Chiusino circolare



- ◆ 7016 450
- ◆ 7016 500
- ◆ 7016 600

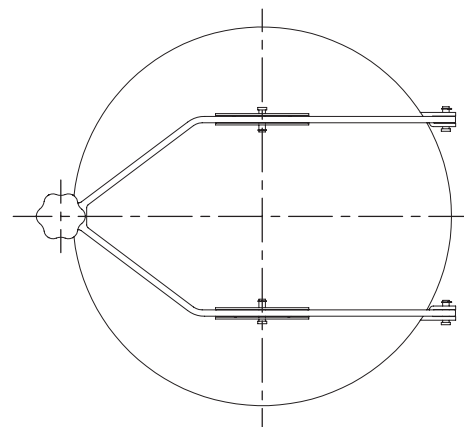
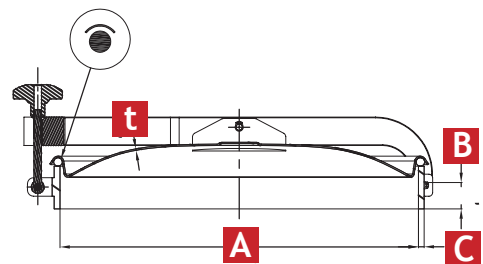


STANDARD SIZE/* At temperature 50°C /122 °F

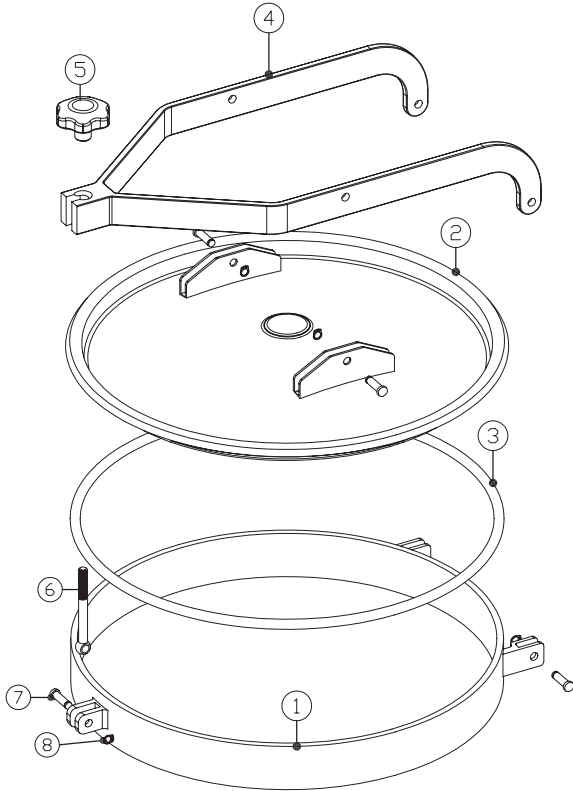
CODE	A	OD×C	B	t	P.MAX
	mm	mm	mm	mm	bar
7016 450	434	450×8.0	85	2.0	0.4
7016 500	484	500×8.0	85	2.0	0.3
7016 600	584	600×8.0	85	2.0	0.2

IF YOU WANT TO CHECK FOR MORE DETAILS
PLEASE CHECK THE FOLLOWING DRAWING

*1BAR ≈14.5PSI=0.1MPA



CNPE Parts Drawing



GASKET

Part No.	Material	Color
7010-02 1	Silicon	White
7010-02 2	EPDM	Black
7010-02 3	FPM	Black

Item	Description	Material	Qty
1	Frame	1.4301/1.4404	1
2	Cover	1.4301/1.4404	1
3	Gasket	Silicon	1
4	Bracket	T304	1
5	Handle	Plastic/T304	1
6	Swing bolt	T304	1
7	Pin	T304	4
8	Lock ring	T304	4

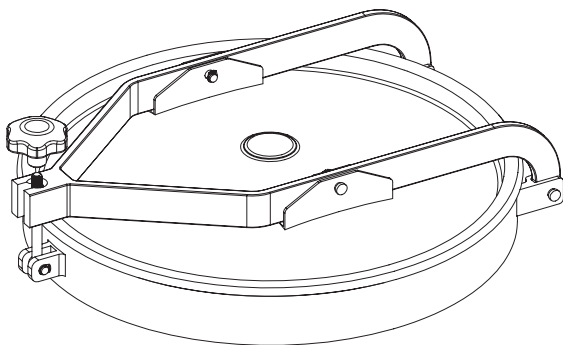
CNPE Technology

TECHNICAL DATA

Working pressure:Acc. to table standard size.

Certificates

3.1 certificate



Options

Stainless Steel Finishes

POLISHED WITH RA (μ)

BEAD BLASTED

PICKLED : ON REQUEST

ELECTRO POLISHED






Cover & Frame Range

Cover Thickness	Frame/Neck Height
-----------------	-------------------

2.0mm	85mm (3.35")
-------	--------------

2.5mm	100mm (3.94")
-------	---------------

Note: Longer heights are also available.

-  Round manhole cover with back-side opening
-  Trappe RONDE avec ouverture par renversement
-  Runder Domdeckel, nach außen öffnend
-  Tapa circular con apertura vertical
-  Chiusino circolare apertura a ribaltamento



- ◆ 7017 350
- ◆ 7017 400
- ◆ 7017 430
- ◆ 7017 450
- ◆ 7017 500
- ◆ 7017 600

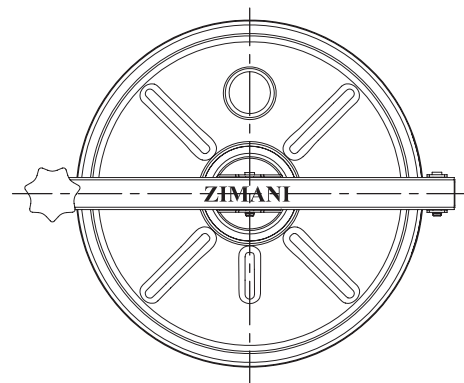
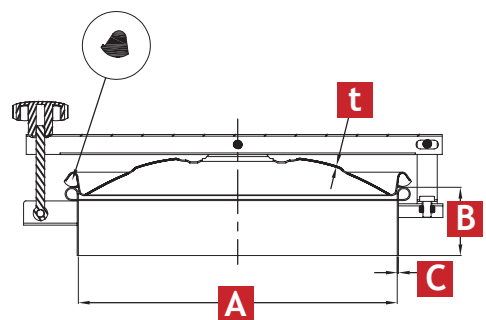


STANDARD SIZE/* At temperature 50°C /122 °F

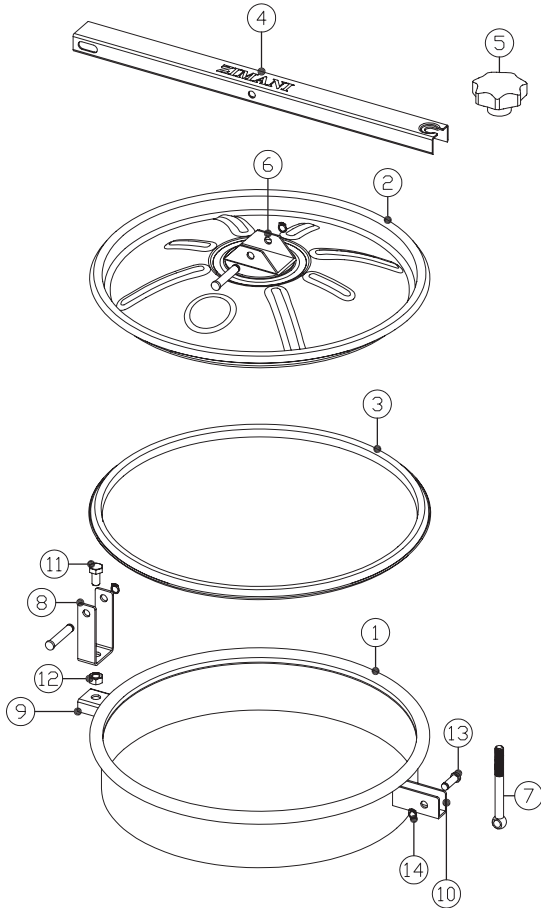
CODE	A	OD×C	B	t	P.MAX
	mm	mm	mm	mm	bar
7017 350	346	350×2.0	85	2.0	0.3
7017 400	396	400×2.0	85	2.0	0.2
7017 430	426	430×2.0	85	2.0	0.15
7017 450	446	450×2.0	85	2.0	0.12
7017 500	496	500×2.0	85	2.0	0.07
7017 600	596	600×2.0	85	2.0	0

IF YOU WANT TO CHECK FOR MORE DETAILS
PLEASE CHECK THE FOLLOWING DRAWING

*1BAR =14.5PSI=0.1MPA



SERC Parts Drawing



GASKET

Part No.	Material	Color
7010-03 1	Silicon	White
7010-03 2	EPDM	Black
7010-03 3	FPM	Black

Item	Description	Material	Qty
1	Frame	1.4301/1.4404	1
2	Cover	1.4301/1.4404	1
3	Gasket	Silicon	1
4	Bracket	304	1
5	Handle	Plastic/T304	1
6	Up hinge support	T304	1
7	Swing bolt	T304	1
8	Back hinge support	T304	1
9	Back hinge support	T304	1
10	Front hinge support	T304	1
11	Screw	T304	1
12	Nut	T304	1
13	Pin	T304	3
14	Lock ring	T304	3

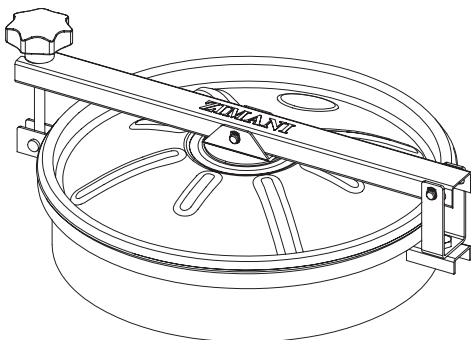
SERC Technology

TECHNICAL DATA

Working pressure:Acc. to table standard size.

Certificates

3.1 certificate



Options

Stainless Steel Finishes

POLISHED WITH RA (μ)

BEAD BLASTED






PICKLED : ON REQUEST

ELECTRO POLISHED

Cover & Frame Range

Cover Thickness	Frame/Neck Height
2.0mm	85mm (3.35")
2.5mm	100mm (3.94")
	120mm (4.72")
	150mm (5.91")
	200mm (7.76")
	250mm (9.85")

Note: Longer heights are also available.

-  Round manwaydoor, opening outwards
-  Porte ronde avec ouverture à l'extérieur
-  Runder Mannlochtür, schwenkbar nach außen (außenöffnung)
-  Puerta circular de apertura externa
-  Portella circolare ad apertura esterna



- ◆ 7018 350
- ◆ 7018 400
- ◆ 7018 430
- ◆ 7018 450
- ◆ 7018 500
- ◆ 7018 600

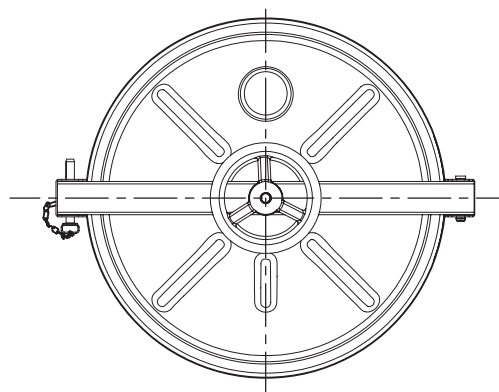
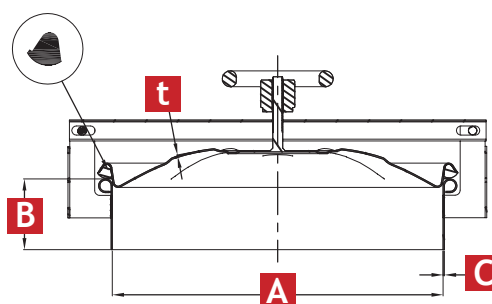


STANDARD SIZE/* At temperature 50°C /122 °F

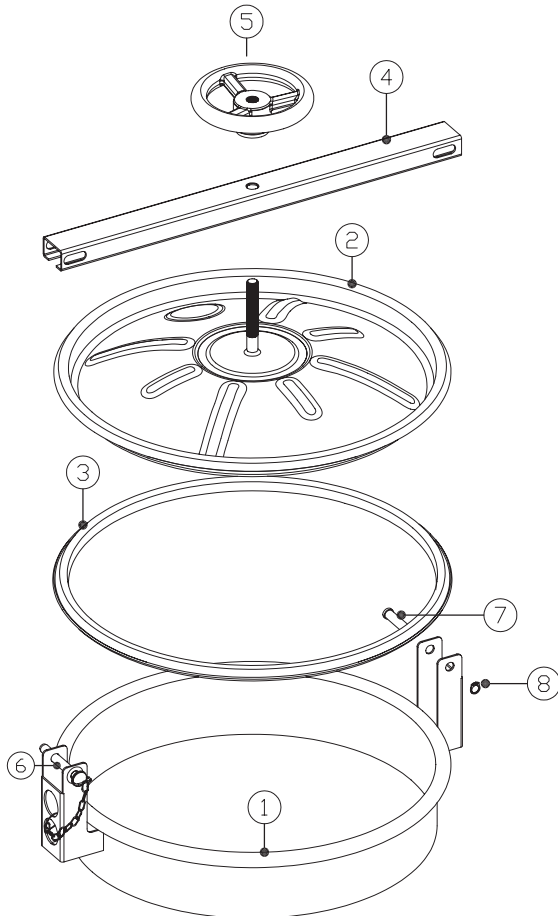
CODE	A	OD×C	B	t	P.MAX
	mm	mm	mm	mm	bar
7018 350	346	350×2.0	85	2.0	0.2
7018 400	396	400×2.0	85	2.0	0.15
7018 430	426	430×2.0	85	2.0	0.15
7018 450	446	450×2.0	85	2.0	0.1
7018 500	496	500×2.0	85	2.0	0.1
7018 600	596	600×2.0	85	2.0	0

IF YOU WANT TO CHECK FOR MORE DETAILS
PLEASE CHECK THE FOLLOWING DRAWING

*1BAR ≈14.5PSI=0.1MPA



SERD Parts Drawing



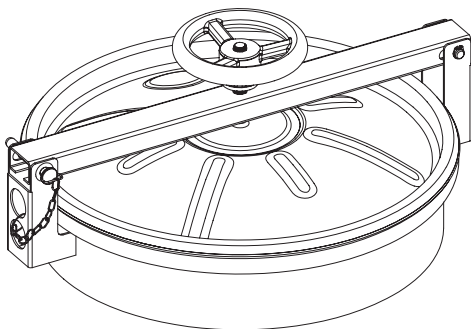
SERD Technology

TECHNICAL DATA

Working pressure: Acc. to table standard size.

Certificates

3.1 certificate



GASKET

Part No.	Material	Color
7010-03 1	Silicon	White
7010-03 2	EPDM	Black
7010-03 3	FPM	Black

Item	Description	Material	Qty
1	Frame	1.4301/1.4404	1
2	Cover	1.4301/1.4404	1
3	Gasket	Silicon	1
4	Bracket	304	1
5	Hand wheel	Plastic/T304	1
6	Pin Lock	T304	1
7	Pin	T304	1
8	Lock ring	T304	1

Options

Stainless Steel Finishes

POLISHED WITH RA (μ)

BEAD BLASTED






PICKLED : ON REQUEST

ELECTRO POLISHED

Cover & Frame Range

Cover Thickness	Frame/Neck Height
2.0mm	85mm (3.35")
2.5mm	100mm (3.94")
	120mm (4.72")
	150mm (5.91")
	200mm (7.76")
	250mm (9.85")

Note: Longer heights are also available.

-  Round manhole cover with glass pane
-  Trappe ronde avec le verre
-  Runder Domdeckel mit Glasscheibe
-  Tapa circular con el vidrio
-  Chiusino circolare con vetro



- ◆ 7019 450
- ◆ 7019 500
- ◆ 7019 550
- ◆ 7019 600

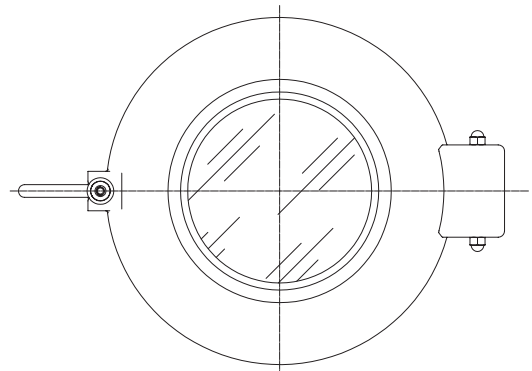
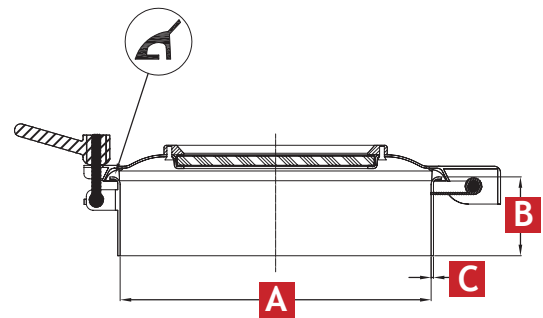


STANDARD SIZE/* At temperature 50°C /122 °F

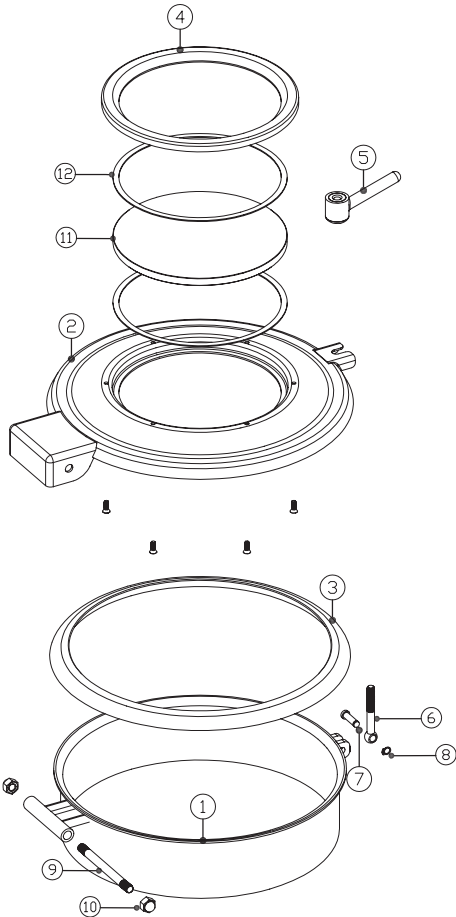
CODE	A	OD×C	B	P.MAX
	mm	mm	mm	bar
7019 450	444	450×3.0	100	0.2
7019 500	494	500×3.0	100	0.15
7019 550	544	550×3.0	100	0.07
7019 600	594	600×3.0	100	0

IF YOU WANT TO CHECK FOR MORE DETAILS
PLEASE CHECK THE FOLLOWING DRAWING

*1BAR ≈14.5PSI=0.1MPA



NLIW Parts Drawing



GASKET

Part No.	Material	Color
7010-01 1	Silicon	White
7010-01 2	EPDM	Black
7010-01 3	FPM	Black

Item	Description	Material	Qty
1	Frame	1.4301/1.4404	1
2	Cover	1.4301/1.4404	1
3	Gasket	Silicon	1
4	Top flange	T304	1
5	Handle	1.4301	1
6	Swing bolt	T304	1
7	Pin	T304	1
8	Lock ring	T304	1
9	Screw	T304	1
10	Nut	T304	2
11	Glass	Tempered glass	1
12	Seal	PTFE	2

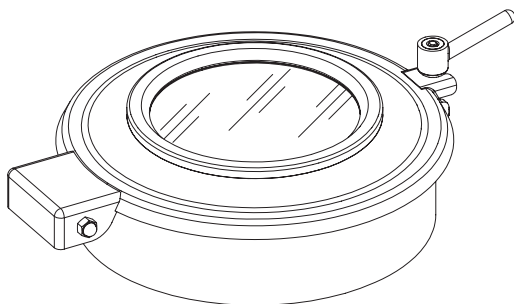
NLIW Technology

TECHNICAL DATA

Working pressure: Acc. to table standard size

Certificates

EN10204. 3.1 certificate



Options

Stainless Steel Finishes

POLISHED WITH RA (μ)

BEAD BLASTED






PICKLED : ON REQUEST

ELECTRO POLISHED

Cover & Frame Range

Cover Thickness	Frame/Neck Height
2.5mm	85mm (3.35")
3.0mm	100mm (3.94")
	120mm (4.72")
	150mm (5.91")
	200mm (7.76")
	250mm (9.85")

Note: Longer heights are also available.

-  Round pressure covers with glass pane
-  Trappe hublot à pression avec le verre
-  Runder Druckdeckel mit Glasscheibe
-  Tapa circular a presión con el vidrio
-  Chiusino circolare a pressione con vetro



- ◆ 7020 200
- ◆ 7020 300
- ◆ 7020 400
- ◆ 7020 450
- ◆ 7020 500
- ◆ 7020 600

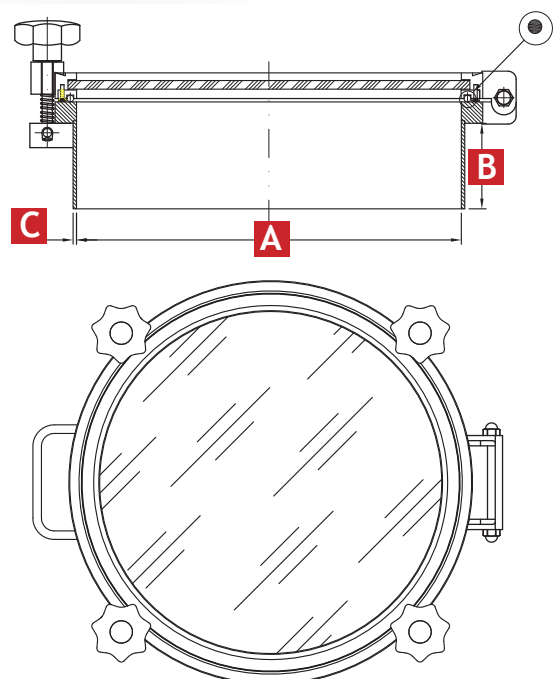


STANDARD SIZE/* At temperature 50°C /122 °F

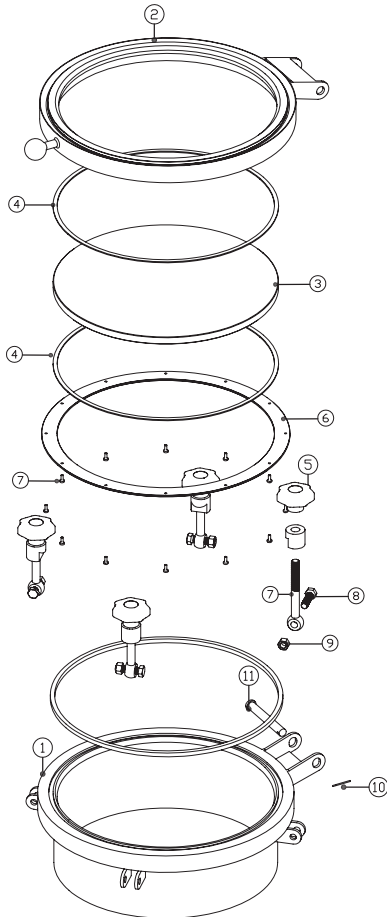
CODE	A	OD×C	BOLTS	B	P.MAX
	mm	mm	No. of	mm	bar
7020 200	200	208×4.0	4	100	2.5
7020 300	300	308×4.0	4	100	2.0
7020 400	400	408×4.0	4/6	100	1.5
7020 450	450	458×4.0	4/6	100	1.5
7020 500	500	508×4.0	6/8/10	100	1.0
7020 600	600	608×4.0	6/8/10	100	0.5

IF YOU WANT TO CHECK FOR MORE DETAILS
PLEASE CHECK THE FOLLOWING DRAWING

*1BAR ≈14.5PSI=0.1MPA



LIWI Parts Drawing



GASKET		
Part No.	Material	Color
7010-04 1	Silicon	White
7010-04 2	EPDM	Black
7010-04 3	FPM	Black

Item	Description	Material	Qty
1	Frame	1.4301/1.4404	1
2	Cover	1.4301/1.4404	1
3	Glass	Tempered glass	1
4	Seal	PTFE	2
5	Handle	Plastic/1.4301	4
6	Flange	T304	1
7	Swing bolt	T304	4
8	Screw	T304	4
9	Nut	T304	4
10	Cotter Pin	T304	1
11	Pin	T304	1

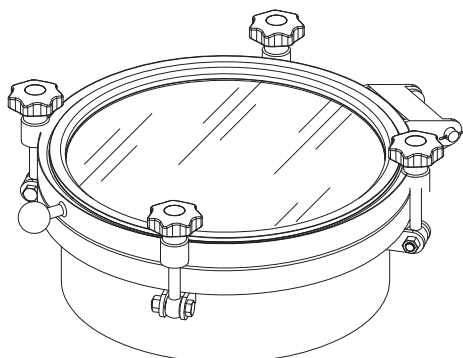
LIWI Technology

TECHNICAL DATA

Working pressure: Acc. to table standard size.

Certificates

EN10204. 3.1 certificate



Options

Stainless Steel Finishes

POLISHED WITH RA (μ)

BEAD BLASTED






PICKLED : ON REQUEST

ELECTRO POLISHED

Cover & Frame Range

Cover Thickness	Frame/Neck Height
20mm	85mm (3.35")
22mm	100mm (3.94")
35mm	120mm (4.72")
	150mm (5.91")
	200mm (7.76")
	250mm (9.85")

Note: Longer heights are also available.

-  Round pressure covers with glass pane
-  Trappe hublot à pression avec le verre
-  Runder Druckdeckel mit Glasscheibe
-  Tapa circular a presión con el vidrio
-  Chiusino circolare a pressione con vetro



- ◆ 7021 200
- ◆ 7021 300
- ◆ 7021 400
- ◆ 7021 450
- ◆ 7021 500
- ◆ 7021 600

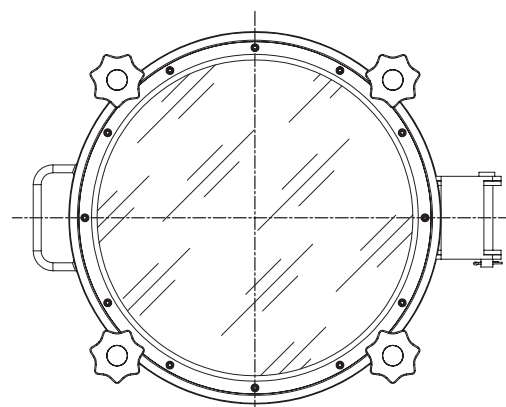
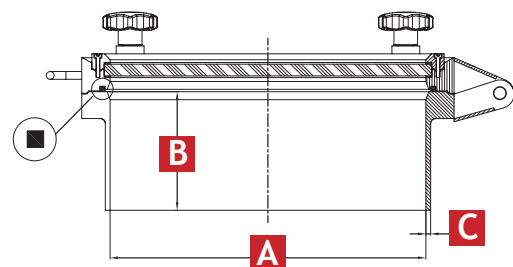


STANDARD SIZE/* At temperature 50°C /122 °F

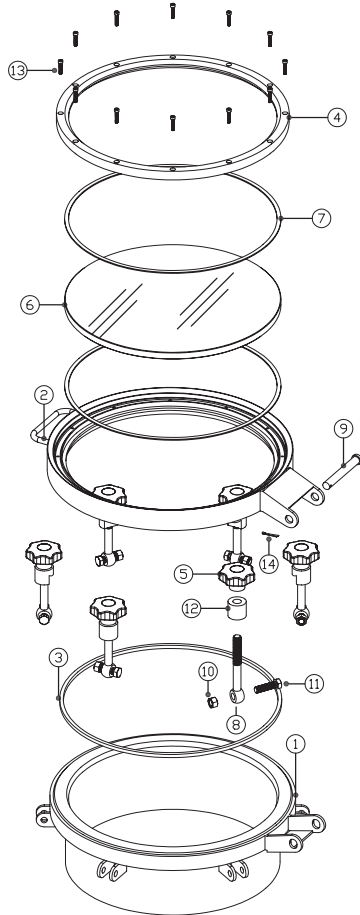
CODE	A	OD×C	BOLTS	B	P.MAX
	mm	mm	No. of	mm	bar
7020 200	200	208×4.0	4	100	2.5
7020 300	300	308×4.0	4	100	2.0
7020 400	400	408×4.0	4/6	100	1.5
7020 450	450	458×4.0	4/6	100	1.5
7020 500	500	508×4.0	6/8/10	100	1.0
7020 600	600	608×4.0	6/8/10	100	0.5

IF YOU WANT TO CHECK FOR MORE DETAILS
PLEASE CHECK THE FOLLOWING DRAWING

*1BAR ≈14.5PSI=0.1MPA



LIWEI Parts Drawing



GASKET		
Part No.	Material	Color
7010-04 1	Silicon	White
7010-04 2	EPDM	Black
7010-04 3	FPM	Black

Item	Description	Material	Qty
1	Frame	1.4301/1.4404	1
2	Cover	1.4301/1.4404	1
3	Gasket	Silicon	1
4	Flange	T304	1
5	Handle	Plastic/1.4301	6
6	Sight glass	Tempered glass	1
7	Seal	PTFE	2
8	Swing bolt	T304	6
9	Pin	T304	1
10	Nut	T304	6
11	Screw	T304	6
12	Hub	T304	6
13	Screw	T304	12
14	Cotter Pin	T304	1

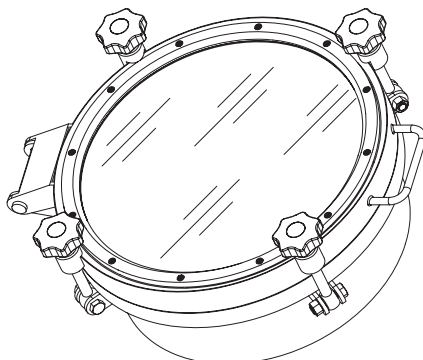
LIWEI Technology

TECHNICAL DATA

Working pressure: Acc. to table standard size.

Certificates

EN10204. 3.1 certificate



Options

Stainless Steel Finishes

POLISHED WITH RA (μ)

BEAD BLASTED






PICKLED : ON REQUEST

ELECTRO POLISHED

Cover & Frame Range

Cover Thickness	Frame/Neck Height
20mm	85mm (3.35")
22mm	100mm (3.94")
35mm	120mm (4.72")
	150mm (5.91")
	200mm (7.76")
	250mm (9.85")

Note: Longer heights are also available.

-  Pressure round external manlids
-  Portes extérieures rondes à pression
-  Runde Außentüren mit Druck
-  Puertas exteriores redondas con presión
-  Chiusino superiore con graffe di chiusura



- ◆ 7022 200
- ◆ 7022 300
- ◆ 7022 350
- ◆ 7022 400
- ◆ 7022 430
- ◆ 7022 450
- ◆ 7022 500
- ◆ 7022 600

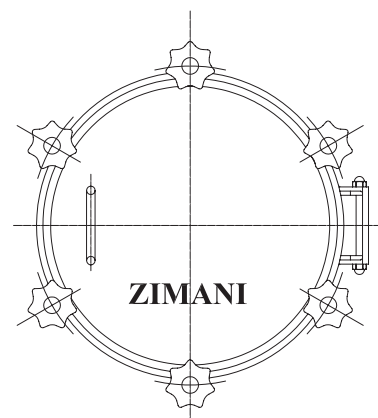
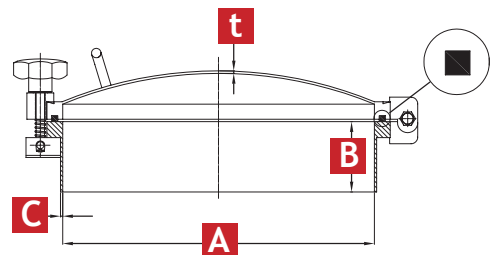


STANDARD SIZE/* At temperature 50°C /122 °F

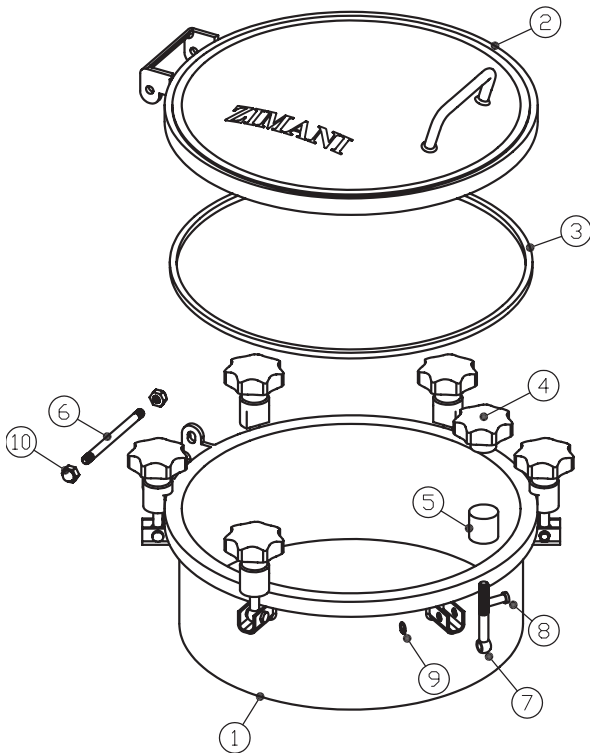
CODE	A	OD×C	BOLTS	B	t	P.MAX
	mm	mm	No. of	mm	mm	bar
7022 200	200	206×3.0	4	100	3.0	5.5
7022 300	300	306×3.0	4	100	3.0	5.5
7022 350	350	356×3.0	4/6	100	3.0	5
7022 400	400	406×4.0	4/6/8	100	3.0	4
7022 430	430	436×4.0	4/6/8	100	3.0	4
7022 450	450	456×4.0	6/8/10	100	3.0	3.5
7022 500	500	506×4.0	6/8/10	100	3.0	2.5
7022 600	600	606×4.0	6/8/10/12	100	4.0	2

IF YOU WANT TO CHECK FOR MORE DETAILS
PLEASE CHECK THE FOLLOWING DRAWING

*1BAR ≈14.5PSI=0.1MPA



LPSD Parts Drawing



GASKET

Part No.	Material	Color
7010-04 1	Silicon	White
7010-04 2	EPDM	Black
7010-04 3	FPM	Black

Item	Description	Material	Qty
1	Frame	1.4301/1.4404	1
2	Cover	1.4301/1.4404	1
3	Gasket	Silicon	1
4	Handle	Plastic/1.4301	6
5	Hub	T304	6
6	Screw	T304	1
7	Swing Bolt	T304	6
8	Pin	T304	6
9	Lock Ring	T304	6
10	Nut	T304	2

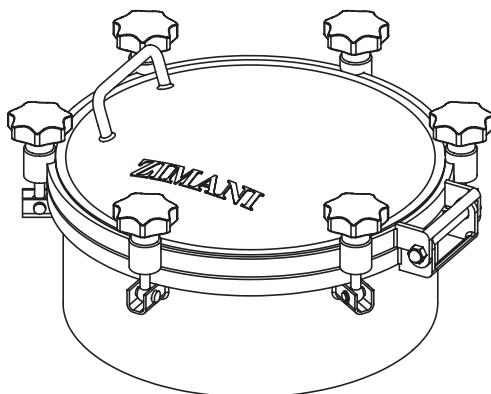
LPSD Technology

TECHNICAL DATA

Working pressure: Acc. to table standard size.

Certificates

EN10204. 3.1 certificate



Options

Stainless Steel Finishes

POLISHED WITH RA (μ)

BEAD BLASTED






PICKLED : ON REQUEST

ELECTRO POLISHED

Cover & Frame Range

Cover Thickness	Frame/Neck Height
3.0 mm	85mm (3.35")
3.5 mm	100mm (3.94")
4.0 mm	120mm (4.72")
	150mm (5.91")
	200mm (7.76")
	250mm (9.85")

Note: Longer heights are also available.

-  Pressure round external manlids
-  Portes extérieures rondes à pression
-  Runde Außentüren mit Druck
-  Puertas exteriores redondas con presión
-  Chiusino superiore con graffe di chiusura



- ◆ 7023 200
- ◆ 7023 300
- ◆ 7023 350
- ◆ 7023 400
- ◆ 7023 430
- ◆ 7023 450
- ◆ 7023 500

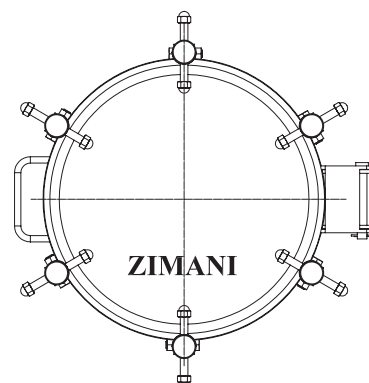
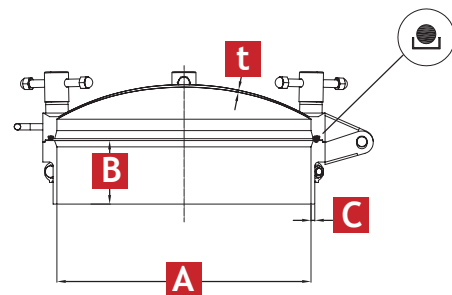


STANDARD SIZE/* At temperature 50°C /122 °F

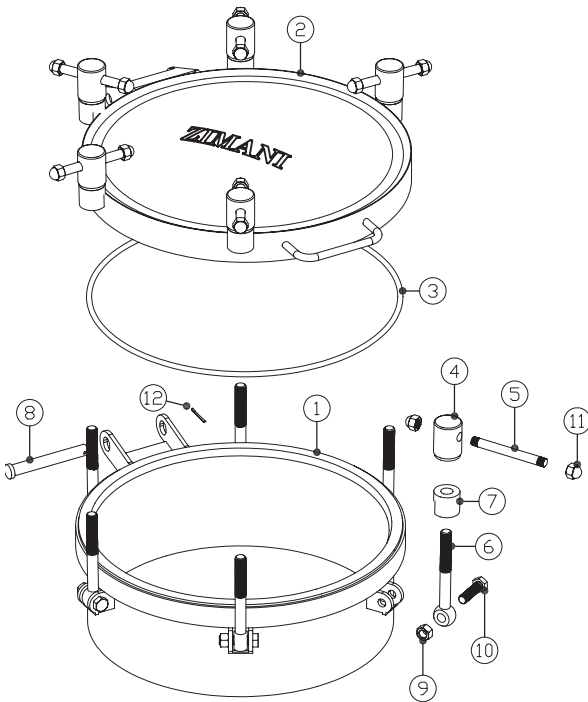
CODE	A	OD×C	BOLTS	B	t	P.MAX
	mm	mm	No. of	mm	mm	bar
7023 200	200	208×4.0	4	100	3.5	7.0
7023 300	300	308×4.0	4/6	100	3.5	6.5
7023 350	350	358×4.0	4/6	100	3.5	6.0
7023 400	450	458×4.0	4/6/8	100	3.5	5.5
7023 430	430	438×4.0	4/6/8	100	3.5	5.5
7023 450	450	458×4.0	6/8/10	100	3.5	5.0
7023 500	500	510×5.0	6/8/10	100	4.0	4.5

IF YOU WANT TO CHECK FOR MORE DETAILS
PLEASE CHECK THE FOLLOWING DRAWING

*1BAR ≈14.5PSI=0.1MPA



HPSD Parts Drawing



GASKET

Part No.	Material	Color
7010-09 1	Silicon	White
7010-09 2	EPDM	Black
7010-09 3	FPM	Black

Item	Description	Material	Qty
1	Frame	1.4301/1.4404	1
2	Cover	1.4301/1.4404	1
3	Gasket	Silicon	1
4	Handle part	T304	6
5	Screw	T304	6
6	Swing bolt	T304	6
7	Hub	T304	6
8	Pin	T304	1
9	Nut	T304	6
10	Screw	T304	6
11	Nut	T304	12
12	Cotter Pin	T304	1

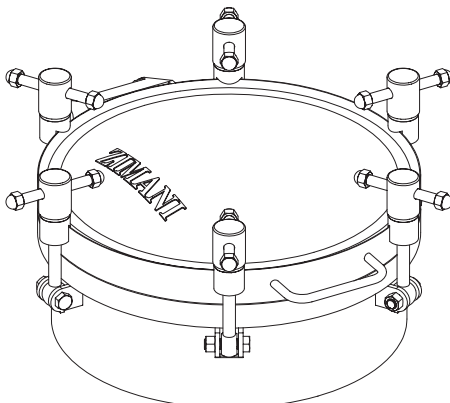
HPSD Technology

TECHNICAL DATA

Working pressure: Acc. to table standard size.

Certificates

EN10204. 3.1 certificate



Options

Stainless Steel Finishes

POLISHED WITH RA (μ)

BEAD BLASTED






PICKLED : ON REQUEST

ELECTRO POLISHED

Cover & Frame Range

Cover Thickness	Frame/Neck Height
3.0 mm	85mm (3.35")
3.5 mm	100mm (3.94")
4.0 mm	120mm (4.72")
	150mm (5.91")
	200mm (7.76")
	250mm (9.85")

Note: Longer heights are also available.

-  Non-pressure hygienic access covers
-  Trappes aseptiques sans pression
-  Drucklose Domdeckel, steril
-  Bocas de hombre asépticas sin presión
-  Chiusino circolare



◆ 7024 450

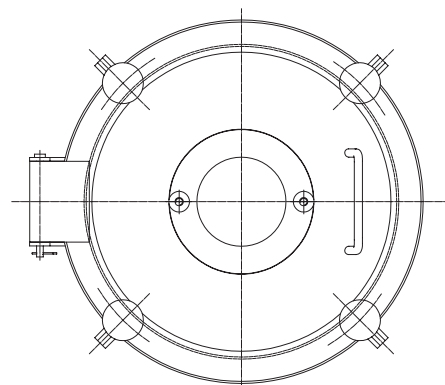
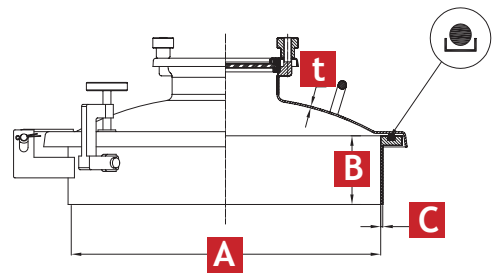


STANDARD SIZE/* At temperature 50°C /122 °F

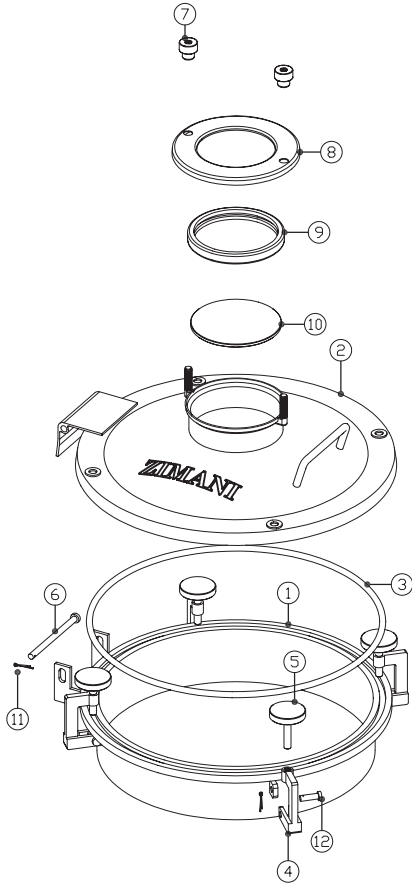
CODE	A	OD×C	B	t	P.MAX
	mm	mm	mm	mm	bar
7024 450	450	456×3.0	100	3.0	0.3

IF YOU WANT TO CHECK FOR MORE DETAILS
PLEASE CHECK THE FOLLOWING DRAWING

*1BAR =14.5PSI=0.1MPA



JPSD Parts Drawing



GASKET		
Part No.	Material	Color
7010-09 1	Silicon	White
7010-09 2	EPDM	Black
7010-09 3	FPM	Black

Item	Description	Material	Qty
1	Frame	1.4301/1.4404	1
2	Cover	1.4301/1.4404	1
3	Gasket	Silicon	1
4	Support	T304	4
5	Handle	T304	4
6	Pin	T304	1
7	Nut	T304	2
8	SG cover	T304	1
9	SG seal	Silicon	1
10	Sight glass	Tempered glass	1
11	Cotter Pin	T304	5
12	Pin	T304	4

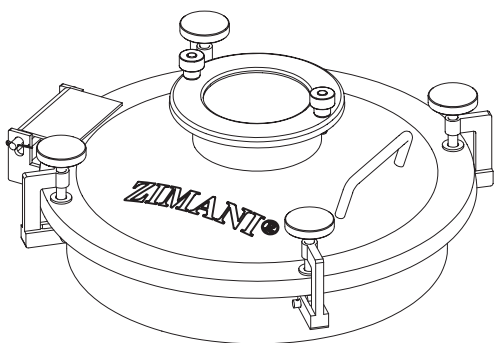
JPSD Technology

TECHNICAL DATA

Working pressure: Acc. to table standard size.

Certificates

EN10204. 3.1 certificate



Options

Stainless Steel Finishes

POLISHED WITH RA (μ)

BEAD BLASTED






PICKLED : ON REQUEST

ELECTRO POLISHED

Cover & Frame Range

Cover Thickness	Frame/Neck Height
2.5mm	85mm (3.35")
3.0mm	100mm (3.94")
	120mm (4.72")
	150mm (5.91")
	200mm (7.76")
	250mm (9.85")

Note: Longer heights are also available.

-  Round autoclave manlids
-  Portes autoclaves rondes
-  Runde Autoklaventüren
-  Puertas autoclaves redondas
-  Chiusino circolare



- ◆ 7025 430
- ◆ 7025 450
- ◆ 7025 500
- ◆ 7025 600

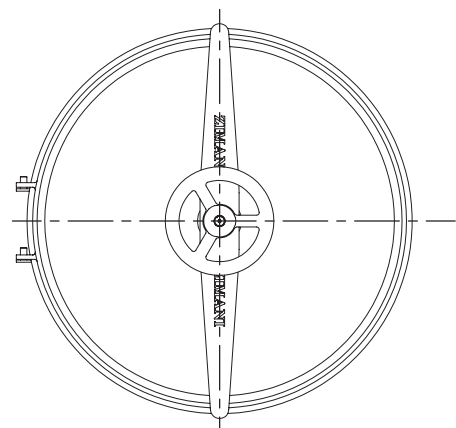
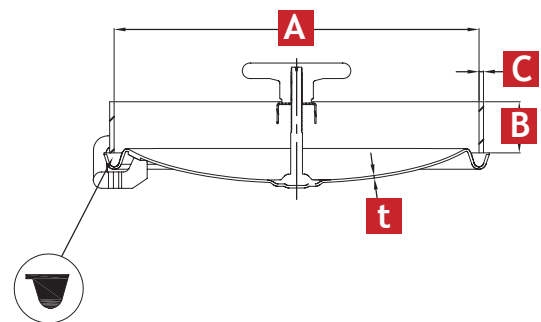


STANDARD SIZE/* At temperature 50°C /122 °F

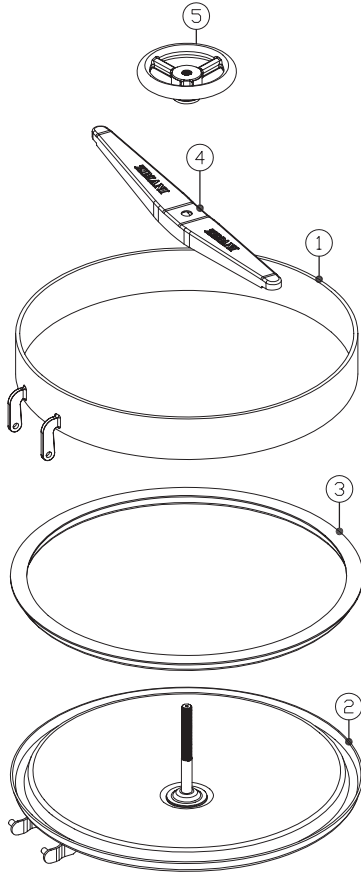
CODE	A	OD×C	B	t	P.MAX
	mm	mm	No. of	mm	bar
7025 430	420	430×5.0	100	3.0	0.12
7025 450	440	450×5.0	100	3.0	0.11
7025 500	490	500×5.0	100	3.0	0.1
7025 600	590	600×5.0	100	3.0	0

IF YOU WANT TO CHECK FOR MORE DETAILS
PLEASE CHECK THE FOLLOWING DRAWING

*1BAR ≈14.5PSI≈0.1MPA



CIWD Parts Drawing



GASKET

Part No.	Material	Color
7010-05 1	Silicon	White
7010-05 2	EPDM	Black
7010-05 3	FPM	Black

Item	Description	Material	Qty
1	Frame	1.4301/1.4404	1
2	Cover	1.4301/1.4404	1
3	Gasket	Silicon	1
4	Bracket	T304	1
5	Handle	Plastic/T304	1

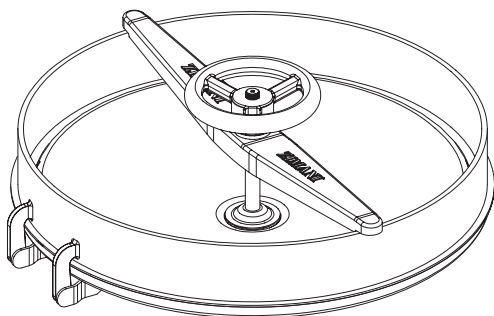
CIWD Technology

TECHNICAL DATA

Working pressure:Acc. to table standard size.

Certificates

EN10204. 3.1 certificate



Options

Stainless Steel Finishes

POLISHED WITH RA (μ)

BEAD BLASTED

PICKLED : ON REQUEST

ELECTRO POLISHED

Cover & Frame Range

Cover Thickness	Frame/Neck Height
2.0mm	85mm (3.35")
2.5mm	100mm (3.94")
3.0mm	120mm (4.72")

Note: Longer heights are also available.