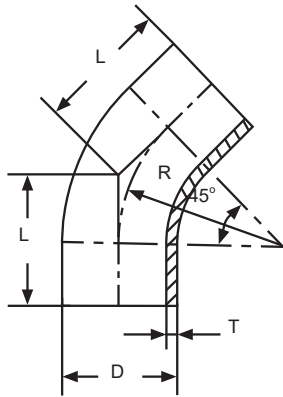


AS Standard Sanitary Stainless Steel Tubing, Valves and Fittings

AS标准卫生级不锈钢管，阀门和管件

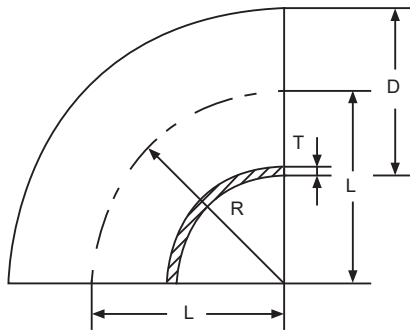


AS2KS 45° Long Elbow



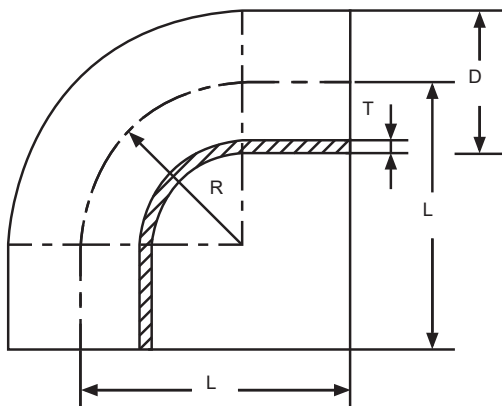
Size	D	L	R	T
1/2"	12.7	37.9	19.1	1.6
3/4"	19.1	41.9	28.6	1.6
1"	25.4	45.8	38.1	1.6
1.25"	31.8	49.8	47.7	1.6
1.5"	38.1	53.7	57.2	1.6
2"	50.8	61.6	76.2	1.6
2.5"	63.5	69.5	95.3	1.6
3"	76.2	77.3	114.3	1.6
4"	101.6	93.1	152.4	1.6

ASWCL 90° Short Elbow



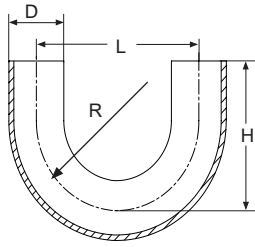
Size	D	L	R	T
1/2"	12.7	19.1	19.1	1.6
3/4"	19.1	28.6	28.6	1.6
1"	25.4	38.1	38.1	1.6
1.25"	31.8	47.7	47.7	1.6
1.5"	38.1	57.2	57.2	1.6
2"	50.8	76.2	76.2	1.6
2.5"	63.5	95.3	95.3	1.6
3"	76.2	114.3	114.3	1.6
4"	101.6	152.4	152.4	1.6
5"	127.0	190.5	190.5	2.0
6"	152.4	228.6	228.6	2.0
8"	203.2	304.8	304.8	2.0

AS2S 90° Long Elbow



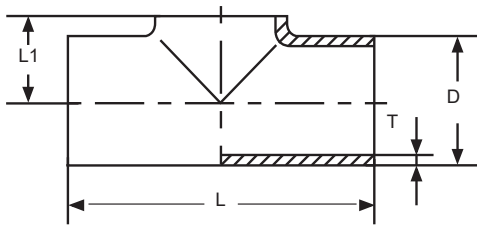
Size	D	L	R	T
1/2"	12.7	49.1	19.1	1.6
3/4"	19.1	58.6	28.6	1.6
1"	25.4	68.1	38.1	1.6
1.25"	31.8	77.7	47.7	1.6
1.5"	38.1	87.2	57.2	1.6
2"	50.8	106.2	76.2	1.6
2.5"	63.5	125.3	95.3	1.6
3"	76.2	144.3	114.3	1.6
4"	101.6	182.4	152.4	1.6
5"	127.0	230.5	190.5	2.0
6"	152.4	268.6	228.6	2.0
8"	203.2	344.8	304.8	2.0

ASWU 180° Long Elbow



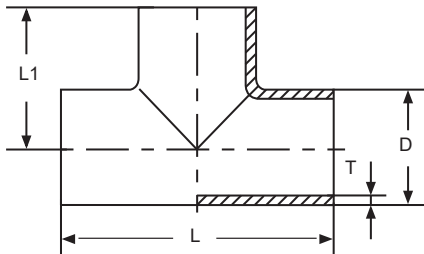
Size	D	L	R	H
1"	25.4	76.2	38.1	68.1
1.5"	38.1	114.4	57.2	87.2
2"	50.8	152.4	76.2	106.2
2.5"	63.5	190.6	95.3	125.3
3"	76.2	228.6	114.3	144.3
4"	101.6	304.8	152.4	182.4

A7WWWS Equal Tee



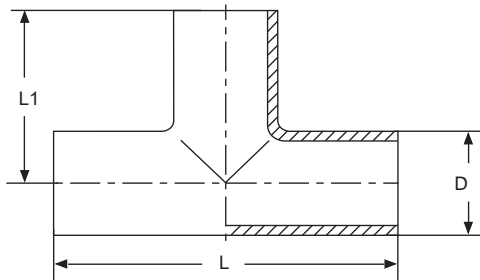
Size	D	L	L1	T
1/2"	12.7	38.2	9.4	1.6
3/4"	19.1	57.2	12.6	1.6
1"	25.4	76.2	15.7	1.6
1.25"	31.8	95.4	18.9	1.6
1.5"	38.1	114.4	22.1	1.6
2"	50.8	152.4	28.4	1.6
2.5"	63.5	190.6	34.8	1.6
3"	76.2	228.6	41.1	1.6
4"	101.6	304.8	53.8	1.6

AS7WWW Short Equal Tee



Size	D	L	L1	T
1/2"	12.7	38.2	19.1	1.6
3/4"	19.1	57.2	28.6	1.6
1"	25.4	76.2	38.1	1.6
1.25"	31.8	95.4	47.7	1.6
1.5"	38.1	114.4	57.2	1.6
2"	50.8	152.4	76.2	1.6
2.5"	63.5	190.6	95.3	1.6
3"	76.2	228.6	114.3	1.6
4"	101.6	304.8	152.4	1.6
5"	127.0	381.0	190.5	1.6
6"	152.4	457.2	228.6	1.6
8"	203.2	609.6	304.8	1.6

AS7W Long Equal Tee

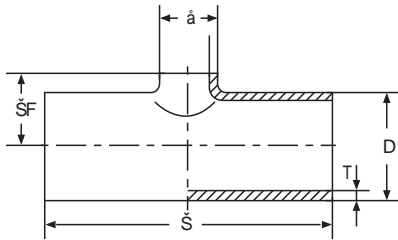


Size	D	L	L1	T
1/2"	12.7	98.2	49.1	1.6
3/4"	19.1	117.2	58.6	1.6
1"	25.4	136.2	68.1	1.6
1.25"	31.8	155.4	77.7	1.6
1.5"	38.1	174.4	87.2	1.6
2"	50.8	212.4	106.2	1.6
2.5"	63.5	250.6	125.3	1.6
3"	76.2	288.6	144.3	1.6
4"	101.6	364.8	182.4	1.6
5"	127.0	461.0	230.5	1.6
6"	152.4	537.2	268.6	1.6
8"	203.2	689.6	344.8	1.6

Weld Fittings

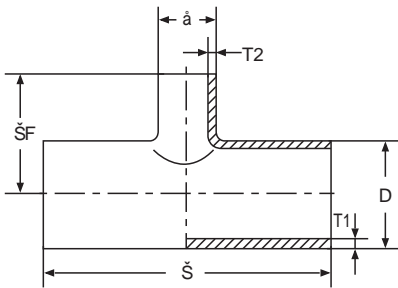
AS

AS7RWWW Equal Reducing Tee



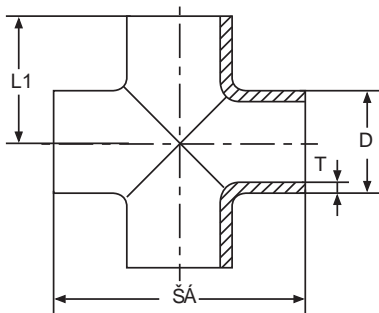
Size	D	d	L	L1	T
1.5"x1.0"	38.1	25.4	160	22.1	1.6
2.0"x1.0"	50.8	25.4	160	28.4	1.6
2.0"x1.5"	50.8	38.1	160	28.4	1.6
2.5"x1.5"	63.5	38.1	160	34.8	1.6
2.5"x2.0"	63.5	50.8	160	34.8	1.6
3.0"x1.5"	76.2	38.1	160	41.1	1.6
3.0"x2.0"	76.2	50.8	160	41.1	1.6
3.0"x2.5"	76.2	63.5	190.5	41.1	1.6
4.0"x2.0"	101.6	50.8	160	53.8	1.6
4.0"x2.5"	101.6	63.5	190.5	53.8	1.6
4.0"x3.0"	101.6	76.2	228.6	53.8	1.6

AS7RWWW Long Reducing Tee



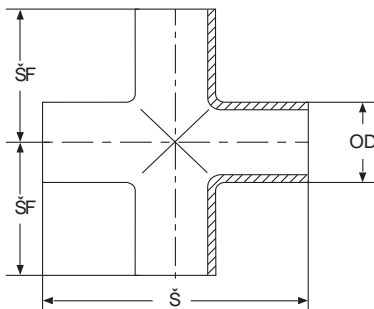
Size	D	d	L	L1	T
1.5"x1.0"	38.1	25.4	160	80	1.6
2.0"x1.0"	50.8	25.4	160	80	1.6
2.0"x1.5"	50.8	38.1	160	80	1.6
2.5"x1.5"	63.5	38.1	160	80	1.6
2.5"x2.0"	63.5	50.8	160	80	1.6
3.0"x1.5"	76.2	38.1	160	80	1.6
3.0"x2.0"	76.2	50.8	160	80	1.6
3.0"x2.5"	76.2	63.5	190.5	95.3	1.6
4.0"x2.0"	101.6	50.8	160	80	1.6
4.0"x2.5"	101.6	63.5	190.5	95.3	1.6
4.0"x3.0"	101.6	76.2	228.6	114.3	1.6

AS9W Short Cross



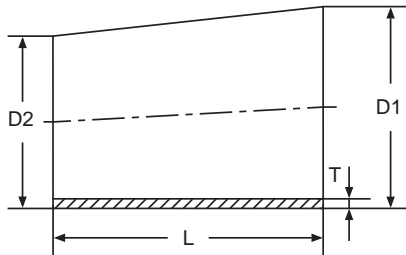
Size	D	L	L1	T
1/2"	12.7	38.2	19.1	1.6
3/4"	19.1	57.2	28.6	1.6
1"	25.4	76.2	38.1	1.6
1.25"	31.8	95.4	47.7	1.6
1.5"	38.1	114.0	57.2	1.6
2"	50.8	152.4	76.2	1.6
2.5"	63.5	190.0	95.3	1.6
3"	76.2	288.4	114.3	1.6
4"	101.6	304.8	152.4	1.6

AS9WWW Long Cross



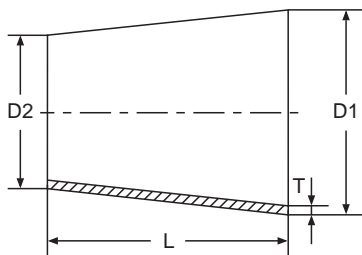
Size	D	L	L1	T
1/2"	12.7	98.2	49.1	1.6
3/4"	19.1	117.2	58.6	1.6
1"	25.4	136.2	68.1	1.6
1.25"	31.8	155.4	77.7	1.6
1.5"	38.1	174.2	87.2	1.6
2"	50.8	212.4	106.2	1.6
2.5"	63.5	250.6	125.3	1.6
3"	76.2	288.6	144.3	1.6
4"	101.6	364.8	182.4	1.6

AS31W Eccentric Reducer



Size	D	L	R	T
1.0"x3/4"	25.4	19.1	25.4	1.6
1.5"x1.25"	38.1	31.8	38.1	1.6
1.5"x1.0"	38.1	25.4	38.1	1.6
2.0"x3/4"	50.8	19.1	50.8	1.6
2.0"x1.0"	50.8	25.4	50.8	1.6
2.0"x1.25"	50.8	31.8	50.8	1.6
2.0"x1.5"	50.8	38.1	50.8	1.6
2.5"x1.0"	63.5	25.4	63.5	1.6
2.5"x1.5"	63.5	38.1	63.5	1.6
2.5"x2.0"	63.5	50.8	63.5	1.6
3.0"x1.0"	76.2	25.4	76.2	1.6
3.0"x1.5"	76.2	38.1	76.2	1.6
3.0"x2.0"	76.2	50.8	76.2	1.6
3.0"x2.5"	76.2	63.5	76.2	1.6
4.0"x2.0"	101.6	50.8	101.6	1.6
4.0"x2.5"	101.6	63.5	101.6	1.6
4.0"x3.0"	101.6	76.2	101.6	1.6
5.0"x3.0"	127	76.2	127	2.0
5.0"x4.0"	127	101.6	127	2.0
6.0"x2.0"	152.4	50.8	152.4	2.0
6.0"x2.5"	152.4	63.5	152.4	2.0
6.0"x3.0"	152.4	76.2	152.4	2.0
6.0"x4.0"	152.4	101.6	152.4	2.0
6.0"x5.0"	152.4	127	152.4	2.0

AS32W Concentric Reducer



Size	D	L	R	T
3/4"x1/2"	25.4	19.1	25.4	1.6
1.0"x1/2"	38.1	31.8	38.1	1.6
1.0"x3/4"	25.4	19.1	25.4	1.6
1.5"x1.25"	38.1	31.8	38.1	1.6
1.5"x1.0"	38.1	25.4	38.1	1.6
2.0"x3/4"	50.8	19.1	50.8	1.6
2.0"x1.0"	50.8	25.4	50.8	1.6
2.0"x1.25"	50.8	31.8	50.8	1.6
2.0"x1.5"	50.8	38.1	50.8	1.6
2.5"x1.0"	63.5	25.4	63.5	1.6
2.5"x1.5"	63.5	38.1	63.5	1.6
2.5"x2.0"	63.5	50.8	63.5	1.6
3.0"x1.0"	76.2	25.4	76.2	1.6
3.0"x1.5"	76.2	38.1	76.2	1.6
3.0"x2.0"	76.2	50.8	76.2	1.6
3.0"x2.5"	76.2	63.5	76.2	1.6
4.0"x2.0"	101.6	50.8	101.6	1.6
4.0"x2.5"	101.6	63.5	101.6	1.6
4.0"x3.0"	101.6	76.2	101.6	1.6
5.0"x3.0"	127	76.2	127	2.0
5.0"x4.0"	127	101.6	127	2.0
6.0"x2.0"	152.4	50.8	152.4	2.0
6.0"x2.5"	152.4	63.5	152.4	2.0
6.0"x3.0"	152.4	76.2	152.4	2.0
6.0"x4.0"	152.4	101.6	152.4	2.0
6.0"x5.0"	152.4	127	152.4	2.0