



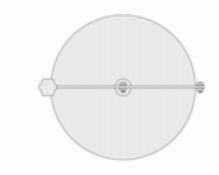
P&E TECHNOLOGY



[www.pestainless.com](http://www.pestainless.com)



**> ZIMANI**



**ZIMANI**  
Explore and Discover

ISSUE DATE: August 03, 2015

CERTIFICATE AUTHORIZATION NUMBER: 1824



THIS IS TO CERTIFY THAT

P&E Flow Technology Co., Ltd.

Shacheng Industry Park, Longwan, 325000, Wenzhou, China

is hereby authorized to continue to apply the  
3-A Symbol to the models of equipment, conforming to 3-A Sanitary Standards for:

Number 84-02  
84-02 (Personnel Access Ports for Wet Applications)

set forth below

Clean-in-Place Model Numbers: 7011 NPDC (sizes 500 and 600), 7021 LIWEI (sizes 500 and 600),  
7022 LPSD (sizes 500 and 600), 7051 ZISD (sizes 500) in 304, 304L, 316 and 316L stainless steel,  
with silicone seals

VALID THROUGH: **December 31, 2023**

Timothy R. Rugh  
Executive Director  
3-A Sanitary Standards, Inc.

The issuance of this authorization for the use of the 3-A Symbol is based upon the voluntary certification, by the applicant for it, that the equipment listed above complies fully with the 3-A Sanitary Standard(s) designated. Legal responsibility for compliance is solely that of the holder of this Certificate of Authorization, and 3-A Sanitary Standards, Inc. does not warrant that the holder of an authorization at all times complies with the provisions of the said 3-A Sanitary Standards. This in no way affects the responsibility of 3-A Sanitary Standards, Inc. to take appropriate action in such cases in which evidence of nonconformance has been established.

NEXT TPV INSPECTION/REPORT DUE: **August 2026**

ISSUE DATE: August 03, 2015

CERTIFICATE AUTHORIZATION NUMBER: 1823



THIS IS TO CERTIFY THAT

P&E Flow Technology Co., Ltd.

Shacheng Industry Park, Longwan, 325000, Wenzhou, China

is hereby authorized to continue to apply the  
3-A Symbol to the models of equipment, conforming to 3-A Sanitary Standards for:

Number 78-03

78-03 (Spray Cleaning Devices Intended to Remain in Place)

set forth below

Clean-in-Place Model Number: Spray Ball 7002 in 304, 304L, 316, 316L

VALID THROUGH: December 31, 2023

Timothy R. Rugh  
Executive Director  
3-A Sanitary Standards, Inc.

The issuance of this authorization for the use of the 3-A Symbol is based upon the voluntary certification, by the applicant for it, that the equipment listed above complies fully with the 3-A Sanitary Standard(s) designated. Legal responsibility for compliance is solely that of the holder of this Certificate of Authorization, and 3-A Sanitary Standards, Inc. does not warrant that the holder of an authorization at all times complies with the provisions of the said 3-A Sanitary Standards. This in no way affects the responsibility of 3-A Sanitary Standards, Inc. to take appropriate action in such cases in which evidence of nonconformance has been established.

NEXT TPV INSPECTION/REPORT DUE: September 2026

# ZIMANI

## About ZIMANI

In 1990, engineer Shen, a veteran in the tank manufacturing industry, who had accumulated a lot of experience about certain aspects of tank designing such as the principle of designing and producing tank, manhole covers and manways, opened the door of production in his early works. His philosophy had always been to create high-quality products and constant innovation of several new products. P & E, company's attention was attracted and investments were made accordingly to make production and marketing international and this led to the birth of ZIMANI brand. Now for ZIMANI brand to expand, we increased in publicity, as well as expanding the scope of employees thinking and philosophy about management, production, sales, marketing and service as a whole. We incorporated innovative ideas from all over the world especially United States together with the strict control of production processes from Japan, to ensure that we continue to develop. People are our most important resource. Our production team and sales team, as well as other teams maintain a high level of communication. We attach great importance to the functioning of the various teams and uniqueness of our employees at all levels and functional units.

## The process is more important than the result

R & D and QC management, specific duties and responsibilities are also very important. We firmly believe that the quality results are not sudden or out of the blue, but the outcome of excellent processes or steps in the overall production. So the transparency of the processes of analysis and quality control are particularly important, we continue to promote this in-house philosophy of production, as well as establish a set of post production system, which makes teams and individuals who interfere with this concept easy to trace and punish accordingly.



## Marketing

The marketing of ZIMANI would not be complete without the breaking of language barriers. To limit this factor to insignificant proportion, we have developed a dynamic network of active local and international sales teams. We are still expanding our network system to include agents and dealers. We would like interested parties to contact us as we co-operate mutually in the bid to make ZIMANI manways the best on the globe because we believe the development of this industry depends on everyone coming in with their forces.



## Manufacturing

Our manufacturing process is result-oriented. In order to meet the needs of the customer, we manufacture products according to the different requirements of different customers. Subtle changes in designs are sometimes made to suit the customers' needs. Each batch of products goes through our strict quality control system. People responsible make sure that each product has what it takes to make the ZIMANI brand by checking details on quality and operation.

To guarantee that products are excellent in compliance and quality, our internal control system ends with a third party inspection of production procedure and products to ensure stable high-output of quality products.

## Exploration

Our engineers are in constant consultation with various industry leading tank manufacturing companies, to find suitable and hygienic methods to deal with problems that face the storage tank industry. We examine the degree of demand for a product and acquire other knowledge by using the questionnaire on our website. We encourage you to download the questionnaire at our website, fill it out and send it back to us. This helps us to build a stronger relationship with our customers and also directs us to do further explore, research and develop according to your needs.

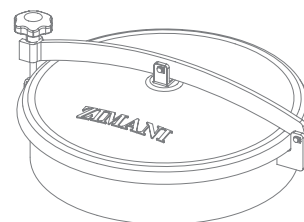
## Discovery

Every year, 20% of our budget is dedicated to exploration as well as research and development. The targets of our team of explorers are always according to your needs.

Each year, we develop about 10 new lines of products. If you have a need for 100 sets or more of a particular product, our team will tailor a customized and suitable one for you at no tooling or mold cost. Customized models are marked to your name.

# CONTENT

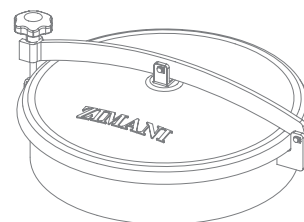
## TYPE CODE



▪ NPDC 7011 .....	09
▪ NPDD 7012 .....	11
▪ NPDE 7013 .....	13
▪ CNPC 7014 .....	15
▪ CNPD 7015 .....	17
▪ CNPE 7016 .....	19
▪ SERC 7017 .....	21
▪ SERD 7018 .....	23
▪ NLIW 7019 .....	25
▪ LIWI 7020 .....	27
▪ LIWEI 7021 .....	29
▪ LPSD 7022 .....	31
▪ HPSD 7023 .....	33
▪ JPSD 7024 .....	35
▪ CIWD 7025 .....	37
▪ NKD 7026 .....	39
▪ NKA 7027 .....	41
▪ ZKD 7028 .....	43
▪ ZKE 7029 .....	45
▪ ZKF 7030 .....	47
▪ ZKG 7031 .....	49
▪ ONP 7032 .....	51
▪ ONP-2 7033 .....	53

# CONTENT

## TYPE CODE

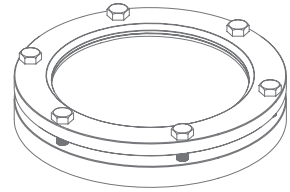


▪ R 7034 .....	55
▪ R2 7035 .....	57
▪ R3 7036 .....	59
▪ RE 7037 .....	61
▪ RE2 7038 .....	63
▪ RE3 7039 .....	65
▪ R2D 7040 .....	67
▪ R2D2 7041 .....	69
▪ RIW 7042 .....	71
▪ WNPDD 7043 .....	73
▪ WNPDE 7044 .....	74
▪ WSERC 7045 .....	75
▪ WR 7046 .....	76
▪ WRE 7047 .....	77
▪ WRE2 7048 .....	78
▪ WONP 7049 .....	79
▪ WZKD 7050 .....	80
▪ ZISD 7051 .....	81
▪ GASKET 7010 .....	83








# CONTENT

TYPE CODE



- HSG 7009 07 ..... 85
- SESG 7009 01-03 ..... 87
- USESG 7009 04 ..... 89
- FSP 7008 ..... 91

-  Non-pressure hygienic access covers
-  Trappes aseptiques sans pression
-  Drucklose Domdeckel, steril
-  Bocas de hombre asépticas sin presión
-  Chiusino circolare



- ◆ 7011 200
- ◆ 7011 219
- ◆ 7011 300
- ◆ 7011 350
- ◆ 7011 400
- ◆ 7011 430
- ◆ 7011 450
- ◆ 7011 500
- ◆ 7011 600
- ◆ 7011 700

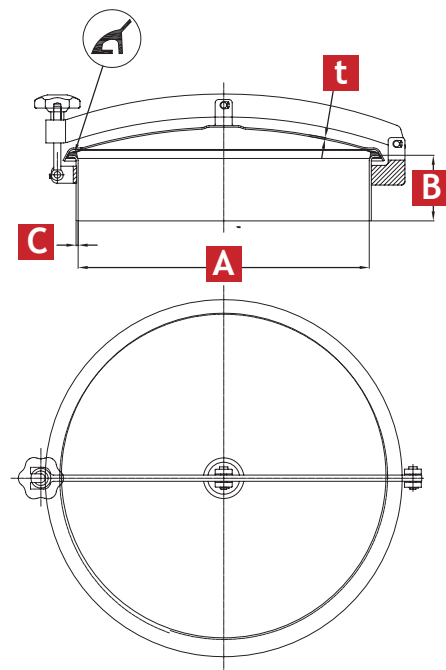


**STANDARD SIZE/\*** At temperature 50°C / 122 °F

CODE	A	OD×C	B	t	P.MAX
	mm	mm	mm	mm	bar
7011 200	195	200×2.5	100	2.0	0.2
7011 219	214	219×2.5	100	2.0	0.2
7011 300	295	300×2.5	100	2.0	0.18
7011 350	345	350×2.5	100	2.0	0.15
7011 400	394	400×3.0	100	2.5	0.12
7011 430	424	430×3.0	100	2.5	0.1
7011 450	444	450×3.0	100	2.5	0.1
7011 500	494	500×3.0	100	2.5	0
7011 600	594	600×4.0	100	3.0	0
7011 700	694	700×4.0	100	3.0	0

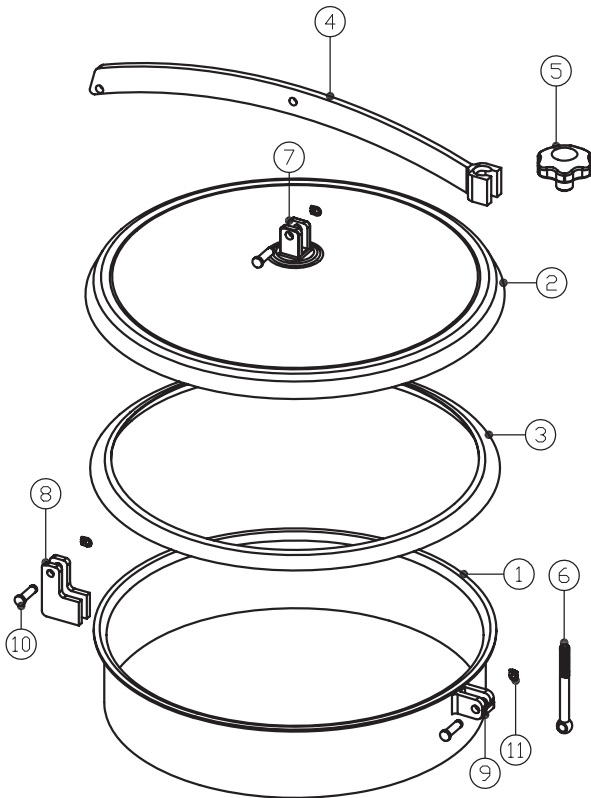
IF YOU WANT TO CHECK FOR MORE  
DETAILS PLEASE CHECK THE  
FOLLOWING DRAWING \*1BAR  
≈14.5PSI≈0.1MPA

Manway with sigh glass



Subject to modification without notice in advance

## NPDC Parts Drawing



### GASKET

Part No.	Material	Color
7010-01 1	Silicon	White
7010-01 2	EPDM	Black
7010-01 3	FPM	Black

Item	Description	Material	Qty
1	Frame	1.4301/1.4404	1
2	Cover	1.4301/1.4404	1
3	Gasket	Silicon	1
4	Bracket	304	1
5	Handle	Plastic/T304	1
6	Swing bolt	T304	1
7	Up hinge Support	T304	1
8	Back hinge Support	T304	1
9	Front hinge Support	T304	1
10	Pin	T304	3
11	Lock ring	T304	3

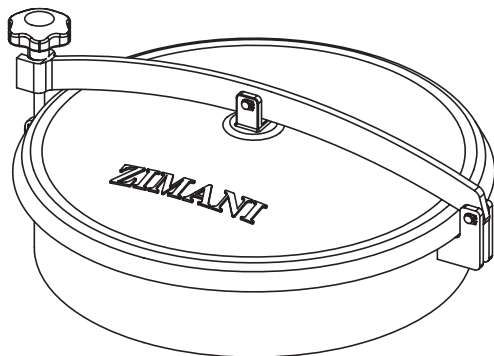
## NPDC Technology

### TECHNICAL DATA

Working pressure: . . . . . Acc. to table standard size.

### Certificates

EN10204. 3.1 certificate



## Options

### Stainless Steel Finishes

POLISHED WITH RA ( $\mu$ )

BEAD BLASTED






PICKLED : ON REQUEST

ELECTRO POLISHED

### Cover & Frame Range

Cover Thickness	Frame/Neck Height
2.0mm	85mm (3.35")
2.5mm	100mm (3.94")
3.0mm	120mm (4.72")
	150mm (5.91")
	200mm (7.76")
	250mm (9.85")

Note: Longer heights are also available.

-  Non-pressure hygienic access covers
-  Trappes aseptiques sans pression
-  Drucklose Domdeckel, steril
-  Bocas de hombre asépticas sin presión
-  Chiusino circolare

- ◆ 7012 219
- ◆ 7012 300
- ◆ 7012 350
- ◆ 7012 400
- ◆ 7012 430
- ◆ 7012 450
- ◆ 7012 500
- ◆ 7012 600

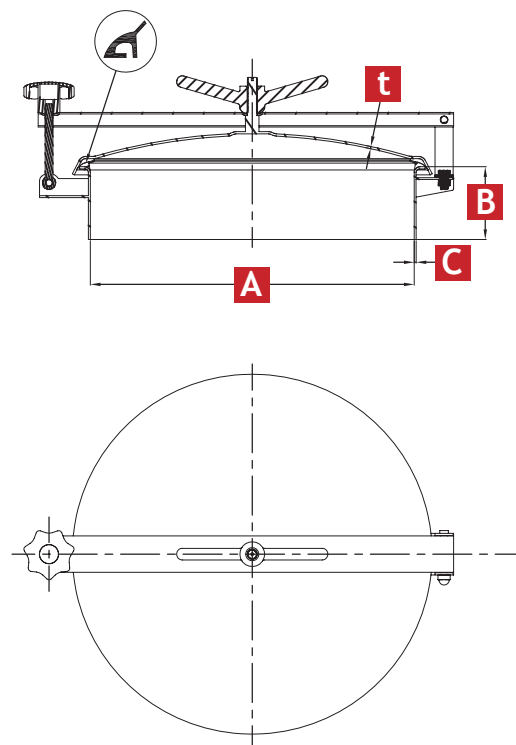


STANDARD SIZE/\* At temperature 50°C /122 °F

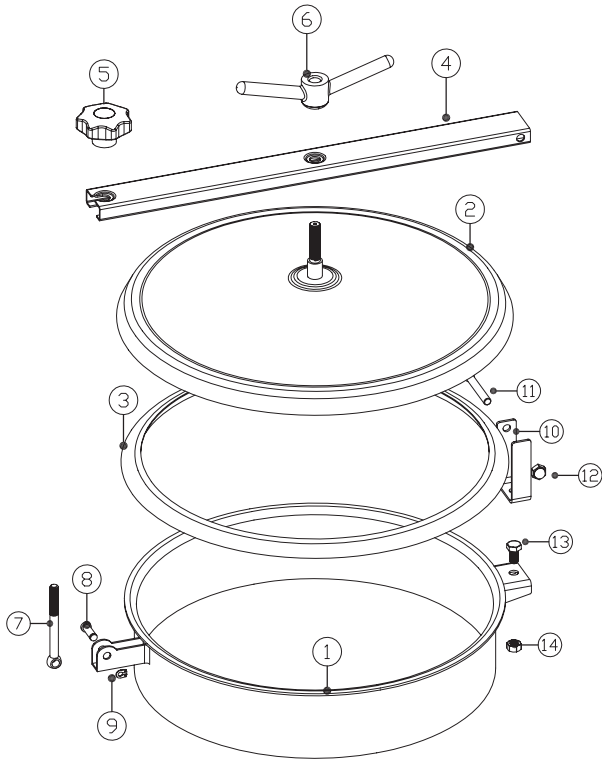
CODE	A	OD×C	B	T	P.MAX
	mm	mm	mm	mm	bar
7012 219	214	219×2.5	100	2.0	0.2
7012 300	294	300×3.0	100	2.5	0.18
7012 350	344	350×3.0	100	2.5	0.15
7012 400	394	400×3.0	100	2.5	0.12
7012 430	424	430×3.0	100	2.5	0.1
7012 450	444	450×3.0	100	2.5	0.1
7012 500	494	500×3.0	100	2.5	0
7012 600	594	600×3.0	100	2.5	0

IF YOU WANT TO CHECK FOR MORE DETAILS  
PLEASE CHECK THE FOLLOWING DRAWING

\*1BAR ≈14.5PSI=0.1MPA



## NPDD Parts Drawing



### GASKET

Part No.	Material	Color
7010-01 1	Silicon	White
7010-01 2	EPDM	Black
7010-01 3	FPM	Black

Item	Description	Material	Qty
1	Frame	1.4301/1.4404	1
2	Cover	1.4301/1.4404	1
3	Gasket	Silicon	1
4	Bracket	304	1
5	Handle	Plastic/T304	1
6	Nut	T304	1
7	Swing bolt	T304	1
8	Pin	T304	1
9	Lock ring	T304	1
10	Back hinge support	T304	1
11	Screw	T304	1
12	Nut	T304	1
13	Screw	T304	1
14	Nut	T304	1

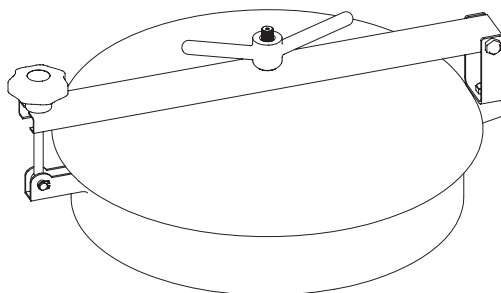
## NPDD Technology

### TECHNICAL DATA

Working pressure: . . . . .Acc. to table standard size.

### Certificates

EN10204. 3.1 certificate



## Options

### Stainless Steel Finishes

POLISHED WITH RA (μ)

BEAD BLASTED






PICKLED : ON REQUEST

ELECTRO POLISHED

### Cover & Frame Range

Cover Thickness	Frame/Neck Height
2.0mm	85mm (3.35")
2.5mm	100mm (3.94")
3.0mm	120mm (4.72")
	150mm (5.91")
	200mm (7.76")
	250mm (9.85")

Note: Longer heights are also available.

-  Non-pressure hygienic access covers
-  Trappes aseptiques sans pression
-  Drucklose Domdeckel, steril
-  Bocas de hombre asépticas sin presión
-  Chiusino circolare

- ◆ 7013 219
- ◆ 7013 300
- ◆ 7013 350
- ◆ 7013 400
- ◆ 7013 430
- ◆ 7013 450
- ◆ 7013 500
- ◆ 7013 600

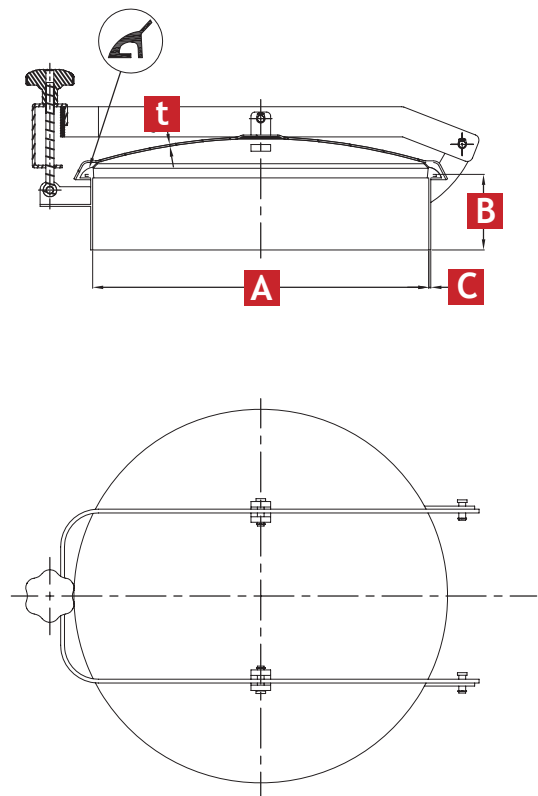


STANDARD SIZE/\* At temperature 50°C /122 °F

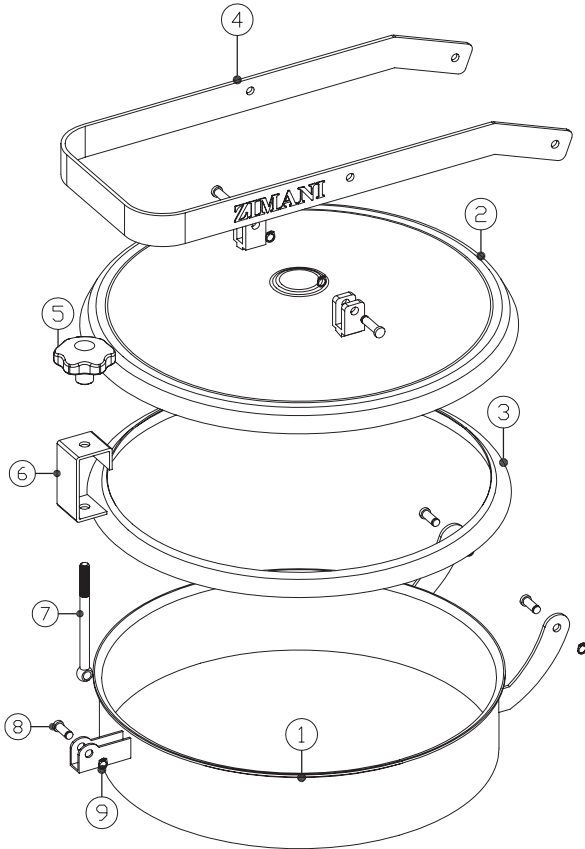
CODE	A	OD×C	B	T	P.MAX
	mm	mm	mm	mm	bar
7013 219	214	219×2.5	100	2.0	0.3
7013 300	294	300×3.0	100	2.5	0.22
7013 350	344	350×3.0	100	2.5	0.18
7013 400	394	400×3.0	100	2.5	0.16
7013 430	424	430×3.0	100	2.5	0.15
7013 450	444	450×3.0	100	2.5	0.12
7013 500	494	500×3.0	100	2.5	0.1
7013 600	594	600×3.0	100	2.5	0

IF YOU WANT TO CHECK FOR MORE DETAILS  
PLEASE CHECK THE FOLLOWING DRAWING

\*1BAR ≈14.5PSI≈0.1MPA



## NPDE Parts Drawing



### GASKET

Part No.	Material	Color
7010-01 1	Silicon	White
7010-01 2	EPDM	Black
7010-01 3	FPM	Black

Item	Description	Material	Qty
1	Frame	1.4301/1.4404	1
2	Cover	1.4301/1.4404	1
3	Gasket	Silicon	1
4	Bracket	304	1
5	Handle	Plastic/T304	1
6	Front hinge support	T304	1
7	Swing bolt	T304	1
8	Pin	T304	5
9	Lock ring	T304	5

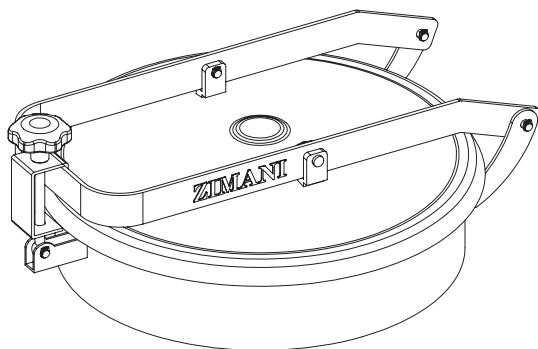
## NPDE Technology

### TECHNICAL DATA

Working pressure: . . . . . Acc. to table standard size.

### Certificates

EN10204. 3.1 certificate



## Options

### Stainless Steel Finishes

POLISHED WITH RA ( $\mu$ )

BEAD BLASTED






PICKLED : ON REQUEST

ELECTRO POLISHED

### Cover & Frame Range

Cover Thickness	Frame/Neck Height
2.0mm	85mm (3.35")
2.5mm	100mm (3.94")
3.0mm	120mm (4.72")
	150mm (5.91")
	200mm (7.76")
	250mm (9.85")

Note: Longer heights are also available.

-  Non-pressure hygienic access covers
-  Trappes sans pression
-  Drucklose Domdeckel
-  Bocas de hombre sin presión
-  Chiusino circolare

- ◆ 7014 350
- ◆ 7014 400
- ◆ 7014 430
- ◆ 7014 450
- ◆ 7014 500
- ◆ 7014 600

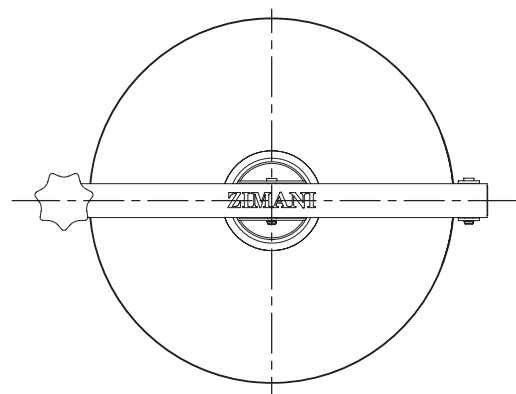
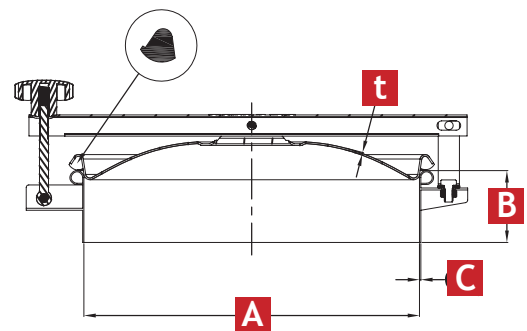


STANDARD SIZE/\* At temperature 50°C /122 °F

CODE	A	OD×C	B	T	P.MAX
	mm	mm	mm	mm	bar
7014 350	346	350×2.0	85	2.0	0.15
7014 400	396	400×2.0	85	2.0	0.12
7014 430	426	430×2.0	85	2.0	0.11
7014 450	446	450×2.0	85	2.0	0.07
7014 500	496	500×2.0	85	2.0	0.05
7014 600	596	600×2.0	85	2.0	0

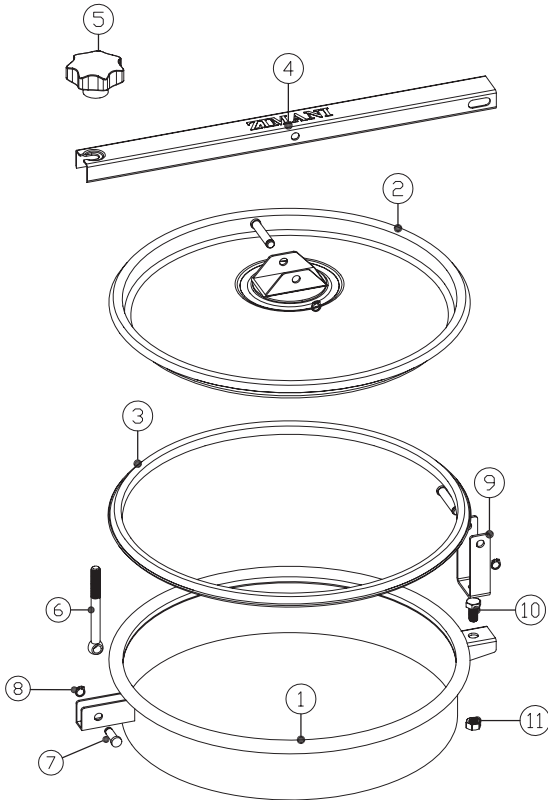
IF YOU WANT TO CHECK FOR MORE DETAILS  
PLEASE CHECK THE FOLLOWING DRAWING

\*1BAR ≈14.5PSI=0.1MPA





## CNPC Parts Drawing



### GASKET

Part No.	Material	Color
7010-03 1	Silicon	White
7010-03 2	EPDM	Black
7010-03 3	FPM	Black

Item	Description	Material	Qty
1	Frame	1.4301/1.4404	1
2	Cover	1.4301/1.4404	1
3	Gasket	Silicon	1
4	Bracket	T304	1
5	Handle	Plastic/T304	1
6	Swing bolt	T304	1
7	Pin	T304	3
8	Lock ring	T304	3
9	Back hinge support	T304	1
10	Screw	T304	1
11	Nut	T304	1

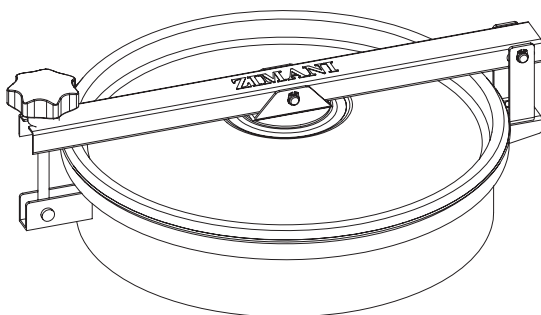
## CNPC Technology

### TECHNICAL DATA

Working pressure: . . . . . Acc. to table standard size.

### Certificates

3.1 certificate



## Options

### Stainless Steel Finishes

POLISHED WITH RA ( $\mu$ )

BEAD BLASTED






PICKLED : ON REQUEST

ELECTRO POLISHED

### Cover & Frame Range

Cover Thickness	Frame/Neck Height
2.0mm	85mm (3.35")
2.5mm	100mm (3.94")
	120mm (4.72")
	150mm (5.91")
	200mm (7.76")
	250mm (9.85")

Note: Longer heights are also available.

-  Non-pressure hygienic access covers
-  Trappes sans pression
-  Drucklose Domdeckel
-  Bocas de hombre sin presión
-  Chiusino circolare

- ◆ 7015 350
- ◆ 7015 400
- ◆ 7015 450

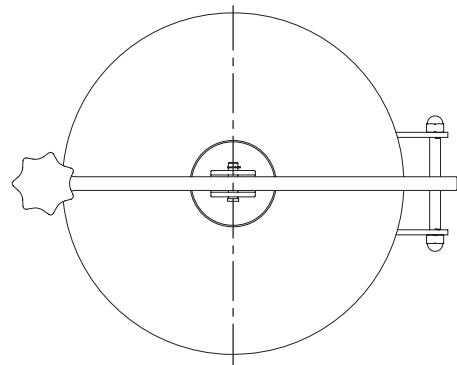
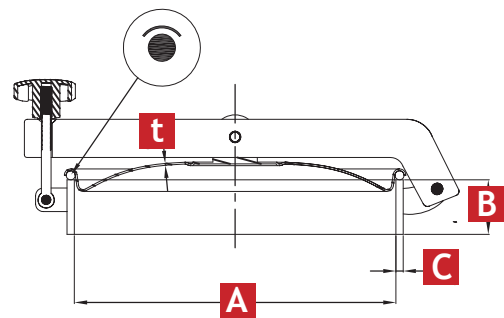


STANDARD SIZE/\* At temperature 50°C /122 °F

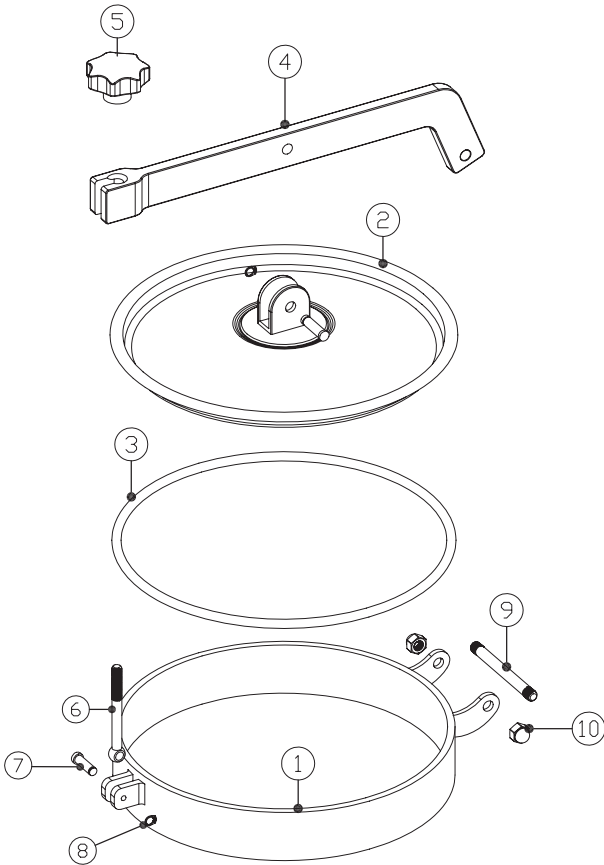
CODE	A	OD×C	B	t	P.MAX
	mm	mm	mm	mm	bar
7015 350	334	350×8.0	85	2.0	0.2
7015 400	384	400×8.0	85	2.0	0.12
7015 450	434	450×8.0	85	2.0	0.1

IF YOU WANT TO CHECK FOR MORE DETAILS  
PLEASE CHECK THE FOLLOWING DRAWING

\*1BAR ≈14.5PSI=0.1MPA



## CNPD Parts Drawing



### GASKET

Part No.	Material	Color
7010-02 1	Silicon	White
7010-02 2	EPDM	Black
7010-02 3	FPM	Black

Item	Description	Material	Qty
1	Frame	1.4301/1.4404	1
2	Cover	1.4301/1.4404	1
3	Gasket	Silicon	1
4	Bracket	T304	1
5	Handle	Plastic/T304	1
6	Swing bolt	T304	1
7	Pin	T304	2
8	Lock ring	T304	2
9	Screw	T304	1
10	Nut	T304	2

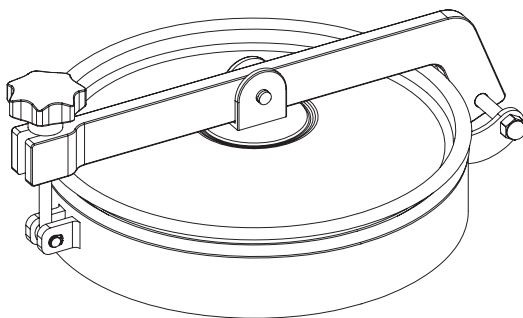
## CNPD Technology

### TECHNICAL DATA

Working pressure: . . . . . Acc. to table standard size.

### Certificates

3.1 certificate



## Options

### Stainless Steel Finishes

POLISHED WITH RA ( $\mu$ )

BEAD BLASTED

PICKLED : ON REQUEST

ELECTRO POLISHED

### Cover & Frame Range






Cover Thickness	Frame/Neck Height
-----------------	-------------------

2.0mm	85mm (3.35")
-------	--------------

2.5mm	100mm (3.94")
-------	---------------

	120mm (4.72")
--	---------------

Note: Longer heights are also available.

-  Non-pressure hygienic access covers
-  Trappes sans pression
-  Drucklose Domdeckel
-  Bocas de hombre sin presión
-  Chiusino circolare

- ◆ 7016 450
- ◆ 7016 500
- ◆ 7016 600

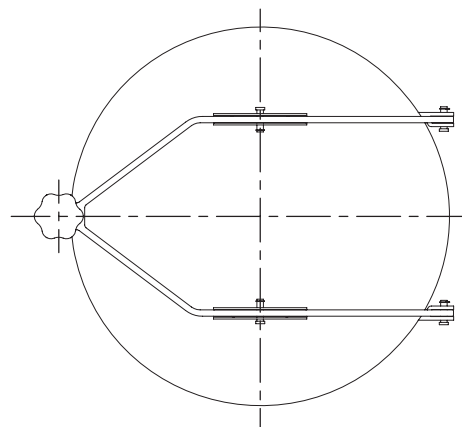
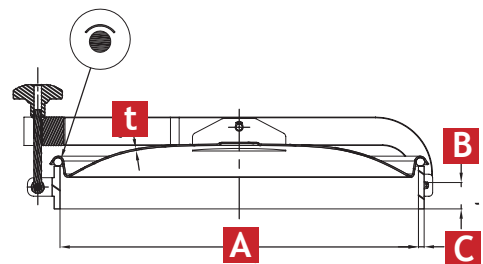


STANDARD SIZE/\* At temperature 50°C /122 °F

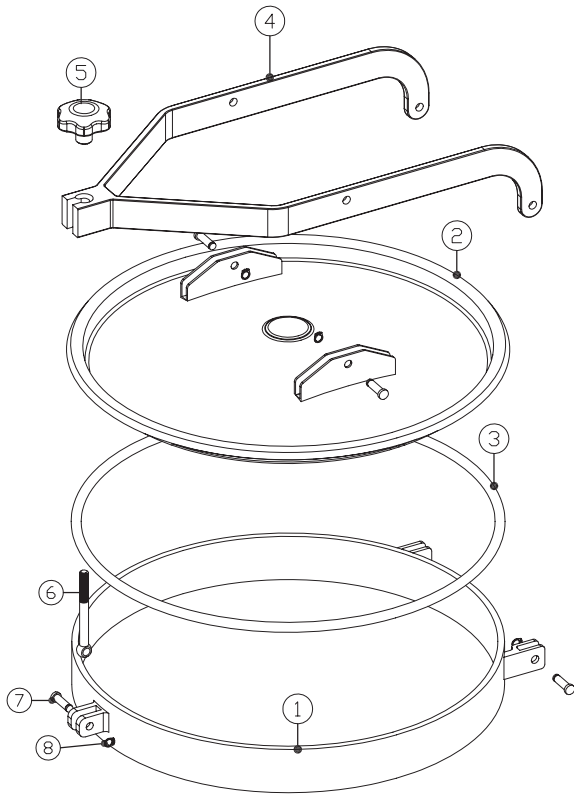
CODE	A	OD×C	B	T	P.MAX
	mm	mm	mm	mm	bar
7016 450	434	450×8.0	85	2.0	0.4
7016 500	484	500×8.0	85	2.0	0.3
7016 600	584	600×8.0	85	2.0	0.2

IF YOU WANT TO CHECK FOR MORE DETAILS  
PLEASE CHECK THE FOLLOWING DRAWING

\*1BAR ≈14.5PSI=0.1MPA



## CNPE Parts Drawing



### GASKET

Part No.	Material	Color
7010-02 1	Silicon	White
7010-02 2	EPDM	Black
7010-02 3	FPM	Black

Item	Description	Material	Qty
1	Frame	1.4301/1.4404	1
2	Cover	1.4301/1.4404	1
3	Gasket	Silicon	1
4	Bracket	T304	1
5	Handle	Plastic/T304	1
6	Swing bolt	T304	1
7	Pin	T304	4
8	Lock ring	T304	4

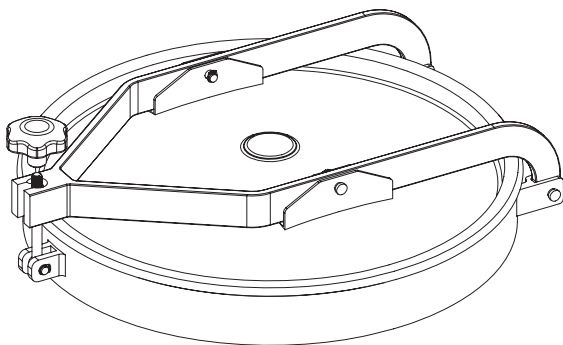
## CNPE Technology

### TECHNICAL DATA

Working pressure: . . . . .Acc. to table standard size.

### Certificates

3.1 certificate



## Options

### Stainless Steel Finishes

POLISHED WITH RA ( $\mu$ )

BEAD BLASTED

PICKLED : ON REQUEST

ELECTRO POLISHED






### Cover & Frame Range

Cover Thickness	Frame/Neck Height
-----------------	-------------------

2.0mm	85mm (3.35")
-------	--------------

2.5mm	100mm (3.94")
-------	---------------

Note: Longer heights are also available.

-  Round manhole cover with back-side opening
-  Trappe RONDE avec ouverture par renversement
-  Runder Domdeckel, nach außen öffnend
-  Tapa circular con apertura vertical
-  Chiusino circolare apertura a ribaltamento

- ◆ 7017 350
- ◆ 7017 400
- ◆ 7017 430
- ◆ 7017 450
- ◆ 7017 500
- ◆ 7017 600

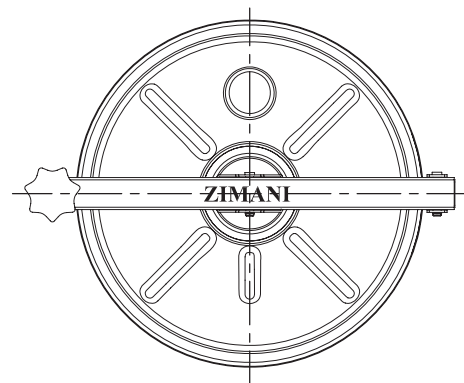
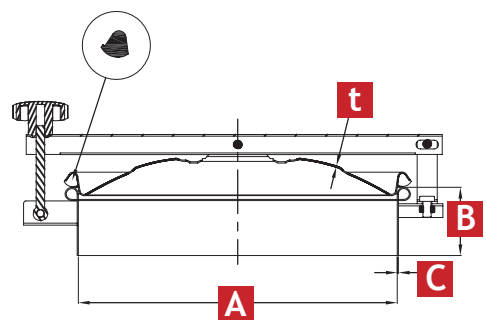


STANDARD SIZE/\* At temperature 50°C /122 °F

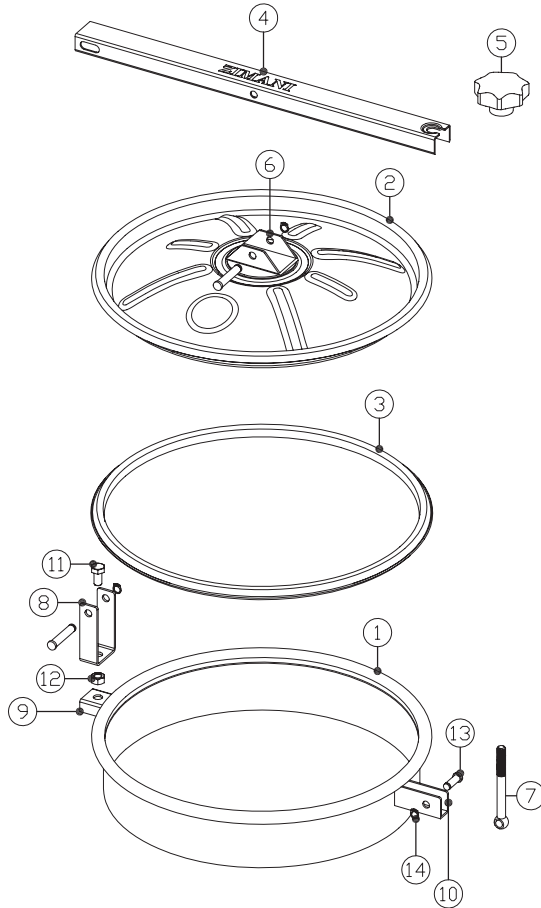
CODE	A	OD×C	B	T	P.MAX
	mm	mm	mm	mm	bar
7017 350	346	350×2.0	85	2.0	0.3
7017 400	396	400×2.0	85	2.0	0.2
7017 430	426	430×2.0	85	2.0	0.15
7017 450	446	450×2.0	85	2.0	0.12
7017 500	496	500×2.0	85	2.0	0.07
7017 600	596	600×2.0	85	2.0	0

IF YOU WANT TO CHECK FOR MORE DETAILS  
PLEASE CHECK THE FOLLOWING DRAWING

\*1BAR =14.5PSI=0.1MPA



## SERC Parts Drawing



GASKET		
Part No.	Material	Color
7010-03 1	Silicon	White
7010-03 2	EPDM	Black
7010-03 3	FPM	Black

Item	Description	Material	Qty
1	Frame	1.4301/1.4404	1
2	Cover	1.4301/1.4404	1
3	Gasket	Silicon	1
4	Bracket	304	1
5	Handle	Plastic/T304	1
6	Up hinge support	T304	1
7	Swing bolt	T304	1
8	Back hinge support	T304	1
9	Back hinge support	T304	1
10	Front hinge support	T304	1
11	Screw	T304	1
12	Nut	T304	1
13	Pin	T304	3
14	Lock ring	T304	3

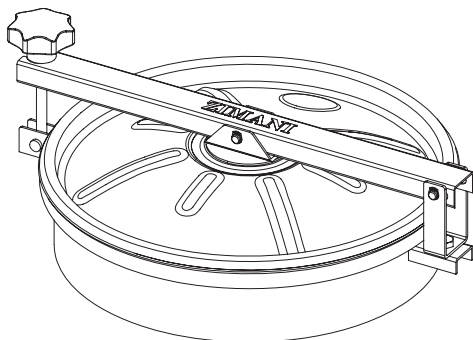
## SERC Technology

### TECHNICAL DATA

Working pressure: . . . . . Acc. to table standard size.

### Certificates

3.1 certificate



## Options

### Stainless Steel Finishes

POLISHED WITH RA ( $\mu$ )

BEAD BLASTED

PICKLED : ON REQUEST






ELECTRO POLISHED

### Cover & Frame Range

Cover Thickness	Frame/Neck Height
2.0mm	85mm (3.35")
2.5mm	100mm (3.94")
	120mm (4.72")
	150mm (5.91")
	200mm (7.76")
	250mm (9.85")

Note: Longer heights are also available.



-  Round manwaydoor, opening outwards
-  Porte ronde avec ouverture à l'extérieur
-  Runder Mannlochtür, schwenkbar nach außen (außenöffnung)
-  Puerta circular de apertura externa
-  Portella circolare ad apertura esterna

- ◆ 7018 350
- ◆ 7018 400
- ◆ 7018 430
- ◆ 7018 450
- ◆ 7018 500
- ◆ 7018 600

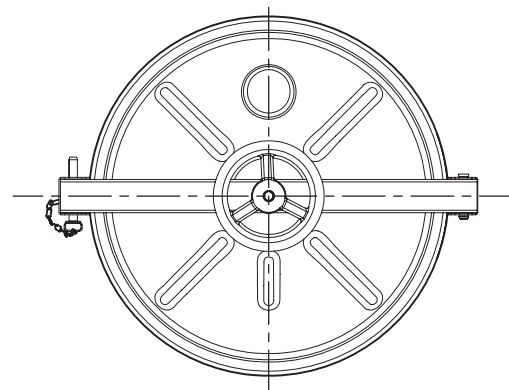
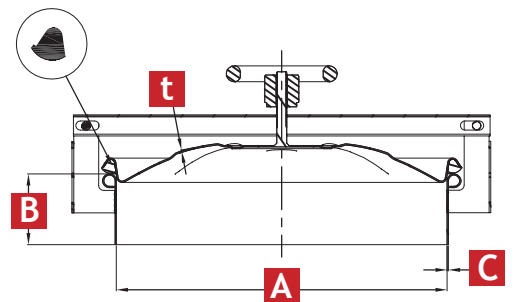


STANDARD SIZE/\* At temperature 50°C /122 °F

CODE	A	OD×C	B	T	P.MAX
	mm	mm	mm	mm	bar
7018 350	346	350×2.0	85	2.0	0.2
7018 400	396	400×2.0	85	2.0	0.15
7018 430	426	430×2.0	85	2.0	0.15
7018 450	446	450×2.0	85	2.0	0.1
7018 500	496	500×2.0	85	2.0	0.1
7018 600	596	600×2.0	85	2.0	0

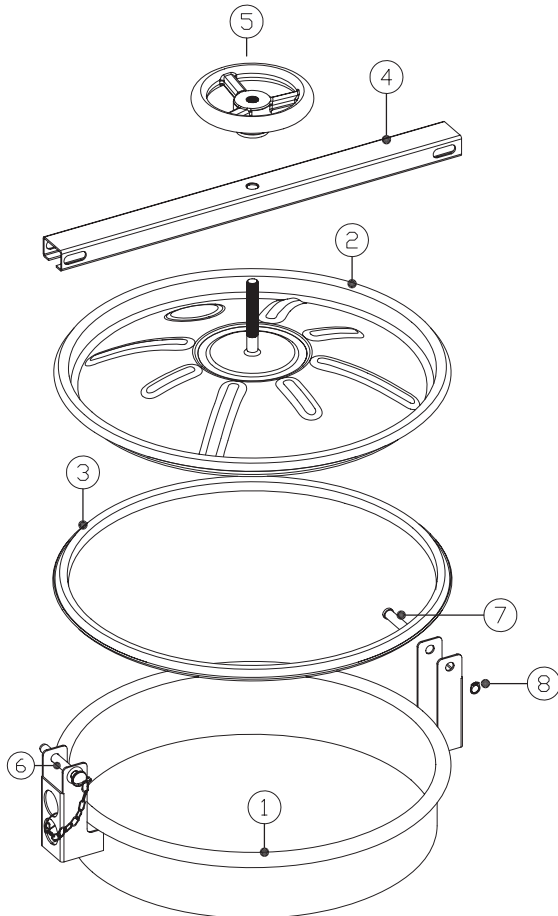
IF YOU WANT TO CHECK FOR MORE DETAILS  
PLEASE CHECK THE FOLLOWING DRAWING

\*1BAR =14.5PSI=0.1MPA





## SERD Parts Drawing



### GASKET

Part No.	Material	Color
7010-03 1	Silicon	White
7010-03 2	EPDM	Black
7010-03 3	FPM	Black

Item	Description	Material	Qty
1	Frame	1.4301/1.4404	1
2	Cover	1.4301/1.4404	1
3	Gasket	Silicon	1
4	Bracket	304	1
5	Hand wheel	Plastic/T304	1
6	Pin Lock	T304	1
7	Pin	T304	1
8	Lock ring	T304	1

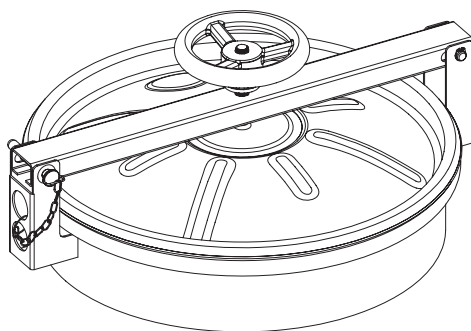
## SERD Technology

### TECHNICAL DATA

Working pressure: . . . . . Acc. to table standard size.

### Certificates

3.1 certificate



## Options

### Stainless Steel Finishes

POLISHED WITH RA ( $\mu$ )

BEAD BLASTED






PICKLED : ON REQUEST

ELECTRO POLISHED

### Cover & Frame Range

Cover Thickness	Frame/Neck Height
2.0mm	85mm (3.35")
2.5mm	100mm (3.94")
	120mm (4.72")
	150mm (5.91")
	200mm (7.76")
	250mm (9.85")

Note: Longer heights are also available.

-  Round manhole cover with glass pane
-  Trappe ronde avec le verre
-  Runder Domdeckel mit Glasscheibe
-  Tapa circular con el vidrio
-  Chiusino circolare con vetro

- ◆ 7019 450
- ◆ 7019 500
- ◆ 7019 550
- ◆ 7019 600



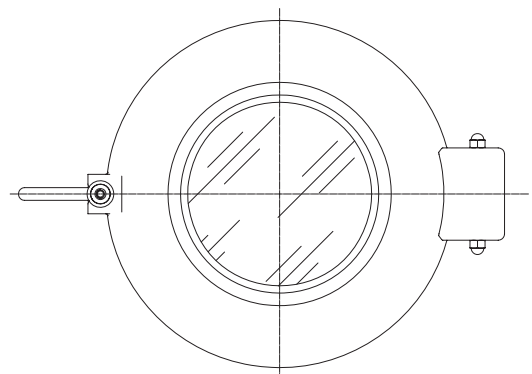
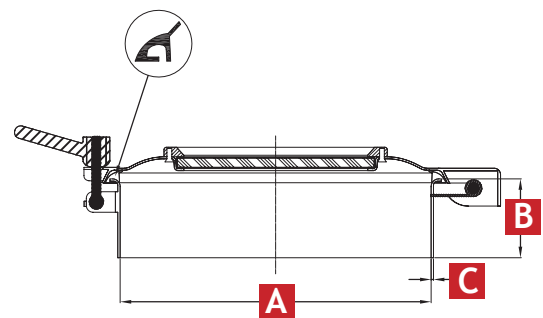
**STANDARD SIZE/\*** At temperature 50°C /122 °F

CODE	A	OD×C	B	P.MAX
	mm	mm	mm	bar
7019 450	444	450×3.0	100	0.2
7019 500	494	500×3.0	100	0.15
7019 550	544	550×3.0	100	0.07
7019 600	594	600×3.0	100	0

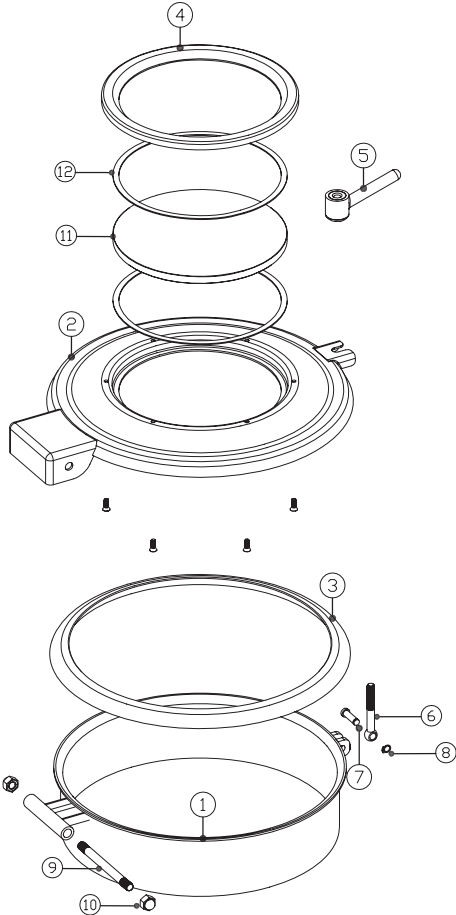
IF YOU WANT TO CHECK FOR MORE DETAILS

PLEASE CHECK THE FOLLOWING DRAWING

\*1BAR ≈14.5PSI≈0.1MPA



## NLIW Parts Drawing



GASKET		
Part No.	Material	Color
7010-01 1	Silicon	White
7010-01 2	EPDM	Black
7010-01 3	FPM	Black

Item	Description	Material	Qty
1	Frame	1.4301/1.4404	1
2	Cover	1.4301/1.4404	1
3	Gasket	Silicon	1
4	Top flange	T304	1
5	Handle	1.4301	1
6	Swing bolt	T304	1
7	Pin	T304	1
8	Lock ring	T304	1
9	Screw	T304	1
10	Nut	T304	2
11	Glass	Tempered glass	1
12	Seal	PTFE	2

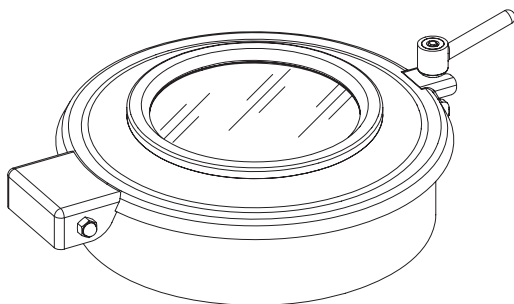
## NLIW Technology

### TECHNICAL DATA

Working pressure: . . . . . Acc. to table standard size

### Certificates

EN10204. 3.1 certificate



## Options

### Stainless Steel Finishes

POLISHED WITH RA ( $\mu$ )

BEAD BLASTED






PICKLED : ON REQUEST

ELECTRO POLISHED

### Cover & Frame Range

Cover Thickness	Frame/Neck Height
2.5mm	85mm (3.35")
3.0mm	100mm (3.94")
	120mm (4.72")
	150mm (5.91")
	200mm (7.76")
	250mm (9.85")

Note: Longer heights are also available.

-  Round pressure covers with glass pane
-  Trappe hublot à pression avec le verre
-  Runder Druckdeckel mit Glasscheibe
-  Tapa circular a presión con el vidrio
-  Chiusino circolare a pressione con vetro

- ◆ 7020 200
- ◆ 7020 300
- ◆ 7020 400
- ◆ 7020 450
- ◆ 7020 500
- ◆ 7020 600

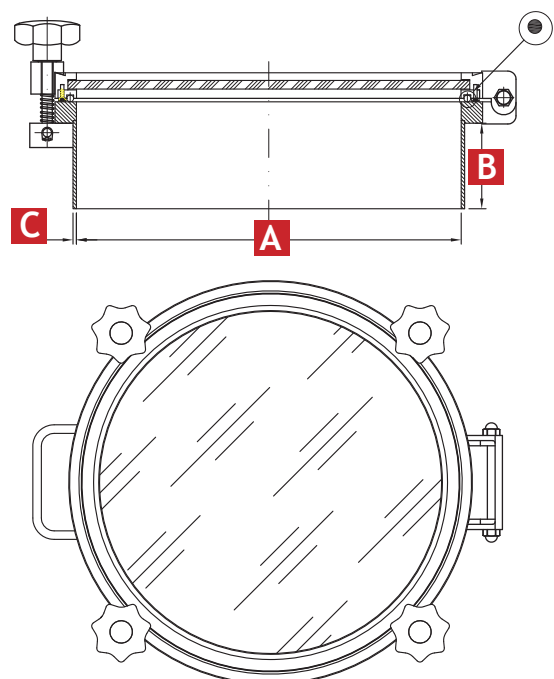


**STANDARD SIZE/\*** At temperature 50°C /122 °F

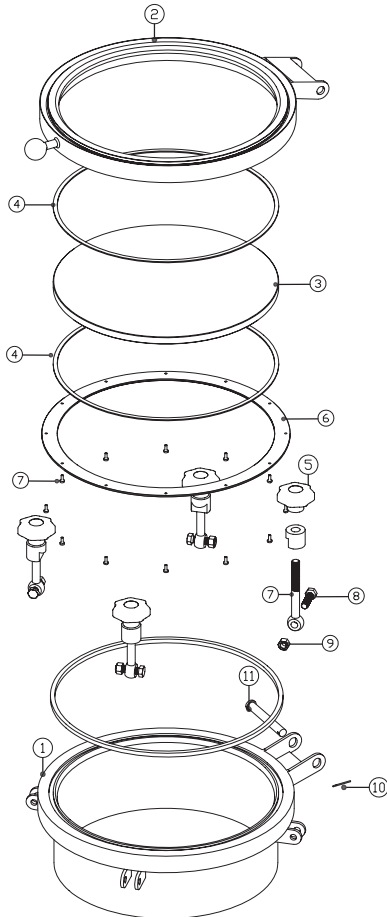
CODE	A	OD×C	BOLTS	B	P.MAX
	mm	mm	No. of	mm	bar
7020 200	200	206×4.0	4	100	2.5
7020 300	300	306×4.0	4/6	100	2.0
7020 400	400	406×4.0	4/6	100	1.5
7020 450	450	456×4.0	4/6	100	1.5
7020 500	500	506×4.0	4/6	100	1.0
7020 600	600	606×4.0	4/6	100	0.5

IF YOU WANT TO CHECK FOR MORE DETAILS  
PLEASE CHECK THE FOLLOWING DRAWING

\*1BAR ≈14.5PSI=0.1MPA



## LIWI Parts Drawing



GASKET		
Part No.	Material	Color
7010-04 1	Silicon	White
7010-04 2	EPDM	Black
7010-04 3	FPM	Black

Item	Description	Material	Qty
1	Frame	1.4301/1.4404	1
2	Cover	1.4301/1.4404	1
3	Glass	Tempered glass	1
4	Seal	PTFE	2
5	Handle	Plastic/1.4301	4
6	Flange	T304	1
7	Swing bolt	T304	4
8	Screw	T304	4
9	Nut	T304	4
10	Cotter Pin	T304	1
11	Pin	T304	1

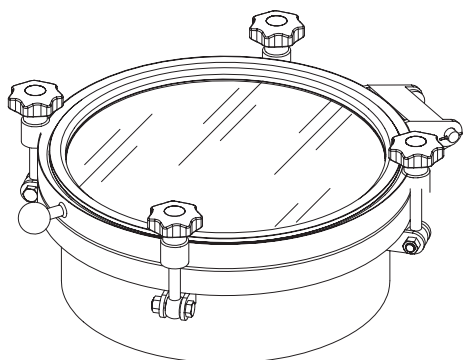
## LIWI Technology

### TECHNICAL DATA

Working pressure: . . . . . Acc. to table standard size.

### Certificates

EN10204. 3.1 certificate



## Options

### Stainless Steel Finishes

POLISHED WITH RA ( $\mu$ )

BEAD BLASTED






PICKLED : ON REQUEST

ELECTRO POLISHED

### Cover & Frame Range

Cover Thickness	Frame/Neck Height
20mm	85mm (3.35")
22mm	100mm (3.94")
35mm	120mm (4.72")
	150mm (5.91")
	200mm (7.76")
	250mm (9.85")

Note: Longer heights are also available.

-  Round pressure covers with glass pane
-  Trappe hublot à pression avec le verre
-  Runder Druckdeckel mit Glasscheibe
-  Tapa circular a presión con el vidrio
-  Chiusino circolare a pressione con vetro

- ◆ 7021 200
- ◆ 7021 300
- ◆ 7021 400
- ◆ 7021 450
- ◆ 7021 500
- ◆ 7021 600

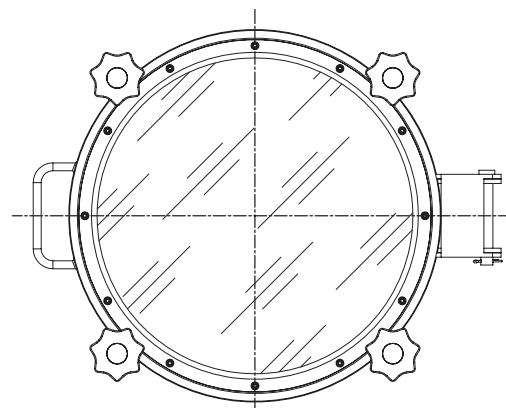
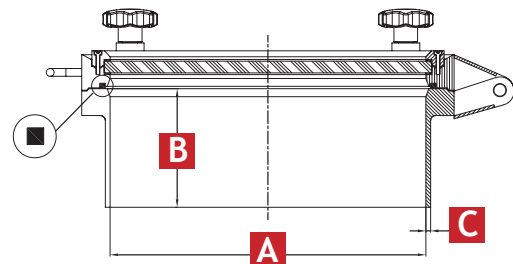


STANDARD SIZE/\* At temperature 50°C /122 °F

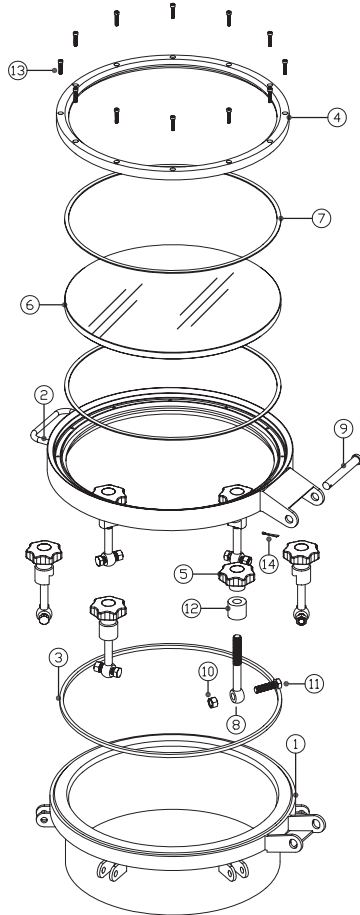
CODE	A	OD×C	BOLTS	B	P.MAX
	mm	mm	No. of	mm	bar
7021 200	200	206×4.0	4	100	2.5
7021 300	300	306×4.0	4/6	100	2.0
7021 400	400	406×4.0	4/6	100	1.5
7021 450	450	456×4.0	4/6	100	1.5
7021 500	500	506×4.0	4/6	100	1.0
7021 600	600	606×4.0	4/6	100	0.5

IF YOU WANT TO CHECK FOR MORE DETAILS  
PLEASE CHECK THE FOLLOWING DRAWING

\*1BAR =14.5PSI=0.1MPA



## LIWEI Parts Drawing



GASKET		
Part No.	Material	Color
7010-04 1	Silicon	White
7010-04 2	EPDM	Black
7010-04 3	FPM	Black

Item	Description	Material	Qty
1	Frame	1.4301/1.4404	1
2	Cover	1.4301/1.4404	1
3	Gasket	Silicon	1
4	Flange	T304	1
5	Handle	Plastic/1.4301	6
6	Sight glass	Tempered glass	1
7	Seal	PTFE	2
8	Swing bolt	T304	6
9	Pin	T304	1
10	Nut	T304	6
11	Screw	T304	6
12	Hub	T304	6
13	Screw	T304	12
14	Cotter Pin	T304	1

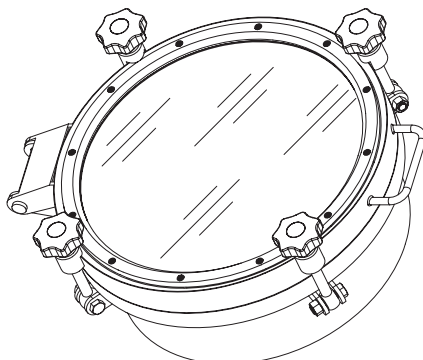
## LIWEI Technology

### TECHNICAL DATA

Working pressure: . . . . . Acc. to table standard size.

### Certificates

EN10204. 3.1 certificate



## Options

### Stainless Steel Finishes

POLISHED WITH RA ( $\mu$ )

BEAD BLASTED

PICKLED : ON REQUEST






ELECTRO POLISHED

### Cover & Frame Range

Cover Thickness	Frame/Neck Height
20mm	85mm (3.35")
22mm	100mm (3.94")
35mm	120mm (4.72")
	150mm (5.91")
	200mm (7.76")
	250mm (9.85")

Note: Longer heights are also available.



-  Pressure round external manlids
-  Portes extérieures rondes à pression
-  Runde Außentüren mit Druck
-  Puertas exteriores redondas con presión
-  Chiusino superiore con graffe di chiusura

- ◆ 7022 200
- ◆ 7022 300
- ◆ 7022 350
- ◆ 7022 400
- ◆ 7022 430
- ◆ 7022 450
- ◆ 7022 500
- ◆ 7022 600

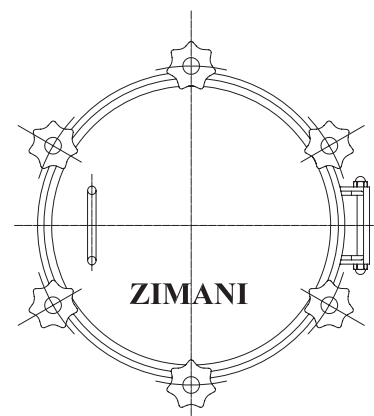
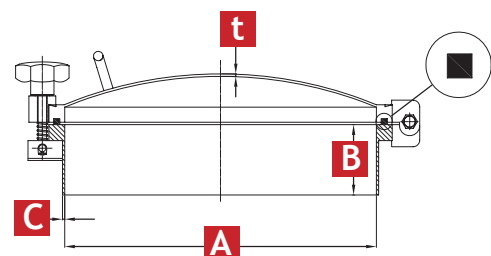


**STANDARD SIZE/\*** At temperature 50°C /122 °F

CODE	A	OD×C	BOLTS	B	t	P.MAX
	mm	mm	No. of	mm	mm	bar
7022 200	200	206×3.0	4	100	3.0	5.5
7022 300	300	306×3.0	4/6	100	3.0	5.5
7022 350	350	358×4.0	4/6	100	3.0	5
7022 400	450	458×4.0	4/6/8	100	3.0	4
7022 430	430	438×4.0	4/6/8	100	3.0	4
7022 450	450	458×4.0	6/8/10	100	3.0	3.5
7022 500	500	508×4.0	6/8/10	100	3.0	2.5
7022 600	600	608×4.0	6/8/10/12	100	4.0	2

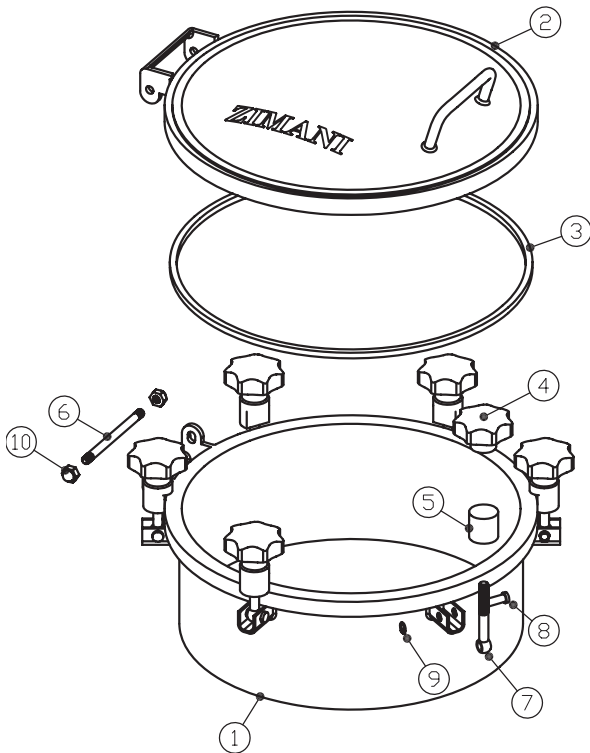
IF YOU WANT TO CHECK FOR MORE DETAILS  
PLEASE CHECK THE FOLLOWING DRAWING

\*1BAR ≈14.5PSI=0.1MPA





## LPSD Parts Drawing



GASKET		
Part No.	Material	Color
7010-04 1	Silicon	White
7010-04 2	EPDM	Black
7010-04 3	FPM	Black

Item	Description	Material	Qty
1	Frame	1.4301/1.4404	1
2	Cover	1.4301/1.4404	1
3	Gasket	Silicon	1
4	Handle	Plastic/1.4301	6
5	Hub	T304	6
6	Screw	T304	1
7	Swing Bolt	T304	6
8	Pin	T304	6
9	Lock Ring	T304	6
10	Nut	T304	2

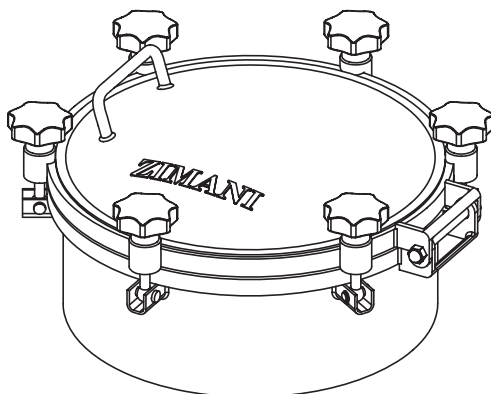
## LPSD Technology

### TECHNICAL DATA

Working pressure: . . . . . Acc. to table standard size.

### Certificates

EN10204. 3.1 certificate



## Options

### Stainless Steel Finishes

POLISHED WITH RA ( $\mu$ )

BEAD BLASTED






PICKLED : ON REQUEST

ELECTRO POLISHED

### Cover & Frame Range

Cover Thickness	Frame/Neck Height
3.0 mm	85mm (3.35")
3.5 mm	100mm (3.94")
4.0 mm	120mm (4.72")
	150mm (5.91")
	200mm (7.76")
	250mm (9.85")

Note: Longer heights are also available.

-  Pressure round external manlids
-  Portes extérieures rondes à pression
-  Runde Außentüren mit Druck
-  Puertas exteriores redondas con presión
-  Chiusino superiore con graffe di chiusura

- ◆ 7023 200
- ◆ 7023 300
- ◆ 7023 350
- ◆ 7023 400
- ◆ 7023 430
- ◆ 7023 450
- ◆ 7023 500

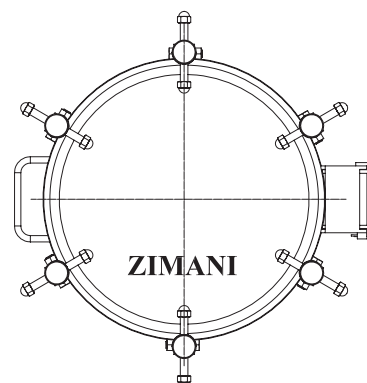
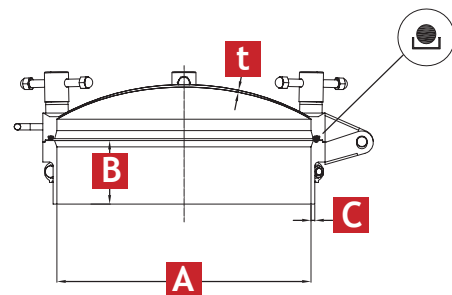


**STANDARD SIZE/\*** At temperature 50°C /122 °F

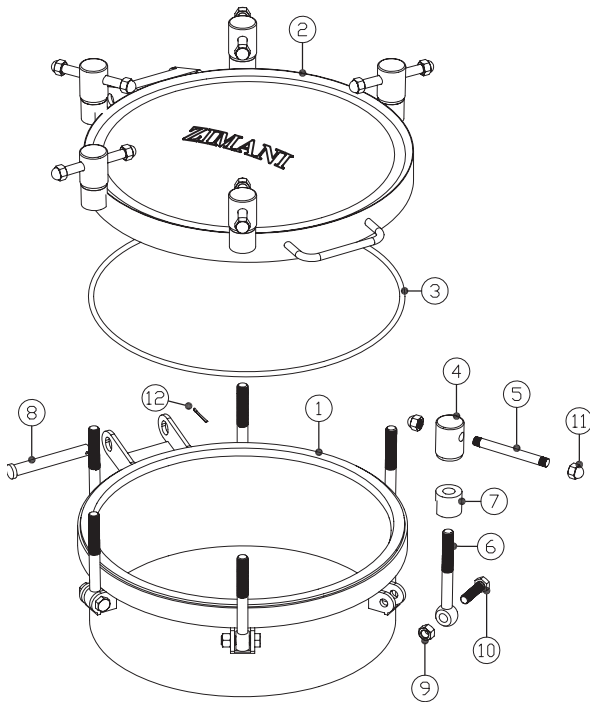
CODE	A	OD×C	BOLTS	B	T	P.MAX
	mm	mm	No. of	mm	mm	bar
7023 200	200	208×4.0	4	100	3.5	7.0
7023 300	300	308×4.0	4/6	100	3.5	6.5
7023 350	350	358×4.0	4/6	100	3.5	6.0
7023 400	450	458×4.0	4/6/8	100	3.5	5.5
7023 430	430	438×4.0	4/6/8	100	3.5	5.5
7023 450	450	458×4.0	6/8/10	100	3.5	5.0
7023 500	500	510×5.0	6/8/10	100	4.0	4.5

IF YOU WANT TO CHECK FOR MORE DETAILS  
PLEASE CHECK THE FOLLOWING DRAWING

\*1BAR ≈14.5PSI=0.1MPA



## HPSD Parts Drawing



### GASKET

Part No.	Material	Color
7010-09 1	Silicon	White
7010-09 2	EPDM	Black
7010-09 3	FPM	Black

Item	Description	Material	Qty
1	Frame	1.4301/1.4404	1
2	Cover	1.4301/1.4404	1
3	Gasket	Silicon	1
4	Handle part	T304	6
5	Screw	T304	6
6	Swing bolt	T304	6
7	Hub	T304	6
8	Pin	T304	1
9	Nut	T304	6
10	Screw	T304	6
11	Nut	T304	12
12	Cotter Pin	T304	1

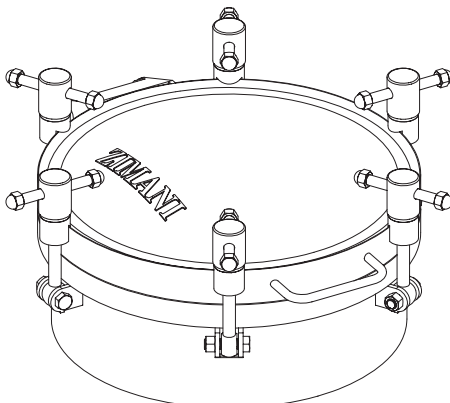
## HPSD Technology

### TECHNICAL DATA

Working pressure: . . . . .Acc. to table standard size.

### Certificates

EN10204. 3.1 certificate



## Options

### Stainless Steel Finishes

POLISHED WITH RA ( $\mu$ )

BEAD BLASTED






PICKLED : ON REQUEST

ELECTRO POLISHED

### Cover & Frame Range

Cover Thickness	Frame/Neck Height
3.0 mm	85mm (3.35")
3.5 mm	100mm (3.94")
4.0 mm	120mm (4.72")
	150mm (5.91")
	200mm (7.76")
	250mm (9.85")

Note: Longer heights are also available.

-  Non-pressure hygienic access covers
-  Trappes aseptiques sans pression
-  Drucklose Domdeckel, steril
-  Bocas de hombre asépticas sin presión
-  Chiusino circolare

◆ 7024 450

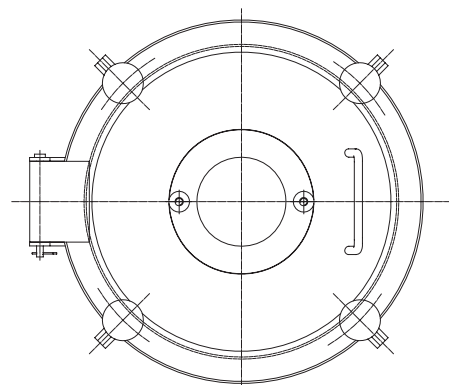
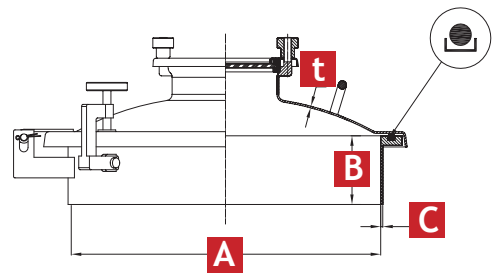


**STANDARD SIZE/\*** At temperature 50°C /122 °F

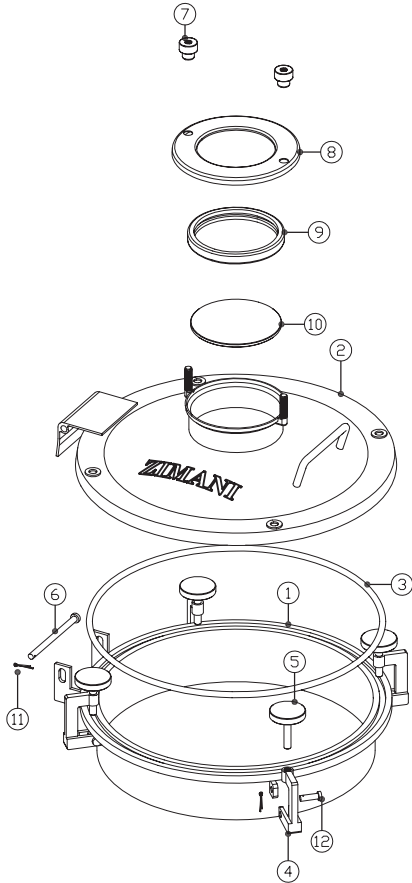
CODE	A	OD×C	B	T	P.MAX
	mm	mm	mm	mm	bar
7024 450	450	456×3.0	100	3.0	0.3

IF YOU WANT TO CHECK FOR MORE DETAILS  
PLEASE CHECK THE FOLLOWING DRAWING

\*1BAR =14.5PSI=0.1MPA



## JPSD Parts Drawing



GASKET		
Part No.	Material	Color
7010-09 1	Silicon	White
7010-09 2	EPDM	Black
7010-09 3	FPM	Black

Item	Description	Material	Qty
1	Frame	1.4301/1.4404	1
2	Cover	1.4301/1.4404	1
3	Gasket	Silicon	1
4	Support	T304	4
5	Handle	T304	4
6	Pin	T304	1
7	Nut	T304	2
8	SG cover	T304	1
9	SG seal	Silicon	1
10	Sight glass	Tempered glass	1
11	Cotter Pin	T304	5
12	Pin	T304	4

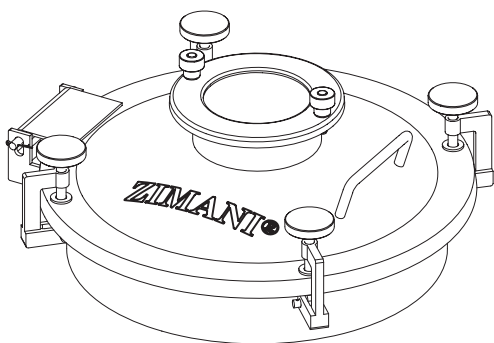
## JPSD Technology

### TECHNICAL DATA

Working pressure: . . . . .Acc. to table standard size.

### Certificates

EN10204. 3.1 certificate



## Options

### Stainless Steel Finishes

POLISHED WITH RA ( $\mu$ )

BEAD BLASTED






PICKLED : ON REQUEST

ELECTRO POLISHED

### Cover & Frame Range

Cover Thickness	Frame/Neck Height
2.5mm	85mm (3.35")
3.0mm	100mm (3.94")
	120mm (4.72")
	150mm (5.91")
	200mm (7.76")
	250mm (9.85")

Note: Longer heights are also available.

-  Round autoclave manlids
-  Portes autoclaves rondes
-  Runde Autoklaventüren
-  Puertas autoclaves redondas
-  Chiusino circolare

- ◆ 7025 430
- ◆ 7025 450
- ◆ 7025 500
- ◆ 7025 600

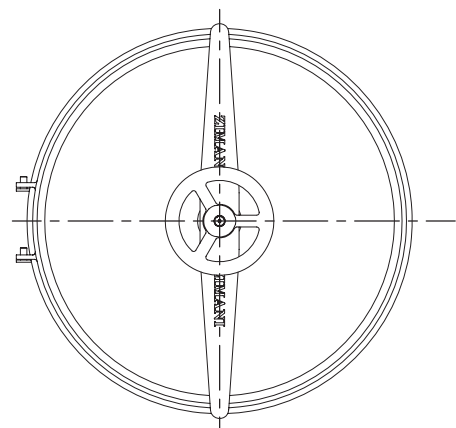
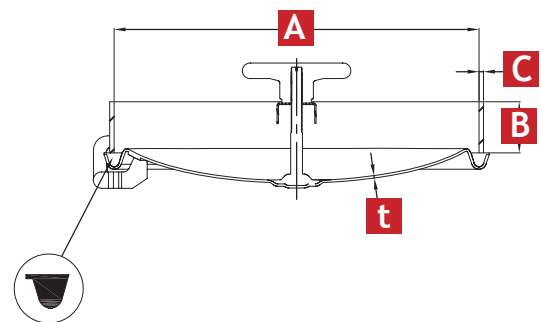


**STANDARD SIZE/\*** At temperature 50°C /122 °F

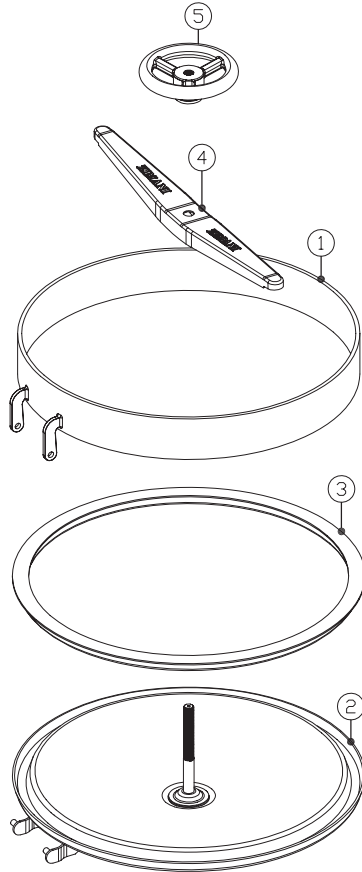
CODE	A	OD×C	B	T	P.MAX
	mm	mm	No. of	mm	bar
7025 430	420	430×5.0	100	3.0	0.12
7025 450	440	450×5.0	100	3.0	0.11
7025 500	490	500×5.0	100	3.0	0.1
7025 600	590	600×5.0	100	3.0	0

IF YOU WANT TO CHECK FOR MORE DETAILS  
PLEASE CHECK THE FOLLOWING DRAWING

\*1BAR ≈14.5PSI≈0.1MPA



## CIWD Parts Drawing



### GASKET

Part No.	Material	Color
7010-05 1	Silicon	White
7010-05 2	EPDM	Black
7010-05 3	FPM	Black

Item	Description	Material	Qty
1	Frame	1.4301/1.4404	1
2	Cover	1.4301/1.4404	1
3	Gasket	Silicon	1
4	Bracket	T304	1
5	Handle	Plastic/T304	1

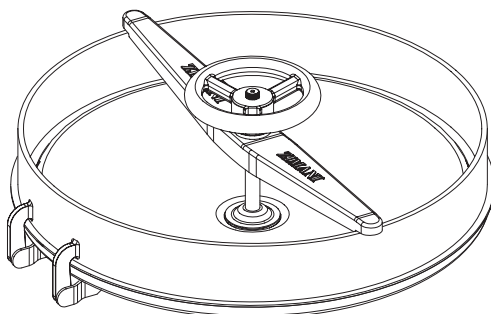
## CIWD Technology

### TECHNICAL DATA

Working pressure: . . . . . Acc. to table standard size.

### Certificates

EN10204. 3.1 certificate



## Options

### Stainless Steel Finishes

POLISHED WITH RA ( $\mu$ )

BEAD BLASTED

PICKLED : ON REQUEST






ELECTRO POLISHED

### Cover & Frame Range

Cover Thickness	Frame/Neck Height
2.0mm	85mm (3.35")
2.5mm	100mm (3.94")
3.0mm	120mm (4.72")

Note: Longer heights are also available.



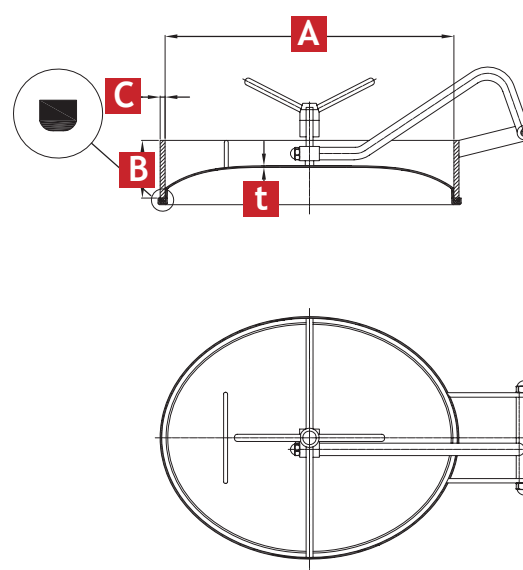
-  **OVAL Manwaydoor inwards opening**
-  **Porte OVALE avec ouverture à l'intérieur**
-  **Ovale Mannlochtür, schwenkbar nach innen (Innenöffnung)**
-  **Puerta OVAL de apertura interna**
-  **Portella Ovale apertura interna**

- ◆ 7026 430
- ◆ 7026 435
- ◆ 7026 450
- ◆ 7026 530
- ◆ 7026 535
- ◆ 7026 635



### STANDARD SIZE/\* At temperature 50°C /122 °F

CODE	A	C	B	t	P.MAX
	mm	mm	mm	mm	bar
7026 430	414×314	8	75	2.5	3.0
7026 435	419×319	8	75	2.5	3.0
7026 450	434×334	8	75	3.0	2.5
7026 530	510×410	10	100	3.0	2
7026 535	511×411	12	100	3.0	2
7026 635	611×501	12	100	4.0	1.5

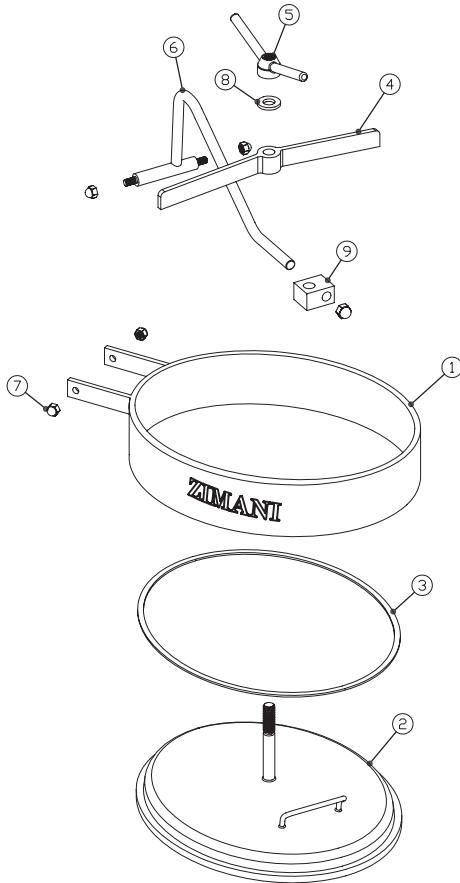


IF YOU WANT TO CHECK FOR MORE DETAILS  
PLEASE CHECK THE FOLLOWING DRAWING

\*1BAR =14.5PSI=0.1MPA



## NKD Parts Drawing



### GASKET

Part No.	Material	Color
7010 06 1	Silicon	White
7010 06 2	EPDM	Black
7010 06 3	FPM	Black

Item	Description	Material	Qty
1	Frame	1.4301/1.4404	1
2	Cover	1.4301/1.4404	1
3	Gasket	EPDM	1
4	Bracket	T304	1
5	Top nut	Plastic/T304	1
6	Suspension arm	T304	1
7	Nut	T304	5
8	Trust collar	T304	1
9	Hub	T304	1

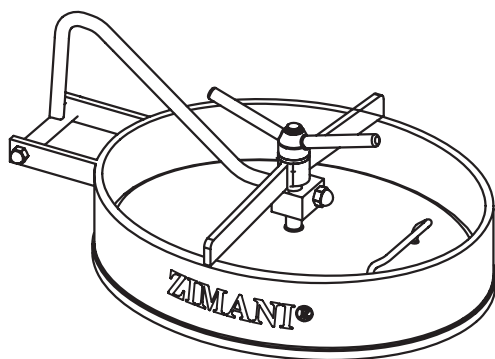
## NKD Technology

### TECHNICAL DATA

Working pressure: . . . . . Acc. to table standard size.

### Certificates

EN10204. 3.1 certificate



## Options

### Stainless Steel Finishes

POLISHED WITH RA ( $\mu$ )

BEAD BLASTED






PICKLED : ON REQUEST

ELECTRO POLISHED

### Cover & Frame Range

Cover Thickness	Frame/Neck Height
2.5mm	75mm (2.95")
3.0mm	100mm (3.94")
4.0mm	120mm (4.72")
	150mm (5.91")
	200mm (7.76")

Note: Longer heights are also available.

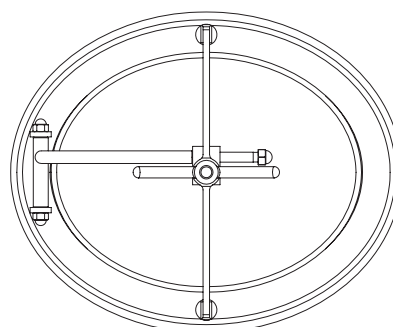
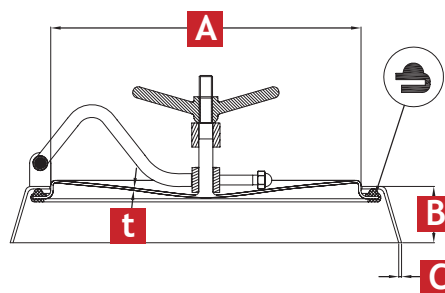
-  **OVAL Manwaydoor inwards opening**
-  **Porte OVALE avec ouverture à l'intérieur**
-  **Ovale Mannlochtür, schwenkbar nach innen (Innenöffnung)**
-  **Puerta OVAL de apertura interna**
-  **Portella Ovale apertura interna**

- ◆ 7027 550
- ◆ 7027 555
- ◆ 7027 565
- ◆ 7027 580
- ◆ 7027 608



**STANDARD SIZE/\*** At temperature 50°C /122 °F

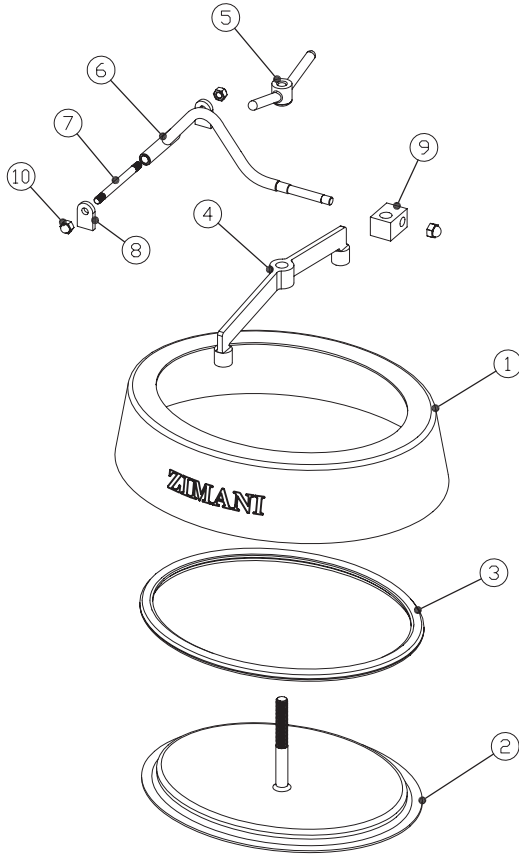
CODE	A	E×C	B	t	P.MAX
	mm	mm	mm	mm	bar
7027 550	440×340	550×450×4	80	3.0	3.0
7027 555	440×340	555×455×5	80	4.0	3.0
7027 565	440×340	565×465×5	100	4.0	3.0
7027 580	440×340	580×480×5	133	4.0	3.0
7027 608	440×340	608×508×5	200	4.0	3.0



IF YOU WANT TO CHECK FOR MORE DETAILS  
PLEASE CHECK THE FOLLOWING DRAWING

\*1BAR =14.5PSI=0.1MPA

## NKA Parts Drawing



GASKET		
Part No.	Material	Color
7010-07 1	Silicon	White
7010-07 2	EPDM	Black
7010-07 3	FPM	Black

Item	Description	Material	Qty
1	Frame	1.4301/1.4404	1
2	Cover	1.4301/1.4404	1
3	Gasket	EPDM	1
4	Bracket	T304	1
5	Top nut	T304	1
6	Suspension arm	T304	1
7	Screw	T304	1
8	Hinge ear	T304	2
9	Hub	T304	1
10	Nut	T304	3

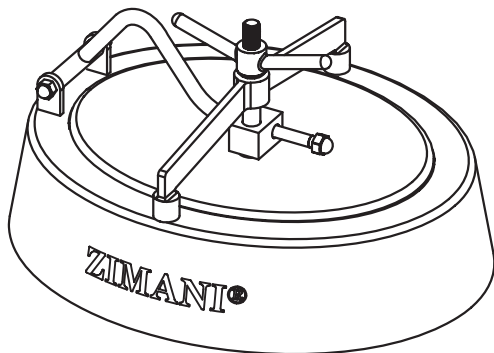
## NKA Technology

### TECHNICAL DATA

Working pressure: . . . . . Acc. to table standard size.

### Certificates

EN10204. 3.1 certificate



## Options

### Stainless Steel Finishes

POLISHED WITH RA ( $\mu$ )

BEAD BLASTED






PICKLED : ON REQUEST

ELECTRO POLISHED

### Cover & Frame Range

Cover Thickness	Frame/Neck Height
4.0mm	75mm(2.95")
	100mm (3.94")
	133mm(5.23")

Note: Longer heights are also available.

-  OVAL Manwaydoor inwards opening
-  Porte Ovale avec ouverture à l'intérieur
-  Ovale Mannlochtür, schwenkbar nach innen (Innenöffnung)
-  Puerta Oval de apertura interna
-  Portella Ovale apertura interna

◆ 7028 458

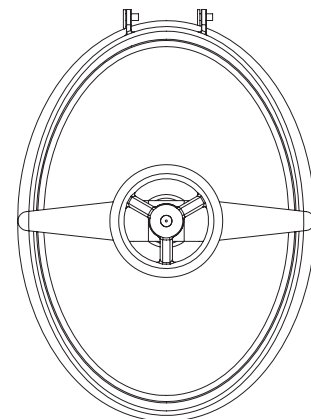
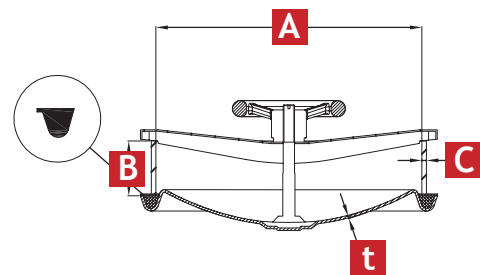


STANDARD SIZE/\* At temperature 50°C /122 °F

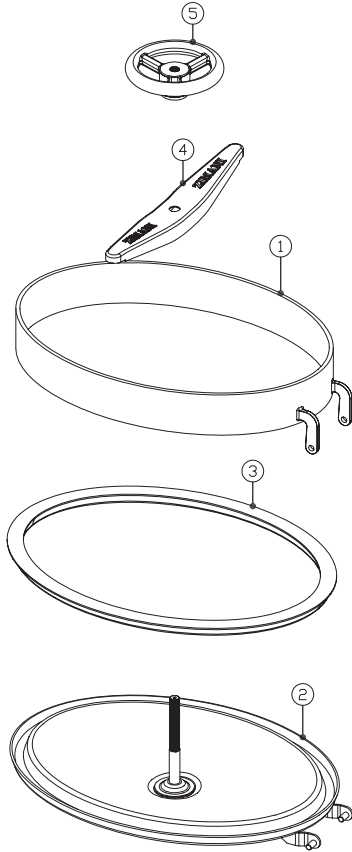
CODE	A	C	B	T	P.MAX
	mm	mm	mm	mm	bar
7028 458	446×311	6	80	3.0	1.5

IF YOU WANT TO CHECK FOR MORE DETAILS  
PLEASE CHECK THE FOLLOWING DRAWING

\*1BAR =14.5PSI=0.1MPA



## ZKD Parts Drawing



GASKET		
Part No.	Material	Color
7010-05 1	Silicon	White
7010-05 2	EPDM	Black
7010-05 3	FPM	Black

Item	Description	Material	Qty
1	Frame	1.4301/1.4404	1
2	Cover	1.4301/1.4404	1
3	Gasket	EPDM	1
4	Bracket	T304	1
5	Hand Wheel	Plastic/T304	1

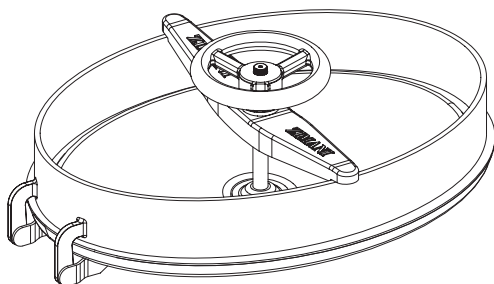
## ZKD Technology

### TECHNICAL DATA

Working pressure: . . . . . Acc. to table standard size.

### Certificates

EN10204. 3.1 certificate



## Options

### Stainless Steel Finishes

POLISHED WITH RA ( $\mu$ )

BEAD BLASTED






PICKLED : ON REQUEST

ELECTRO POLISHED

### Cover & Frame Range

Cover Thickness	Frame/Neck Height
2.5mm	80mm (3.15")
3.0mm	100mm (3.94")
	120mm (4.72")
	150mm (5.91")
	200mm (7.76")

Note: Longer heights are also available.

-  **OVAL Manwaydoor inwards opening**
-  **Porte Ovale avec ouverture à l'intérieur**
-  **Ovale Mannlochtür, schwenkbar nach innen (Innenöffnung)**
-  **Puerta Oval de apertura interna**
-  **Portella Ovale apertura interna**

◆ 7029 458

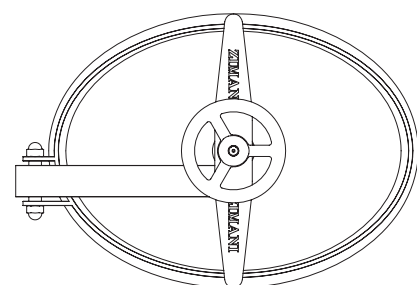
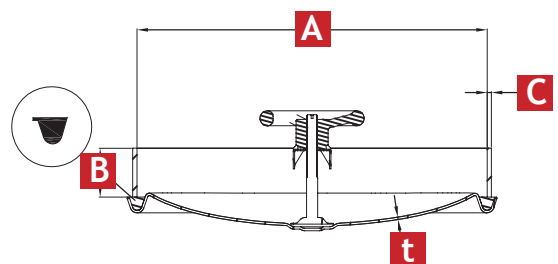


**STANDARD SIZE/\*** At temperature 50°C /122 °F

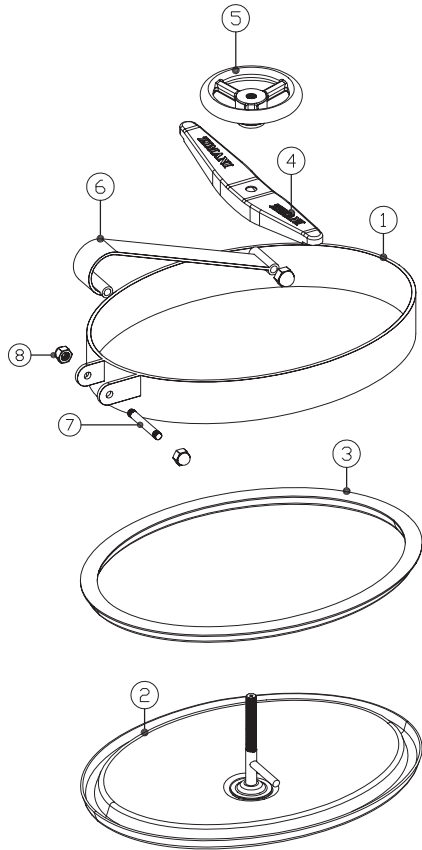
CODE	A	C	B	T	P.MAX
	mm	mm	mm	mm	bar
7029 458	446×311	6	80	3.0	1.5

IF YOU WANT TO CHECK FOR MORE DETAILS  
PLEASE CHECK THE FOLLOWING DRAWING

\*1BAR =14.5PSI=0.1MPA



## ZKE Parts Drawing



GASKET		
Part No.	Material	Color
7010-05 1	Silicon	White
7010-05 2	EPDM	Black
7010-05 3	FPM	Black

Item	Description	Material	Qty
1	Frame	1.4301/1.4404	1
2	Cover	1.4301/1.4404	1
3	Gasket	EPDM	1
4	Bracket	T304	1
5	Hand Wheel	Plastic/T304	1
6	Suspension arm	T304	1
7	Screw	T304	1
8	Nut	T304	3

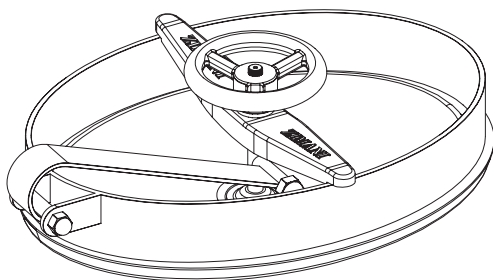
## ZKE Technology

### TECHNICAL DATA

Working pressure: . . . . .Acc. to table standard size.

### Certificates

EN10204. 3.1 certificate



## Options

### Stainless Steel Finishes

POLISHED WITH RA ( $\mu$ )

BEAD BLASTED






PICKLED : ON REQUEST

ELECTRO POLISHED

### Cover & Frame Range

Cover Thickness	Frame/Neck Height
2.5mm	80mm (3.15")
3.0mm	100mm (3.94")
	120mm (4.72")
	150mm (5.91")
	200mm (7.76")

Note: Longer heights are also available.

-  OVAL Manwaydoor inwards opening
-  Porte Ovale avec ouverture à l'intérieur
-  Ovale Mannlochtür, schwenkbar nach innen (Innenöffnung)
-  Puerta Oval de apertura interna
-  Portella Ovale apertura interna

## ◆ 7030 458

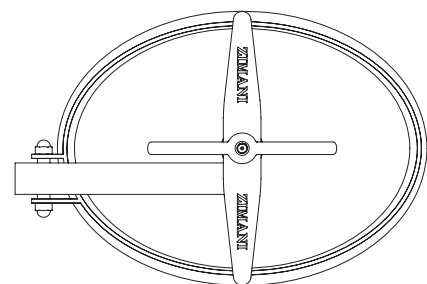
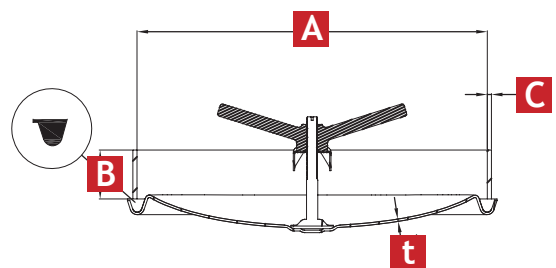


**STANDARD SIZE/\*** At temperature 50°C /122 °F

CODE	A	C	B	T	P.MAX
	mm	mm	mm	mm	bar
7030 458	446×311	6	80	3.0	1.5

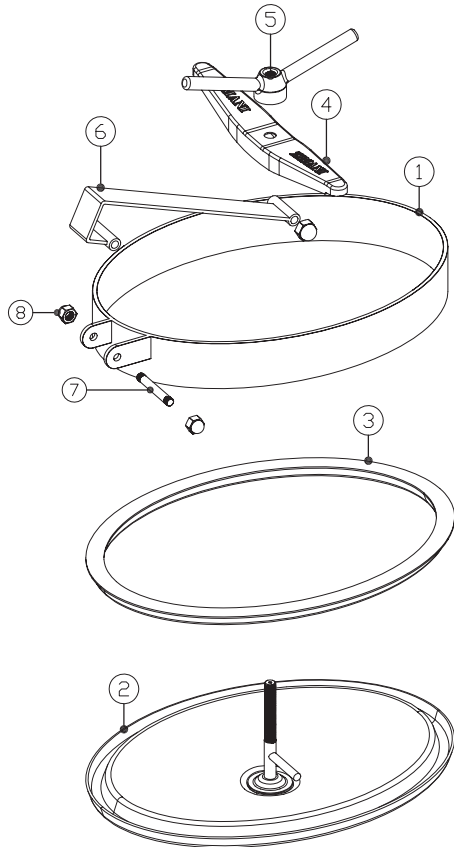
IF YOU WANT TO CHECK FOR MORE DETAILS  
PLEASE CHECK THE FOLLOWING DRAWING

\*1BAR =14.5PSI=0.1MPA





## ZKF Parts Drawing



### GASKET

Part No.	Material	Color
7010-05 1	Silicon	White
7010-05 2	EPDM	Black
7010-05 3	FPM	Black

Item	Description	Material	Qty
1	Frame	1.4301/1.4404	1
2	Cover	1.4301/1.4404	1
3	Gasket	EPDM	1
4	Bracket	T304	1
5	Top nut	T304	1
6	Suspension arm	T304	1
7	Screw	T304	1
8	Nut	T304	3

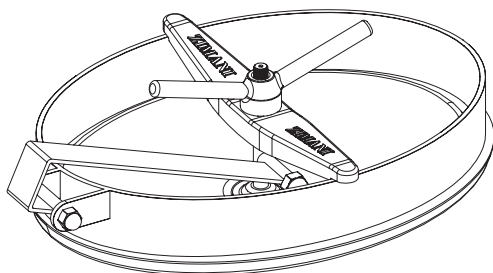
## ZKF Technology

### TECHNICAL DATA

Working pressure: . . . . .Acc. to table standard size.

### Certificates

EN10204. 3.1 certificate



## Options

### Stainless Steel Finishes

POLISHED WITH RA ( $\mu$ )

BEAD BLASTED






PICKLED : ON REQUEST

ELECTRO POLISHED

### Cover & Frame Range

Cover Thickness	Frame/Neck Height
2.5mm	80mm (3.15")
3.0mm	100mm (3.94")
	120mm (4.72")
	150mm (5.91")
	200mm (7.76")

Note: Longer heights are also available.

-  **OVAL Manwaydoor inwards opening**
-  **Porte Ovale avec ouverture à l'intérieur**
-  **Ovale Mannlochtür, schwenkbar nach innen (Innenöffnung)**
-  **Puerta Oval de apertura interna**
-  **Portella Ovale apertura interna**

◆ 7031 458

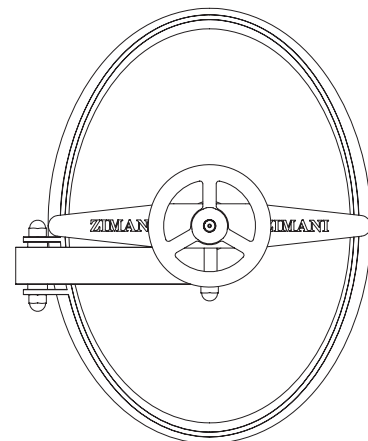
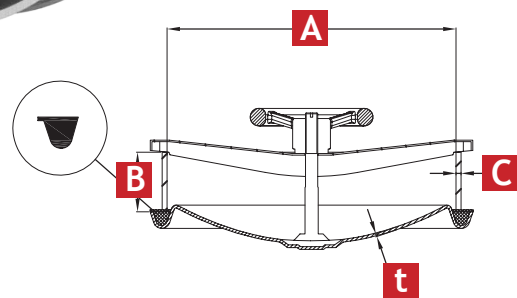


**STANDARD SIZE/\*** At temperature 50°C /122 °F

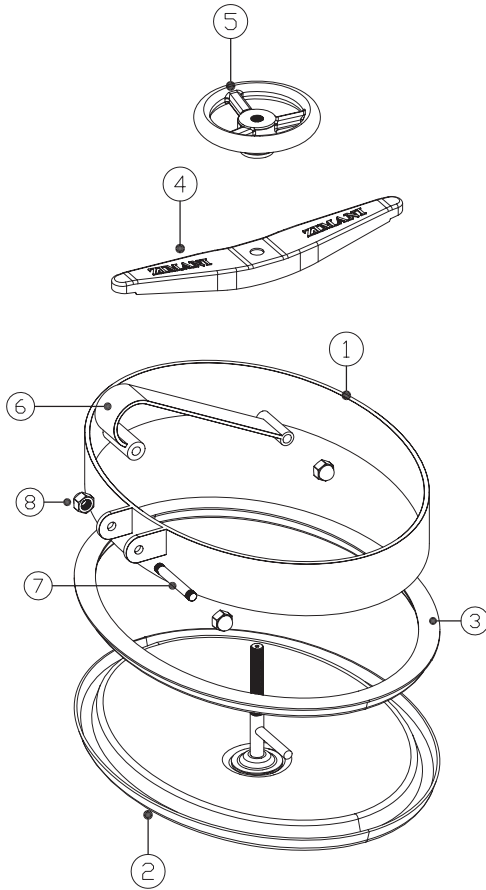
CODE	A	C	B	T	P.MAX
	mm	mm	mm	mm	bar
7031 458	446×311	6	80	3.0	1.5

IF YOU WANT TO CHECK FOR MORE DETAILS  
PLEASE CHECK THE FOLLOWING DRAWING

\*1BAR =14.5PSI=0.1MPA



## ZKG Parts Drawing



GASKET		
Part No.	Material	Color
7010-05 1	Silicon	White
7010-05 2	EPDM	Black
7010-05 3	FPM	Black

Item	Description	Material	Qty
1	Frame	1.4301/1.4404	1
2	Cover	1.4301/1.4404	1
3	Gasket	EPDM	1
4	Bracket	T304	1
5	Hand Wheel	Plastic/T304	1
6	Suspension arm	T304	1
7	Screw	T304	1
8	Nut	T304	3

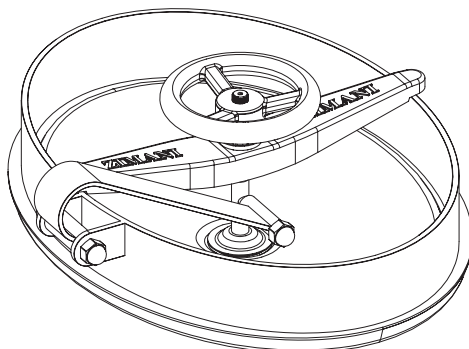
## ZKG Technology

### TECHNICAL DATA

Working pressure: . . . . . Acc. to table standard size.

### Certificates

EN10204. 3.1 certificate



## Options

### Stainless Steel Finishes

POLISHED WITH RA ( $\mu$ )

BEAD BLASTED






PICKLED : ON REQUEST

ELECTRO POLISHED

### Cover & Frame Range

Cover Thickness	Frame/Neck Height
2.5mm	80mm (3.15")
3.0mm	100mm (3.94")
	120mm (4.72")
	150mm (5.91")
	200mm (7.76")

Note: Longer heights are also available.

-  **OVAL Manwaydoor outwards opening**
-  **Porte Ovale avec ouverture à l'extérieur**
-  **Ovale Mannlochtür, schwenkbar nach außen (außenöffnung)**
-  **Puerta Oval de apertura externa**
-  **Portella Ovale apertura esterna**

◆ 7032 420

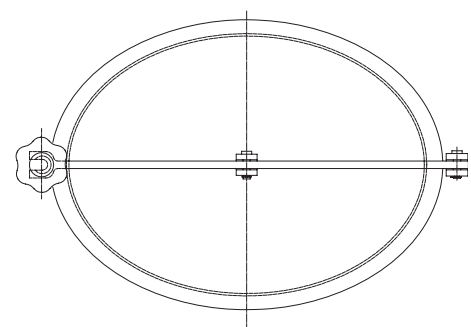
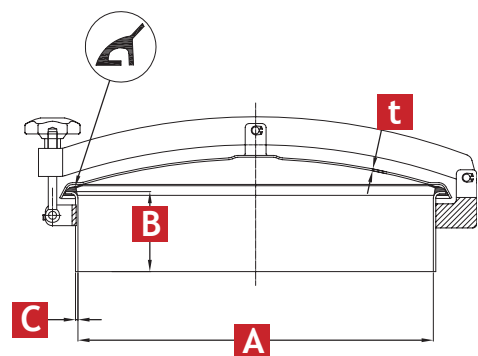


**STANDARD SIZE/\*** At temperature 50°C /122 °F

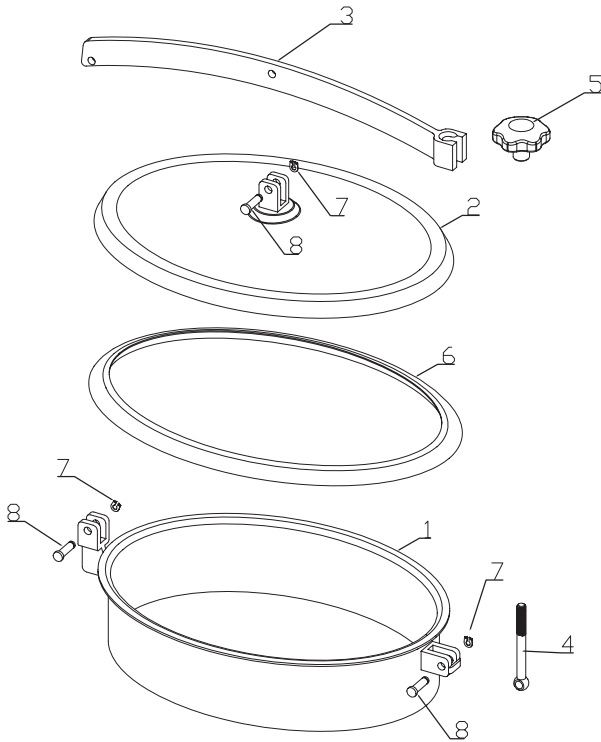
CODE	A	C	B	T	P.MAX
	mm	mm	mm	mm	bar
7032 420	414×294	3	100	2.5	0.1

IF YOU WANT TO CHECK FOR MORE DETAILS  
PLEASE CHECK THE FOLLOWING DRAWING

\*1BAR =14.5PSI=0.1MPA



## ONP Parts Drawing



### GASKET

Part No.	Material	Color
7010-01 1	Silicon	White
7010-01 2	EPDM	Black
7010-01 3	FPM	Black

Item	Description	Material	Qty
1	Frame	1.4301/1.4404	1
2	Cover	1.4301/1.4404	1
3	Bracket	T304	1
4	Swing bolt	T304	1
5	Handle	Plastic/T304	1
6	Gasket	Silicon	1
7	Lock ring	T304	3
8	Pin	T304	3

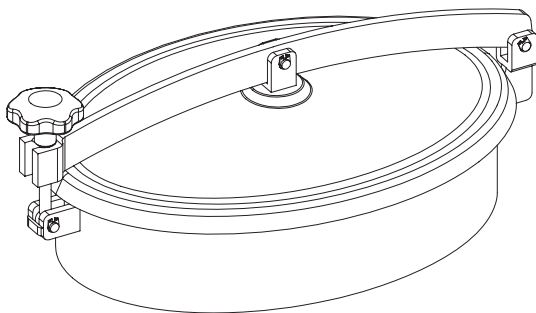
## ONP Technology

### TECHNICAL DATA

Working pressure: . . . . .Acc. to table standard size.

### Certificates

EN10204. 3.1 certificate



## Options

### Stainless Steel Finishes

POLISHED WITH RA ( $\mu$ )

BEAD BLASTED






PICKLED : ON REQUEST

ELECTRO POLISHED

### Cover & Frame Range

Cover Thickness	Frame/Neck Height
2.5mm	80mm (3.15")
3.0mm	100mm (3.94")
	120mm (4.72")
	150mm (5.91")
	200mm (7.76")

Note: Longer heights are also available.

-  **OVAL Manwaydoor outwards opening**
-  **Porte Ovale avec ouverture à l'extérieur**
-  **Ovale Mannlochtür, schwenkbar nach außen (außenöffnung)**
-  **Puerta Oval de apertura externa**
-  **Portella Ovale apertura esterna**

◆ 7033 420

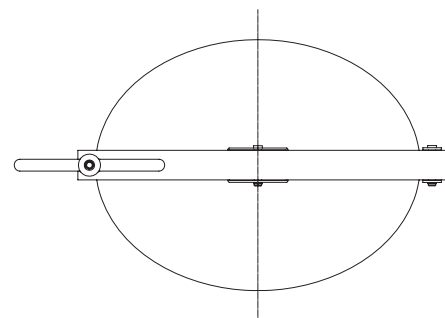
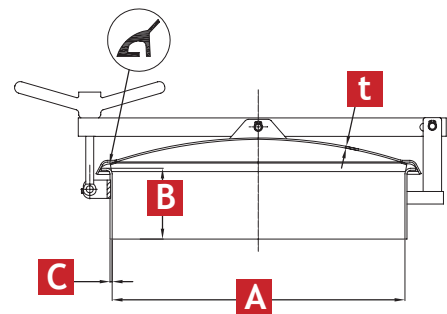


**STANDARD SIZE/\*** At temperature 50°C /122 °F

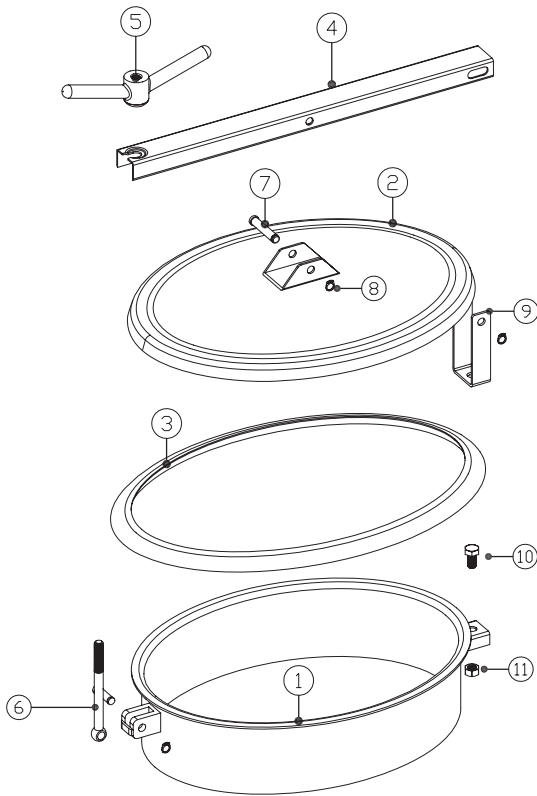
CODE	A	C	B	T	P.MAX
	mm	mm	mm	mm	bar
7033 420	414×294	3	100	3.0	0.1

IF YOU WANT TO CHECK FOR MORE DETAILS  
PLEASE CHECK THE FOLLOWING DRAWING

\*1BAR =14.5PSI=0.1MPA



## ONP-2 Parts Drawing



GASKET		
Part No.	Material	Color
7010-01 1	Silicon	White
7010-01 2	EPDM	Black
7010-01 3	FPM	Black

Item	Description	Material	Qty
1	Frame	1.4301/1.4404	1
2	Cover	1.4301/1.4404	1
3	Gasket	Silicon	1
4	Bracket	T304	1
5	Handle	T304	1
6	Swing bolt	T304	1
7	Pin	T304	2
8	Lock ring	T304	2
9	Back hinge support	T304	1
10	Screw	T304	1
11	Nut	T304	1

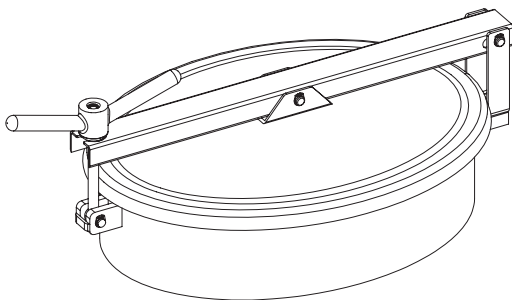
## ONP-2 Technology

### TECHNICAL DATA

Working pressure: . . . . . Acc. to table standard size.

### Certificates

EN10204. 3.1 certificate



## Options

### Stainless Steel Finishes

POLISHED WITH RA (μ)

BEAD BLASTED






PICKLED : ON REQUEST

ELECTRO POLISHED

### Cover & Frame Range

Cover Thickness	Frame/Neck Height
2.5mm	80mm (3.15")
3.0mm	100mm (3.94")
	120mm (4.72")
	150mm (5.91")
	200mm (7.76")

Note: Longer heights are also available.

-  Rectangular manwaydoor, opening outwards
-  Porte rectangulaire avec ouverture à l'extérieur
-  Rechteckige Mannlochtür, schwenkbar nach außen (außenöffnung)
-  Puerta rectangular de apertura externa
-  Portella rettangolare ad apertura esterna

## ◆ 7034 235

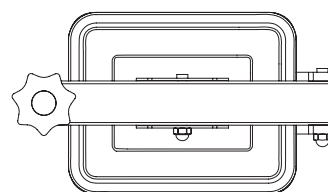
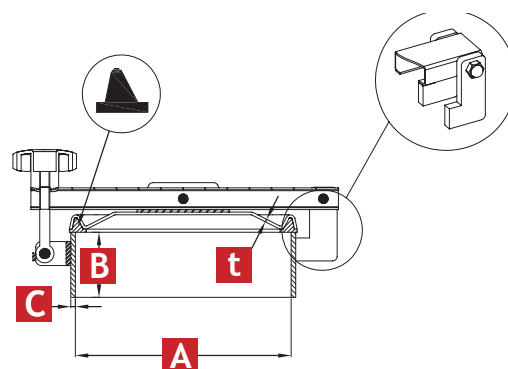


**STANDARD SIZE/\*** At temperature 50°C /122 °F

CODE	A	C	B	T	P.MAX
	mm	mm	mm	mm	bar
7034 235	225×175	5.0	70	3.0	0.7

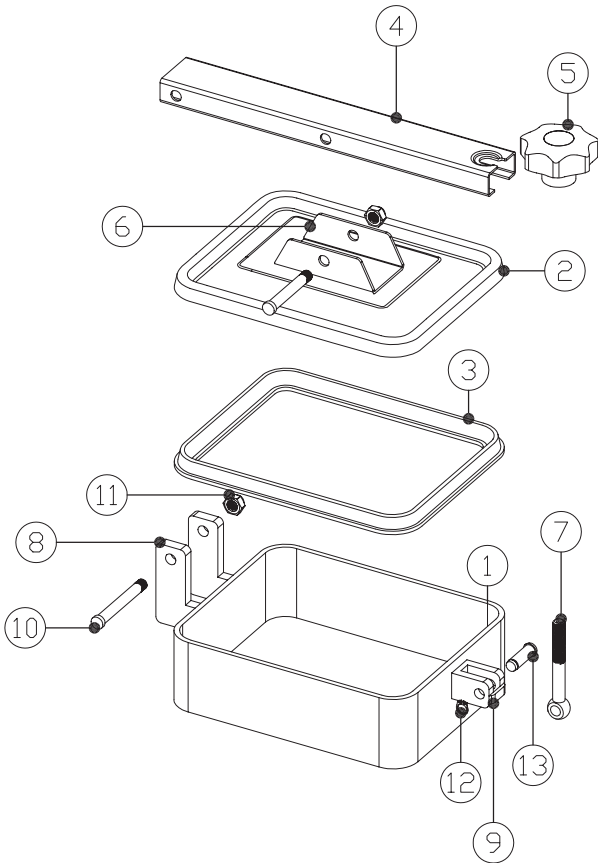
IF YOU WANT TO CHECK FOR MORE DETAILS  
PLEASE CHECK THE FOLLOWING DRAWING

\*1BAR =14.5PSI=0.1MPA





## R Parts Drawing



GASKET		
Part No.	Material	Color
7010-08 1	Silicon	White
7010-08 2	EPDM	Black
7010-08 3	FPM	Black

Item	Description	Material	Qty
1	Frame	1.4301/1.4404	1
2	Cover	1.4301/1.4404	1
3	Gasket	Silicon	1
4	Bracket	T304	1
5	Handle	Plastic/T304	1
6	Up hinge support	T304	1
7	Swing bolt	T304	1
8	Back hinge support	T304	1
9	Front hinge support	T304	1
10	Screw	T304	1
11	Nut	T304	2
12	Lock ring	T304	1
13	Pin	T304	1

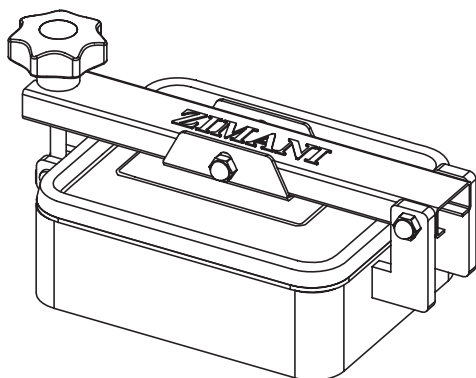
## R Technology

### TECHNICAL DATA

Working pressure: . . . . .Acc. to table standard size.

### Certificates

EN10204. 3.1 certificate



## Options

### Stainless Steel Finishes

POLISHED WITH RA ( $\mu$ )

BEAD BLASTED






PICKLED : ON REQUEST

ELECTRO POLISHED

### Cover & Frame Range

Cover Thickness	Frame/Neck Height
2.0mm	70mm (2.75")
2.5mm	100mm (3.94")
3.0mm	120mm (4.72")

Note: Longer heights are also available.

-  Rectangular manwaydoor, opening outwards
-  Porte rectangulaire avec ouverture à l'extérieur
-  Rechteckige Mannlochtür, schwenkbar nach außen (außenöffnung)
-  Puerta rectangular de apertura externa
-  Portella rettangolare ad apertura esterna

## ◆ 7035 235

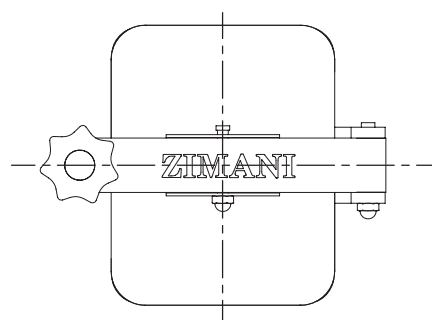
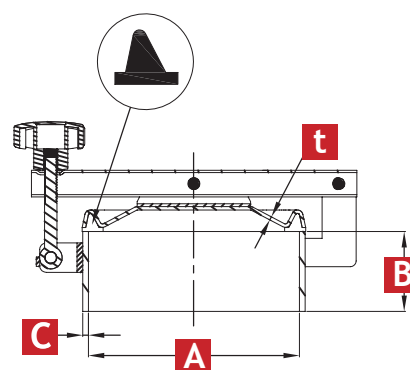


**STANDARD SIZE/\*** At temperature 50°C /122 °F

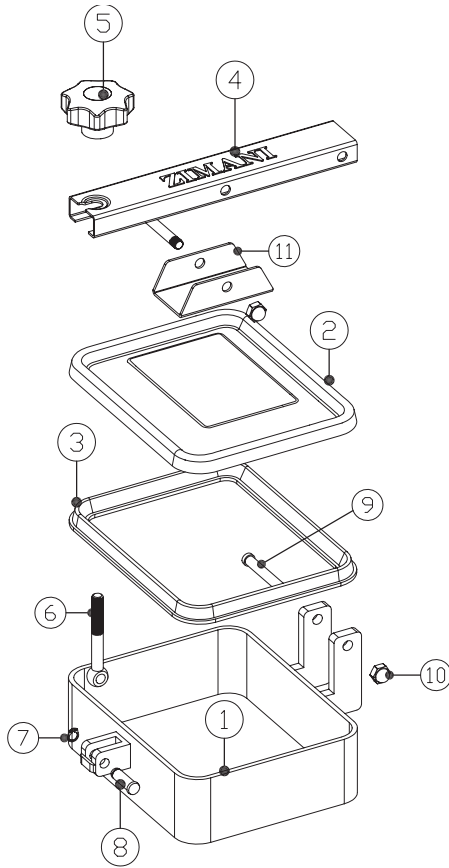
CODE	A	C	B	T	P.MAX
	mm	mm	mm	mm	bar
7035 235	225×175	5.0	70	3.0	0.7

IF YOU WANT TO CHECK FOR MORE DETAILS  
PLEASE CHECK THE FOLLOWING DRAWING

\*1BAR =14.5PSI=0.1MPA



## R-2 Parts Drawing



GASKET		
Part No.	Material	Color
7010-08 1	Silicon	White
7010-08 2	EPDM	Black
7010-08 3	FPM	Black

Item	Description	Material	Qty
1	Frame	1.4301/1.4404	1
2	Cover	1.4301/1.4404	1
3	Gasket	Silicon	1
4	Bracket	T304	1
5	Handle	Plastic/T304	1
6	Swing bolt	T304	1
7	Lock ring	T304	1
8	Pin	T304	1
9	Screw	T304	2
10	Nut	T304	2
11	Up hinge support	T304	1

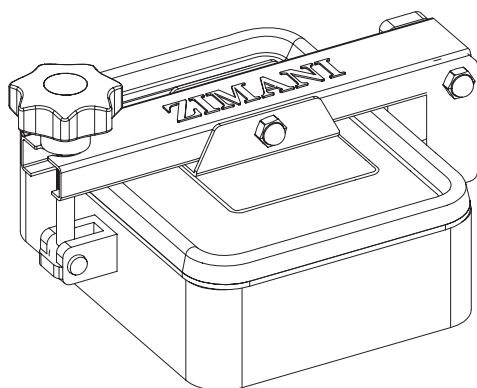
## R-2 Technology

### TECHNICAL DATA

Working pressure: . . . . . Acc. to table standard size.

### Certificates

EN10204. 3.1 certificate



## Options

### Stainless Steel Finishes

POLISHED WITH RA ( $\mu$ )

BEAD BLASTED






PICKLED : ON REQUEST

ELECTRO POLISHED

### Cover & Frame Range

Cover Thickness	Frame/Neck Height
2.0mm	70mm (2.75")
2.5mm	100mm (3.94")
3.0mm	120mm (4.72")

Note: Longer heights are also available.

-  Rectangular manwaydoor, opening outwards
-  Porte rectangulaire avec ouverture à l'extérieur
-  Rechteckige Mannlochtür, schwenkbar nach außen (außenöffnung)
-  Puerta rectangular de apertura externa
-  Portella rettangolare ad apertura esterna

◆ 7036 235

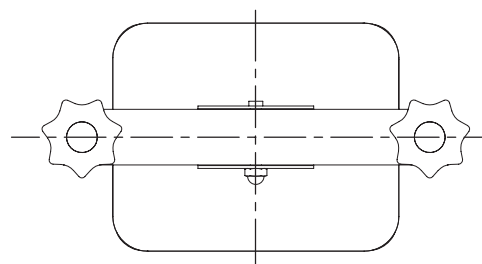
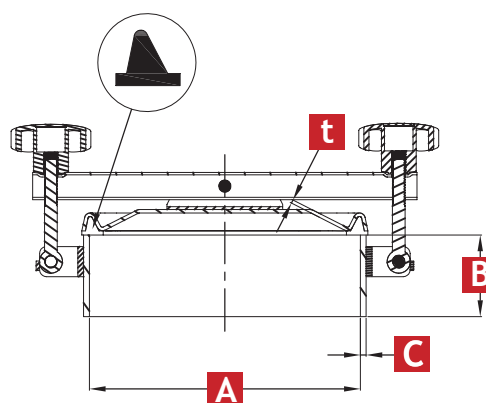


**STANDARD SIZE/\*** At temperature 50°C /122 °F

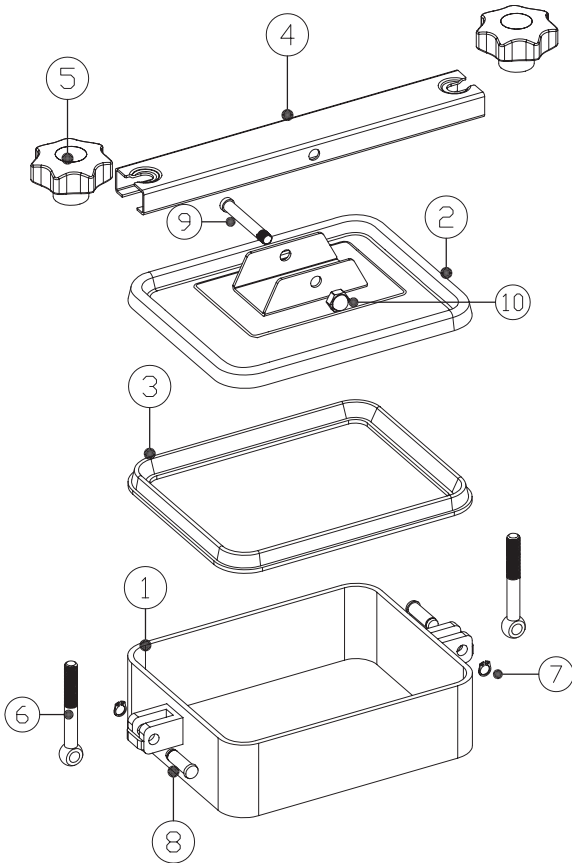
CODE	A	C	B	T	P.MAX
	mm	mm	mm	mm	bar
7036 235	225×175	5.0	70	3.0	0.7

IF YOU WANT TO CHECK FOR MORE DETAILS  
PLEASE CHECK THE FOLLOWING DRAWING

\*1BAR =14.5PSI=0.1MPA



## R-3 Parts Drawing



### GASKET

Part No.	Material	Color
7010-08 1	Silicon	White
7010-08 2	EPDM	Black
7010-08 3	FPM	Black

Item	Description	Material	Qty
1	Frame	1.4301/1.4404	1
2	Cover	1.4301/1.4404	1
3	Gasket	Silicon	1
4	Bracket	T304	1
5	Handle	Plastic/T304	2
6	Swing bolt	T304	2
7	Lock ring	T304	2
8	Pin	T304	2
9	Screw	T304	1
10	Nut	T304	1

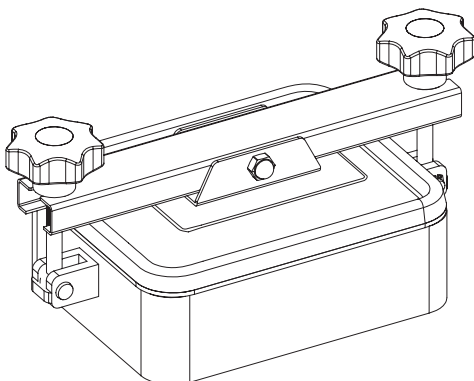
## R-3 Technology

### TECHNICAL DATA

Working pressure: . . . . . Acc. to table standard size.

### Certificates

EN10204. 3.1 certificate



## Options

### Stainless Steel Finishes

POLISHED WITH RA ( $\mu$ )

BEAD BLASTED






PICKLED : ON REQUEST

ELECTRO POLISHED

### Cover & Frame Range

Cover Thickness	Frame/Neck Height
2.0mm	70mm (2.75")
2.5mm	100mm (3.94")
3.0mm	120mm (4.72")

Note: Longer heights are also available.

-  Rectangular manwaydoor, opening outwards
-  Porte rectangulaire avec ouverture à l'extérieur
-  Rechteckige Mannlochtür, schwenkbar nach außen (außenöffnung)
-  Puerta rectangular de apertura externa
-  Portella rettangolare ad apertura esterna

- ◆ 7037 435
- ◆ 7037 535
- ◆ 7037 700

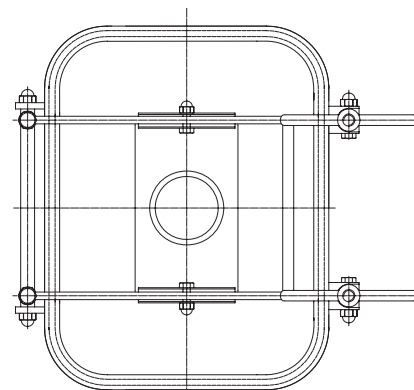
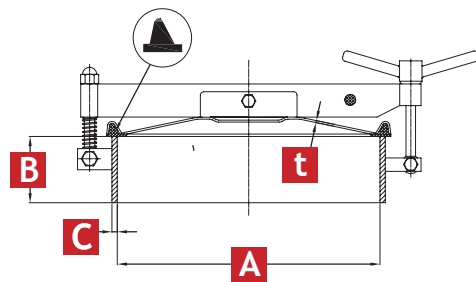


**STANDARD SIZE/\*** At temperature 50°C /122 °F

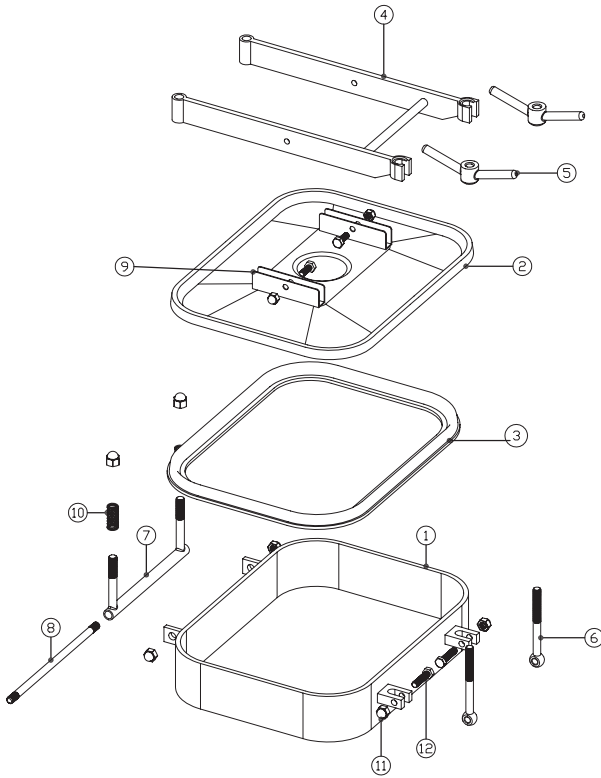
CODE	A	C	B	T	P.MAX
	mm	mm	mm	mm	bar 0.7
7037 435	419×319	8.0	100	3.0	0.3 0.1
7037 535	519×399	8.0	100	3.0	
7037 700	676×476	12.0	100	4.0	

IF YOU WANT TO CHECK FOR MORE DETAILS  
PLEASE CHECK THE FOLLOWING DRAWING

\*1BAR ≈14.5PSI=0.1MPA



## RE Parts Drawing



### GASKET

Part No.	Material	Color
7010-08 1	Silicon	White
7010-08 2	EPDM	Black
7010-08 3	FPM	Black

Item	Description	Material	Qty
1	Frame	1.4301/1.4404	1
2	Cover	1.4301/1.4404	1
3	Gasket	Silicon	1
4	Bracket	T304	1
5	Top Nut	T304	2
6	Swing bolt	T304	2
7	Screw	T304	1
8	Screw	T304	1
9	Up hinge support	T304	2
10	Spring	T304	2
11	Nut	T304	8
12	Screw	T304	4

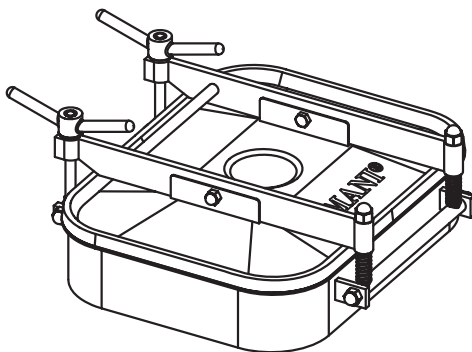
## RE Technology

### TECHNICAL DATA

Working pressure: . . . . .Acc. to table standard size.

### Certificates

EN10204. 3.1 certificate



## Options

### Stainless Steel Finishes

POLISHED WITH RA ( $\mu$ )

BEAD BLASTED

PICKLED : ON REQUEST






ELECTRO POLISHED

### Cover & Frame Range

Cover Thickness	Frame/Neck Height
2.0mm	70mm (2.75")
2.5mm	100mm (3.94")
3.0mm	120mm (4.72")

Note: Longer heights are also available.



-  Rectangular manwaydoor, opening outwards
-  Porte rectangulaire avec ouverture à l'extérieur
-  Rechteckige Mannlochtür, schwenkbar nach außen (außenöffnung)
-  Puerta rectangular de apertura externa
-  Portella rettangolare ad apertura esterna

◆ 7038 435

◆ 7038 535

◆ 7038 700

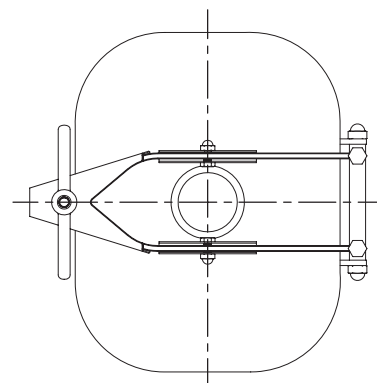
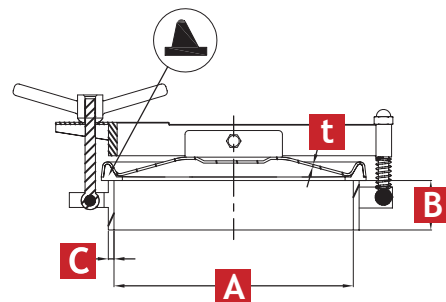


STANDARD SIZE/\* At temperature 50°C /122 °F

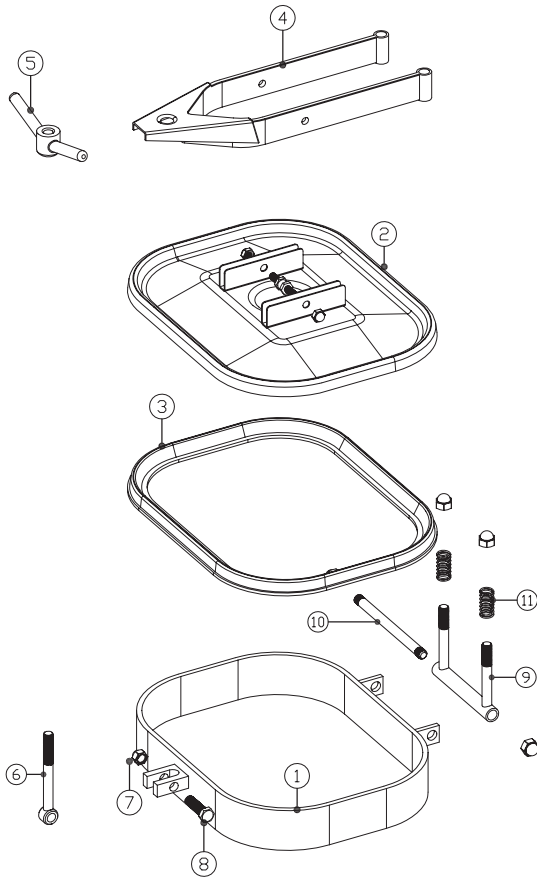
CODE	A	C	B	T	P.MAX
	mm	mm	mm	mm	bar
7038 435	419×319	8.0	70	3.0	0.6
7038 535	519×399	8.0	100	3.0	0.25
7038 700	676×476	12.0	100	4.0	0.1

IF YOU WANT TO CHECK FOR MORE DETAILS  
PLEASE CHECK THE FOLLOWING DRAWING

\*1BAR ≈14.5PSI=0.1MPA



## RE-2 Parts Drawing



GASKET		
Part No.	Material	Color
7010-08 1	Silicon	White
7010-08 2	EPDM	Black
7010-08 3	FPM	Black

Item	Description	Material	Qty
1	Frame	1.4301/1.4404	1
2	Cover	1.4301/1.4404	1
3	Gasket	Silicon	1
4	Arm	T304	1
5	Top Nut	T304	1
6	Swing bolt	T304	2
7	Nut	T304	7
8	Screw	T304	3
9	Back hinge support	T304	1
10	Screw	T304	1
11	Spring	T304	2

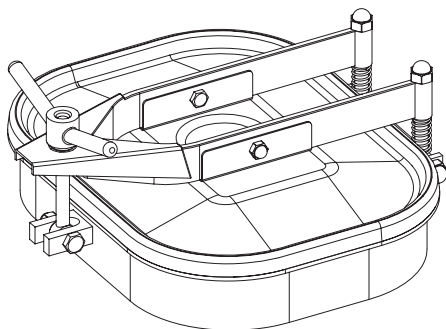
## RE-2 Technology

### TECHNICAL DATA

Working pressure: . . . . . Acc. to table standard size.

### Certificates

EN10204. 3.1 certificate



## Options

### Stainless Steel Finishes

POLISHED WITH RA ( $\mu$ )

BEAD BLASTED






PICKLED : ON REQUEST

ELECTRO POLISHED

### Cover & Frame Range

Cover Thickness	Frame/Neck Height
2.0mm	70mm (2.75")
2.5mm	100mm (3.94")
3.0mm	120mm (4.72")

Note: Longer heights are also available.

-  Rectangular manwaydoor, opening outwards
-  Porte rectangulaire avec ouverture à l'extérieur
-  Rechteckige Mannlochtür, schwenkbar nach außen (außenöffnung)
-  Puerta rectangular de apertura externa
-  Portella rettangolare ad apertura esterna

◆ 7039 435

◆ 7039 535

◆ 7039 700



\*7039 535  
7039 700

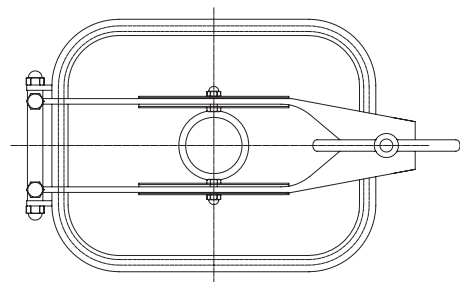
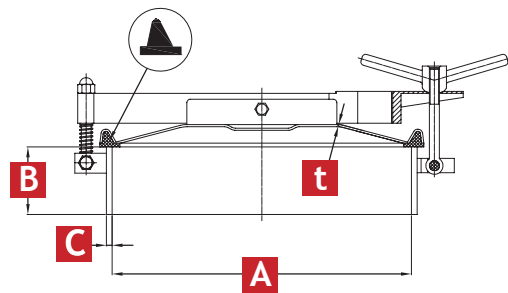


STANDARD SIZE/\* At temperature 50°C /122 °F

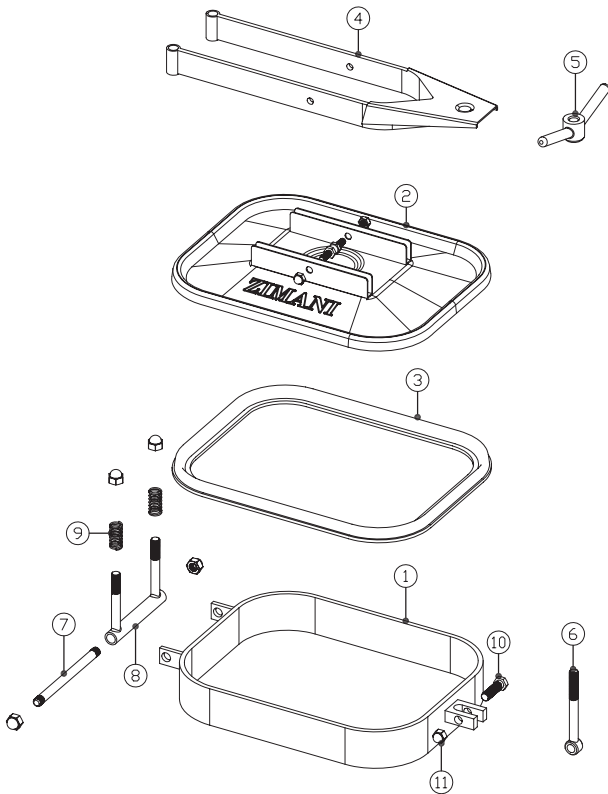
CODE	A	C	B	T	P.MAX
	mm	mm	mm	mm	bar
7039 435	419×319	8.0	70	3.0	0.6
7039 535	519×399	8.0	100	3.0	0.25
7039 700	676×476	12.0	100	4.0	0.1

IF YOU WANT TO CHECK FOR MORE DETAILS  
PLEASE CHECK THE FOLLOWING DRAWING

\*1BAR ≈14.5PSI=0.1MPA



## RE-3 Parts Drawing



### GASKET

Part No.	Material	Color
7010-08 1	Silicon	White
7010-08 2	EPDM	Black
7010-08 3	FPM	Black

Item	Description	Material	Qty
1	Frame	1.4301/1.4404	1
2	Cover	1.4301/1.4404	1
3	Gasket	Silicon	1
4	Arm	T304	1
5	Top Nut	T304	1
6	Swing bolt	T304	1
7	Screw	T304	1
8	Back hinge support	T304	1
9	Spring	T304	2
10	Screw	T304	3
11	Nut	T304	7

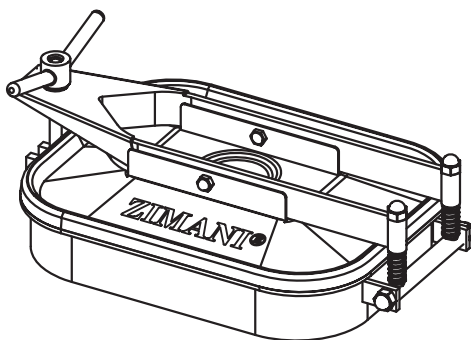
## RE-3 Technology

### TECHNICAL DATA

Working pressure: . . . . .Acc. to table standard size.

### Certificates

EN10204. 3.1 certificate



## Options

### Stainless Steel Finishes

POLISHED WITH RA ( $\mu$ )

BEAD BLASTED






PICKLED : ON REQUEST

ELECTRO POLISHED

### Cover & Frame Range

Cover Thickness	Frame/Neck Height
2.0mm	70mm (2.75")
2.5mm	100mm (3.94")
3.0mm	120mm (4.72")

Note: Longer heights are also available.

-  Rectangular manwaydoor, opening outwards
-  Porte rectangulaire avec ouverture à l'extérieur
-  Rechteckige Mannlochtür, schwenkbar nach außen (außenöffnung)
-  Puerta rectangular de apertura externa
-  Portella rettangolare ad apertura esterna

- ◆ 7040 435
- ◆ 7040 535
- ◆ 7040 700

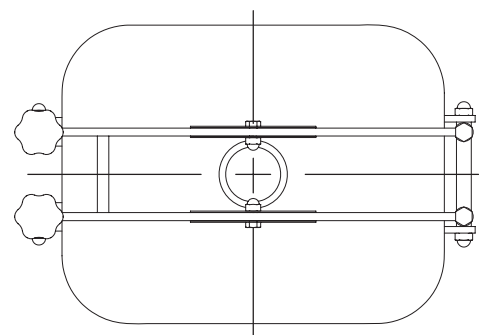
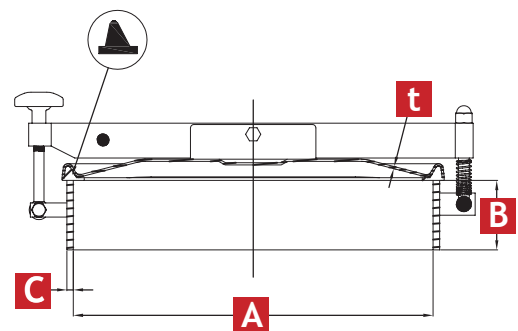


**STANDARD SIZE/\*** At temperature 50°C /122 °F

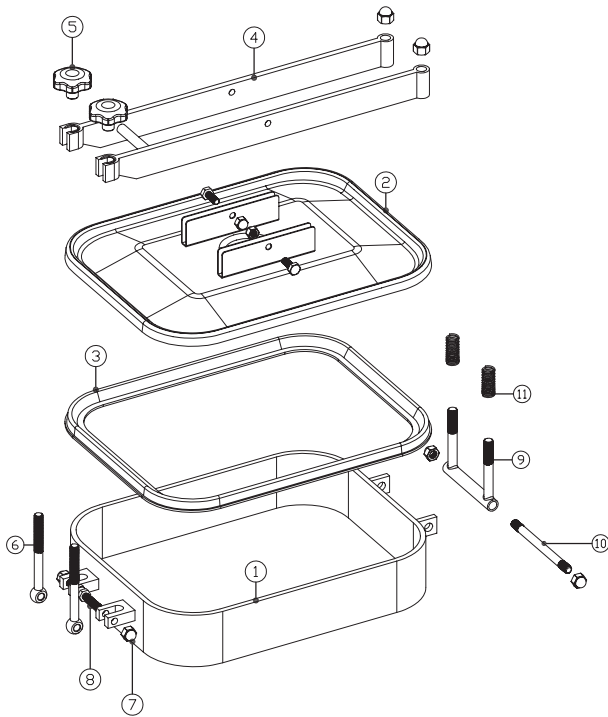
CODE	A	C	B	T	P.MAX
	mm	mm	mm	mm	bar
7040 435	419×319	8.0	70	3.0	0.6
7040 535	519×399	8.0	100	3.0	0.25
7040 700	676×476	12.0	100	4.0	0.1

IF YOU WANT TO CHECK FOR MORE DETAILS  
PLEASE CHECK THE FOLLOWING DRAWING

\*1BAR ≈14.5PSI=0.1MPA



## R2D Parts Drawing



GASKET		
Part No.	Material	Color
7010-08 1	Silicon	White
7010-08 2	EPDM	Black
7010-08 3	FPM	Black

Item	Description	Material	Qty
1	Frame	1.4301/1.4404	1
2	Cover	1.4301/1.4404	1
3	Gasket	Silicon	1
4	Arm	T304	1
5	Handle	T304	2
6	Swing bolt	T304	2
7	Nut	T304	8
8	Screw	T304	4
9	Back hinge support	T304	2
10	Screw	T304	1
11	Spring	T304	2

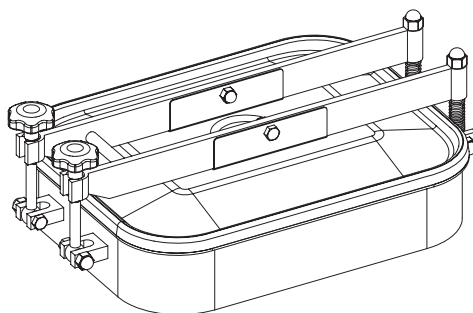
## R2D Technology

### TECHNICAL DATA

Working pressure: . . . . .Acc. to table standard size.

### Certificates

EN10204. 3.1 certificate



## Options

### Stainless Steel Finishes

POLISHED WITH RA (μ)

BEAD BLASTED

PICKLED : ON REQUEST

ELECTRO POLISHED

### Cover & Frame Range






Cover Thickness	Frame/Neck Height
-----------------	-------------------

2.0mm	70mm (2.75")
-------	--------------

2.5mm	100mm (3.94")
-------	---------------

3.0mm	120mm (4.72")
-------	---------------

Note: Longer heights are also available.

-  Rectangular manwaydoor, opening outwards
-  Porte rectangulaire avec ouverture à l'extérieur
-  Rechteckige Mannlochtür, schwenkbar nach außen (außenöffnung)
-  Puerta rectangular de apertura externa
-  Portella rettangolare ad apertura esterna

◆ 7041 435

◆ 7041 535

◆ 7041 700

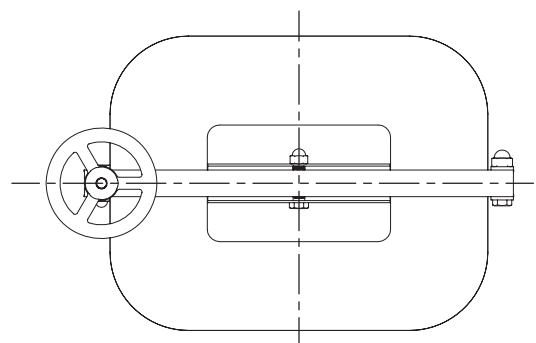
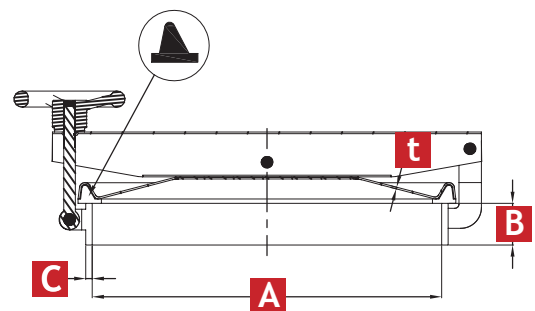


**STANDARD SIZE/\*** At temperature 50°C /122 °F

CODE	A	C	B	T	P.MAX
	mm	mm	mm	mm	bar
7041 435	419×319	8.0	70	3.0	0.4
7041 535	519×399	8.0	100	3.0	0.2
7041 700	676×476	12.0	100	4.0	0.1

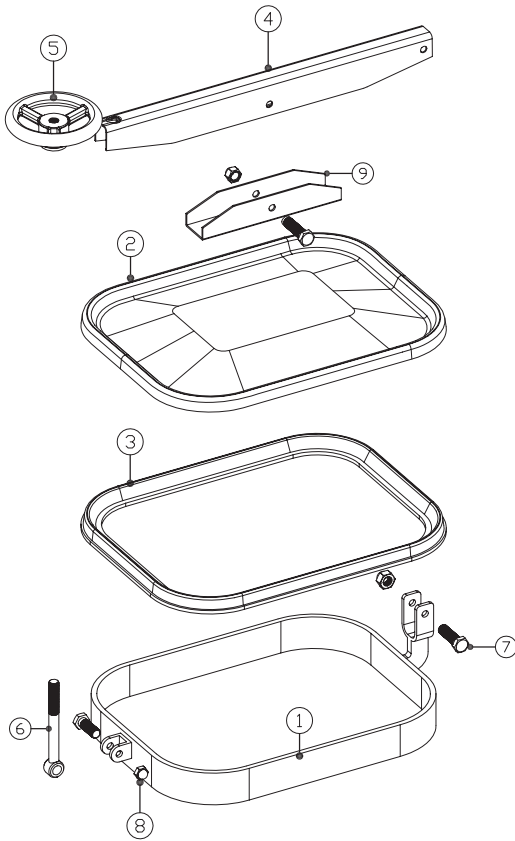
IF YOU WANT TO CHECK FOR MORE DETAILS  
PLEASE CHECK THE FOLLOWING DRAWING

\*1BAR =14.5PSI=0.1MPA





## R2D-2 Parts Drawing



### GASKET

Part No.	Material	Color
7010-08 1	Silicon	White
7010-08 2	EPDM	Black
7010-08 3	FPM	Black

Item	Description	Material	Qty
1	Frame	1.4301/1.4404	1
2	Cover	1.4301/1.4404	1
3	Gasket	Silicon	1
4	Arm	T304	1
5	Hand wheel	T304	1
6	Swing bolt	T304	1
7	Screw	T304	3
8	Nut	T304	3
9	Up hinge support	T304	1

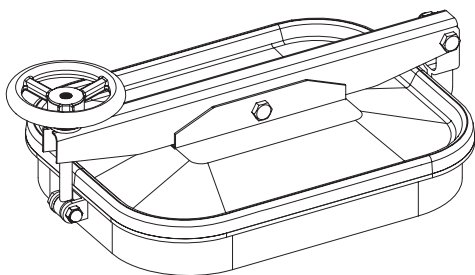
## R2D-2 Technology

### TECHNICAL DATA

Working pressure: . . . . .Acc. to table standard size.

### Certificates

EN10204. 3.1 certificate



## Options

### Stainless Steel Finishes

POLISHED WITH RA ( $\mu$ )

BEAD BLASTED






PICKLED : ON REQUEST

ELECTRO POLISHED

### Cover & Frame Range

Cover Thickness	Frame/Neck Height
2.0mm	70mm (2.75")
2.5mm	100mm (3.94")
3.0mm	120mm (4.72")

Note: Longer heights are also available.

-  Rectangular manwaydoor inwards opening
-  Porte rectangulaire avec ouverture à l'intérieur
-  Rechteckige Mannlochtür, schwenkbar nach innen (Innenöffnung)
-  Puerta rectangular de apertura interna
-  Portella rettangolare apertura interna

◆ 7042 435

◆ 7042 535



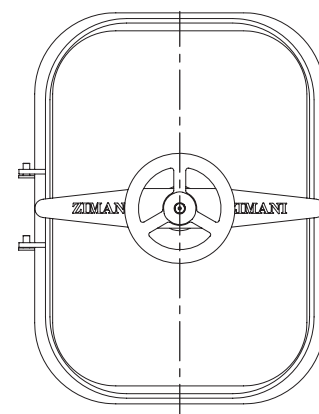
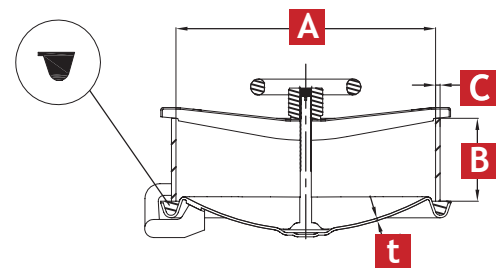
**STANDARD SIZE/\*** At temperature 50°C /122 °F

CODE	A	C	B	T	P.MAX
	mm	mm	mm	mm	bar
7042 435	419×319	8.0	70	3.0	1.0
7042 535	519×399	8.0	70	3.0	0.7

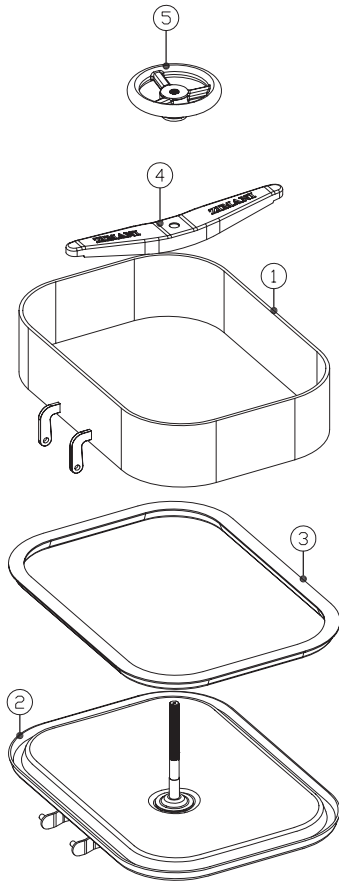
IF YOU WANT TO CHECK FOR MORE DETAILS

PLEASE CHECK THE FOLLOWING DRAWING

\*1BAR =14.5PSI=0.1MPA



## RIW Parts Drawing



GASKET		
Part No.	Material	Color
7010-05 1	Silicon	White
7010-05 2	EPDM	Black
7010-05 3	FPM	Black

Item	Description	Material	Qty
1	Frame	1.4301/1.4404	1
2	Cover	1.4301/1.4404	1
3	Gasket	Silicon	1
4	Toggle	T304	1
5	Hand wheel	Plastic/T304	1

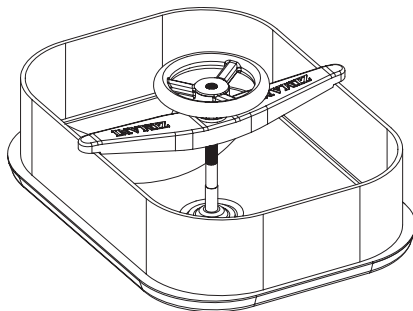
## RIW Technology

### TECHNICAL DATA

Working pressure: . . . . . Acc. to table standard size.

### Certificates

EN10204. 3.1 certificate



## Options

### Stainless Steel Finishes

POLISHED WITH RA ( $\mu$ )

BEAD BLASTED






PICKLED : ON REQUEST

ELECTRO POLISHED

### Cover & Frame Range

Cover Thickness	Frame/Neck Height
2.0mm	60mm (2.36")
2.5mm	100mm (3.94")
3.0mm	120mm (4.72")

Note: Longer heights are also available.

-  Round manhole cover with back-side opening
-  Trappe Ronde avec ouverture par renversement
-  Runder Domdeckel, nach außen öffnend
-  Tapa circular con apertura vertical
-  Chiusino Circolare apertura a ribaltamento

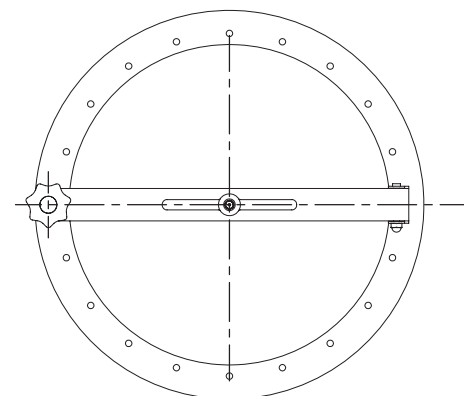
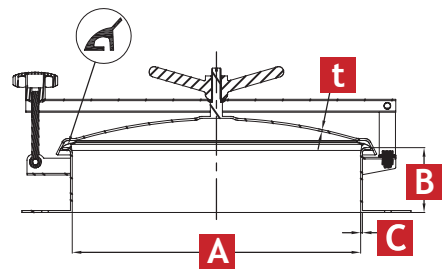
- ◆ 7043 219
- ◆ 7043 300
- ◆ 7043 350
- ◆ 7043 400
- ◆ 7043 430
- ◆ 7043 450
- ◆ 7043 500
- ◆ 7043 600








STANDARD SIZE/\* At temperature 50°C /122 °F

CODE	A	OD×C	B	T	P.MAX
	mm	mm	mm	mm	bar
7043 219	214	219×3.0	100	2.0	0.2
7043 300	294	300×3.0	100	2.5	0.18
7043 350	344	350×3.0	100	2.5	0.15
7043 400	394	400×3.0	100	2.5	0.12
7043 430	424	430×3.0	100	2.5	0.1
7043 450	444	450×3.0	100	2.5	0.1
7043 500	494	500×3.0	100	2.5	0
7043 600	594	600×3.0	100	2.5	0

\*1BAR =14.5PSI=0.1MPA



-  Round manhole cover with back-side opening
-  Trappe Ronde avec ouverture par renversement
-  Runder Domdeckel, nach außen öffnend
-  Tapa circular con apertura vertical
-  Chiusino Circolare apertura a ribaltamento

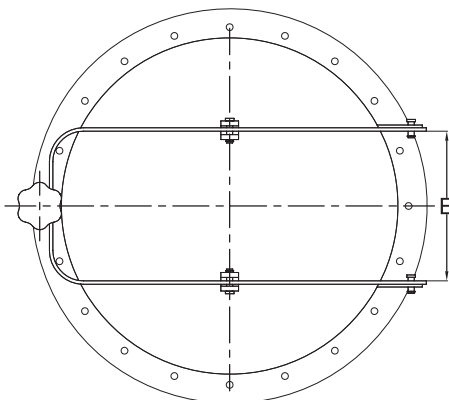
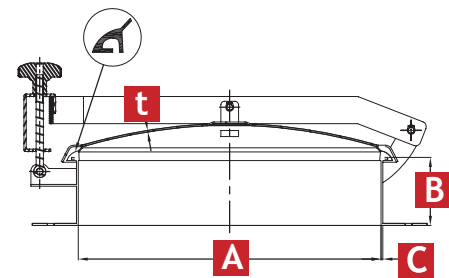
- ◆ 7044 219
- ◆ 7044 300
- ◆ 7044 350
- ◆ 7044 400
- ◆ 7044 430
- ◆ 7044 450
- ◆ 7044 500
- ◆ 7044 600








STANDARD SIZE/\* At temperature 50°C /122 °F

CODE	A	OD×C	B	T	P.MAX
	mm	mm	mm	mm	bar
7044 219	214	219×3.0	100	2.0	0.3
7044 300	294	300×3.0	100	2.5	0.22
7044 350	344	350×3.0	100	2.5	0.18
7044 400	394	400×3.0	100	2.5	0.16
7044 430	424	430×3.0	100	2.5	0.15
7044 450	444	450×3.0	100	2.5	0.12
7044 500	494	500×3.0	100	2.5	0.1
7044 600	594	600×3.0	100	2.5	0

\*1BAR ≈14.5PSI=0.1MPA



-  Round manhole cover with back-side opening
-  Trappe Ronde avec ouverture par renversement
-  Runder Domdeckel, nach außen öffnend
-  Tapa circular con apertura vertical
-  Chiusino Circolare apertura a ribaltamento

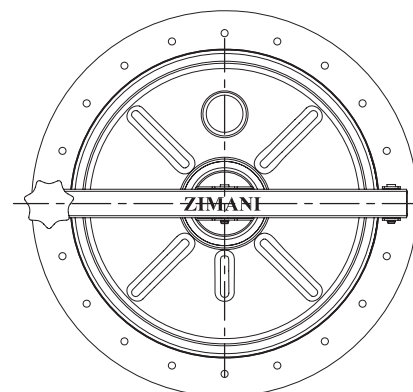
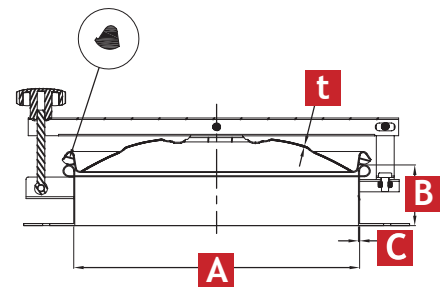
- ◆ 7045 350
- ◆ 7045 400
- ◆ 7045 430
- ◆ 7045 450
- ◆ 7045 500
- ◆ 7045 600








STANDARD SIZE/\* At temperature 50°C /122 °F

CODE	A	OD×C	B	T	P.MAX
	mm	mm	mm	mm	bar
7045 350	346	350×2.0	85	2.0	0.3
7045 400	396	400×2.0	85	2.0	0.2
7045 430	426	430×2.0	85	2.0	0.15
7045 450	446	450×2.0	85	2.0	0.12
7045 500	496	500×2.0	85	2.0	0.07
7045 600	596	600×2.0	85	2.0	0

\*1BAR =14.5PSI=0.1MPA



-  Rectangular manwaydoor, opening outwards
-  Porte rectangulaire avec ouverture à l'extérieur
-  Rechteckige Mannlochtür, schwenkbar nach außen (außenöffnung)
-  Puerta rectangular de apertura externa
-  Portella rettangolare ad apertura esterna

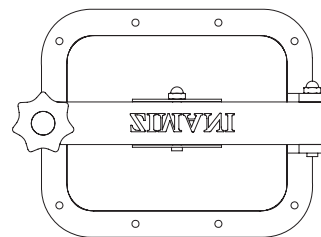
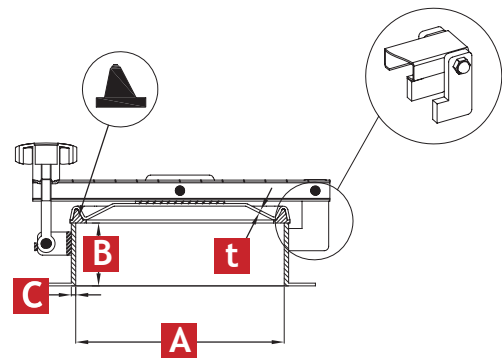
## ◆ 7046 235








STANDARD SIZE/\* At temperature 50°C /122 °F

CODE	A	C	B	T	P.MAX
	mm	mm	mm	mm	bar
7046 235	225×175	5.0	70	3.0	0.7

\*1BAR ≈14.5PSI=0.1MPA





-  Rectangular manwaydoor, opening outwards
-  Porte rectangulaire avec ouverture à l'extérieur
-  Rechteckige Mannlochtür, schwenkbar nach außen (außenöffnung)
-  Puerta rectangular de apertura externa
-  Portella rettangolare ad apertura esterna

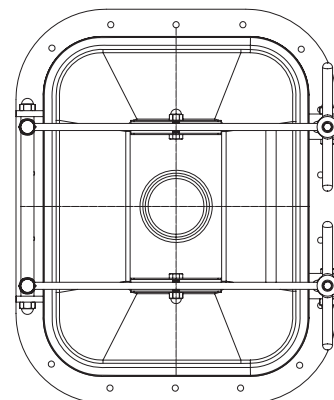
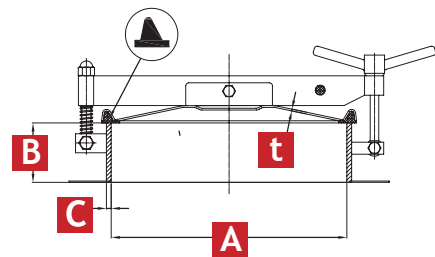
- ◆ 7047 435
- ◆ 7047 535
- ◆ 7047 700








STANDARD SIZE/\* At temperature 50°C /122 °F

CODE	A	C	B	T	P.MAX
	mm	mm	mm	mm	bar
7047 435	419×319	8.0	100	3.0	0.7
7047 535	519×399	8.0	100	3.0	0.3
7047 700	676×476	12.0	100	4.0	0.1

\*1BAR ≈14.5PSI=0.1MPA





-  Rectangular manwaydoor, opening outwards
-  Porte rectangulaire avec ouverture à l'extérieur
-  Rechteckige Mannlochtür, schwenkbar nach außen (außenöffnung)
-  Puerta rectangular de apertura externa
-  Portella rettangolare ad apertura esterna

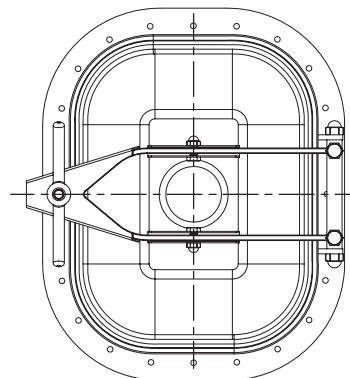
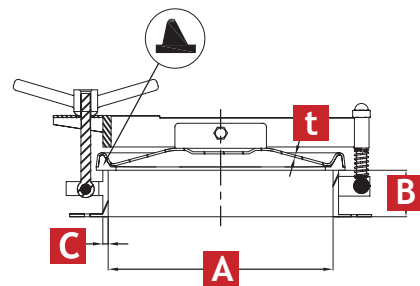
- ◆ 7048 435
- ◆ 7048 535
- ◆ 7048 700








STANDARD SIZE/\* At temperature 50°C /122 °F

CODE	A	C	B	T	P.MAX
	mm	mm	mm	mm	bar
7048 435	419×319	8.0	70	3.0	0.6
7048 535	519×399	8.0	100	3.0	0.25
7048 700	676×476	12.0	100	4.0	0.1

\*1BAR ≈14.5PSI=0.1MPA



-  OVAL Manwaydoor outwards opening
-  Porte Ovale avec ouverture à l'extérieur
-  Ovale Mannlochtür, schwenkbar nach außen (außenöffnung)
-  Puerta Oval de apertura externa
-  Portella Ovale apertura esterna

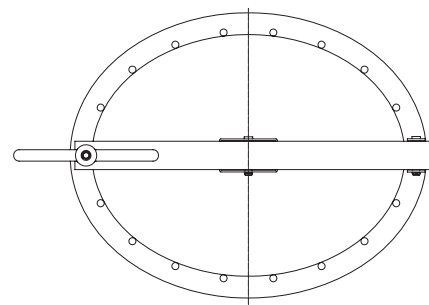
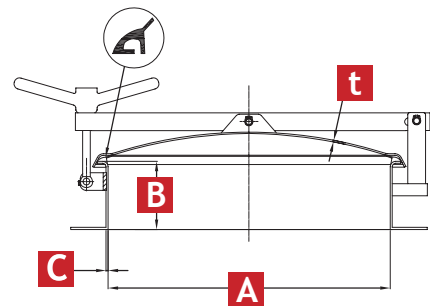
◆ 7049 420








STANDARD SIZE/\* At temperature 50°C /122 °F

CODE	A	C	B	T	P.MAX
	mm	mm	mm	mm	bar
7049 420	414×294	3	100	3.0	0.1

\*1BAR ≈14.5PSI=0.1MPA



-  OVAL Manwaydoor inwards opening
-  Porte Ovale avec ouverture à l'intérieur
-  Ovale Mannlochtür, schwenkbar nach innen (Innenöffnung)
-  Puerta Oval de apertura interna
-  Portella Ovale apertura interna

## ◆ 7050 458

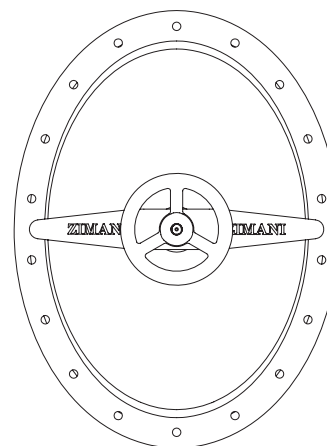
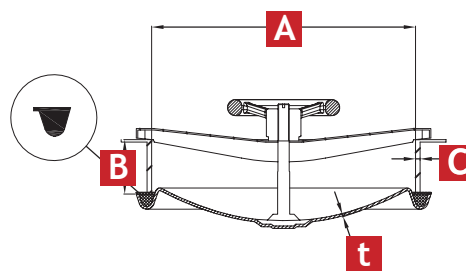







STANDARD SIZE/\* At temperature 50°C /122 °F

CODE	A	C	B	T	P.MAX
	mm	mm	mm	mm	bar
7050 458	446×311	6	80	3.0	1.5

IF YOU WANT TO CHECK THE MORE DETAILS  
PLEASE CHECK THE FOLLOWING DRAWING

\*1BAR ≈14.5PSI=0.1MPA



-  Pressure round external manlids
-  Portes extérieures rondes à pression
-  Runde Außentüren mit Druck
-  Puertas exteriores redondas con presión
-  Chiusino superiore con graffe di chiusura

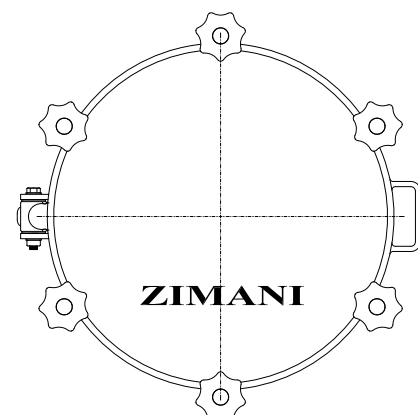
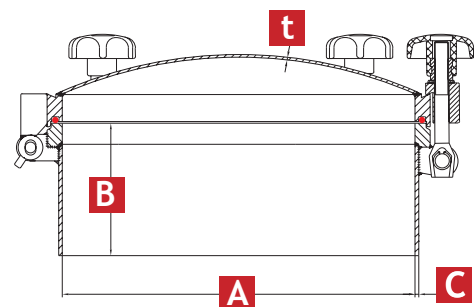


- ◆ 7051 450
- ◆ 7051 500



STANDARD SIZE/\* At temperature 50°C / 122 °F

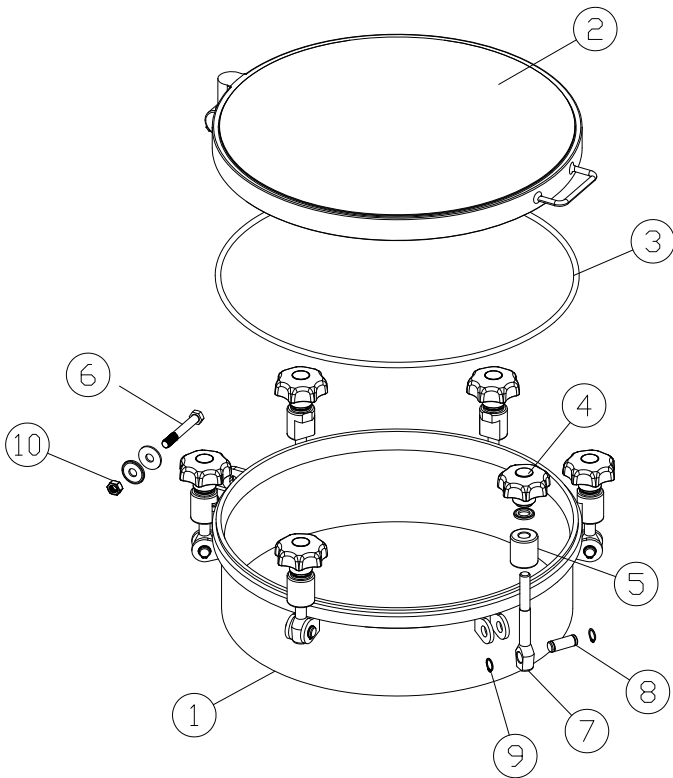
CODE	A	OD×C	BOLTS	B	t	P.MAX
	mm	mm	No. of	mm	mm	bar
7051	450	458×4.0	6/8/10	100	4.0	5.0
7051 500	500	508×4.0	6/8/10	100	4.0	4.0



IF YOU WANT TO CHECK FOR MORE DETAILS  
PLEASE CHECK THE FOLLOWING DRAWING

\*1BAR ≈ 14.5PSI=0.1MPA

## ZISD Parts Drawing



GASKET		
Part No.	Material	Color
7010-04 1	Silicon	White
7010-04 2	EPDM	Black
7010-04 3	FPM	Black

Item	Description	Material	Qty
1	Frame	1.4301/1.4404	1
2	Cover	1.4301/1.4404	1
3	Gasket	Silicon	1
4	Handle	Plastic/1.4301	6
5	Hub	T304	6
6	Screw	T304	1
7	Swing Bolt	T304	6
8	Pin	T304	6
9	Lock Ring	T304	12
10	Nut	T304	1

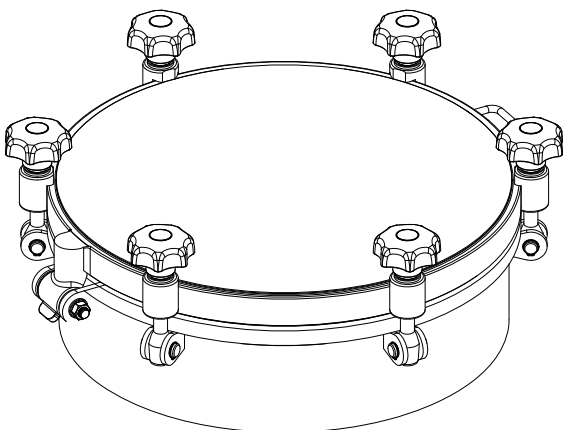
## ZISD Technology

### TECHNICAL DATA

Working pressure: . . . . . Acc. to table standard size.

### Certificates

EN10204. 3.1 certificate



## Options

### Stainless Steel Finishes

POLISHED WITH RA ( $\mu$ )

BEAD BLASTED

PICKLED : ON REQUEST

ELECTRO POLISHED

### Cover & Frame Range

Cover Thickness	Frame/Neck Height
3.0 mm	85mm (3.35")
3.5 mm	100mm (3.94")
4.0 mm	120mm (4.72")
	150mm (5.91")
	200mm (7.76")
	250mm (9.85")

Note: Longer heights are also available.

-  Gasket
-  Joints
-  Dichtungen
-  Juntas
-  Guarnizioni

## Storage Conditions For Gaskets

Optimal use in service and the lifetime of a gasket depend essentially on the storage conditions prior to use.

The ageing resistance of gasket at rest differs considerably according to the elastomers.

Nevertheless, all our gasket benefit from a 1-year storage lifetime guarantee provided

that you comply with the following storage conditions :

- ◆ gasket laid flat and tension-free
- ◆ at ambient temperature
- ◆ away from direct light, heat and bad weather
- ◆ away from all sources of ozone (anti-static bars, etc.)

These conditions are valid for all types of elastomers.

The above information is based on reliable data sent by our suppliers and cannot in any circumstances involve our liability.

## Ordering Information:

When you need to replace the seal, Please carefully check your current lids type and code to download the appropriate documentation to see the number of seals, selected according to the characteristics of the product you need, please order as follows: 1. Code No.

2. Material
3. Quantity

### Gasket profile

Lip-seated gasket



O-ring gasket



O-ring gasket



Half-round gasket



Rectangular gasket



7P gasket



Type of gasket	Alakline	Acid	Maximum temperature*
Food quality gasket			
EPDM	Excellent	Good	-40°C /+ 130°C
SILICON	Good	Ok	-50°C /+250°C
F.P.M.(VITON®)	Excellent	Excellent	-10°C /+200°C
NITRILE(NRB)	Good	Good	-10°C /+110°C
PTFE	PTFE	Excellent	-200°C /+260°C

Note: Either the temperature of the liquid in contact, or by the duration of the contact can highly influence the chemical resistance of rubbers, or in the case of chemical solutions, by the concentration of the active product. The resistance values are given as a guide only and may be modified by the following determinant factors: constitution of the rubber mix, variable temperatures, variable loads or stretching, atmospheric agents, exposure time, etc...

Manways come with seals of special codes that correspond to particular shapes, materials and sizes. Orders can be made according to the code numbers of these seals.

Code	7010 01	7010 02	7010 03	7010 04	7010 05	7010 06	7010 07	7010 08	7010 09
Shape									

Below ZIMANI manholes correspond to manhole sealing ring shape, Refer to LIST OF THE TYPE

Code	Shape	Code	Shape	Code	Shape	Code	Shape
7011		7021		7031		7041	
7012		7022		7032		7042	
7013		7023		7033		7043	
7014		7024		7034		7044	
7015		7025		7035		7045	
7016		7026		7036		7046	
7017		7027		7037		7047	
7018		7028		7038		7048	
7019		7029		7039		7049	
7020		7030		7040		7050	






When ordering seals, you can refer to the manhole coding, as well as models of seals, material, manhole specifications, to purchase the products you need. Unless otherwise stated by a company's conventional installation, most manhole use more than several seal types

For example:

If you want to buy NPDC TYPE ,7011 400 manhole Silicon seals,you can choose from the following selection methods to order you seals.

Code Number		Material			Size
Code	Shape/Style	Silicon	EPDM	FPM	Manhole specification
7010	01	1	2	3	400



-  Sight glasses DIN28120
-  Hublots DIN28120
-  Schaugläser DIN28120
-  Mirillas DIN28120
-  Sight occhiali DIN28120

- ◆ 7009 07 050
- ◆ 7009 07 080
- ◆ 7009 07 100
- ◆ 7009 07 125
- ◆ 7009 07 150
- ◆ 7009 07 200

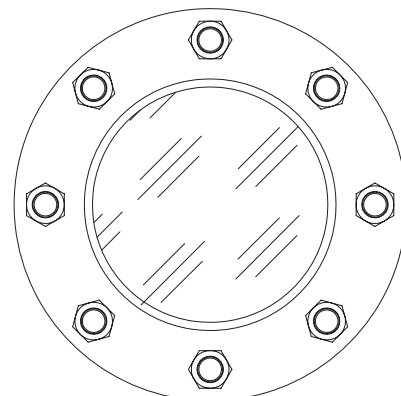
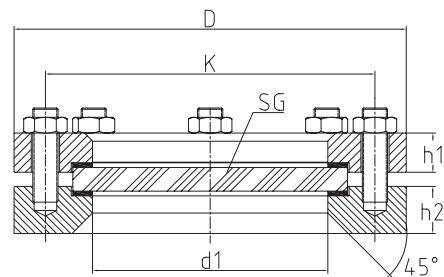


**STANDARD SIZE/\*** At temperature 50°C /122 °F

CODE	d1	SG	D	h1	h2	K	P.R
	mm	mm	mm	mm	mm	mm	bar
7009 07 050	80	100	165	16	30	125	10/16
7009 07 080	100	125	200	20	30	160	10/16
7009 07 100	125	150	220	22	30	180	10/16
7009 07 125	150	175	250	25	30	210	10/16
7009 07 150	175	200	285	30	36	240	10
7009 07 200	225	250	340	35	36	295	10

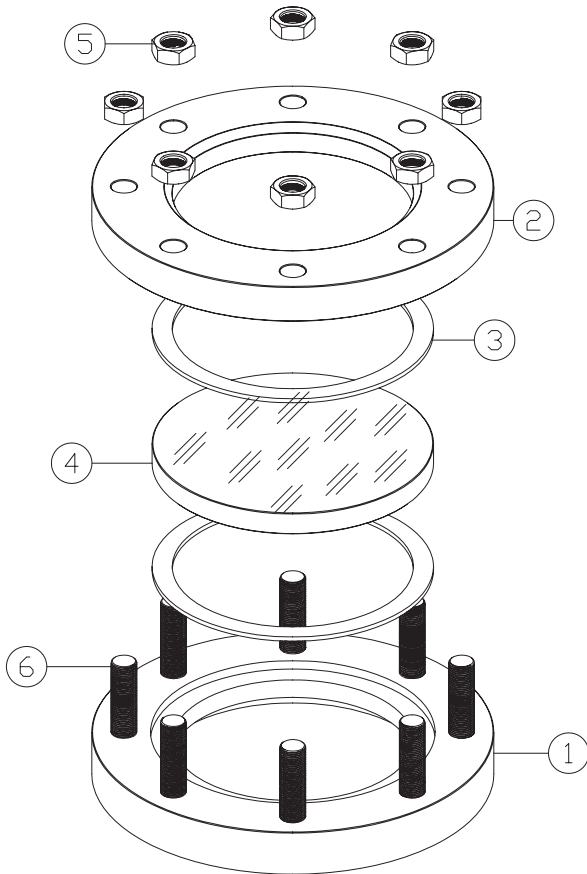
IF YOU WANT TO CHECK FOR MORE DETAILS  
PLEASE CHECK THE FOLLOWING DRAWING

\*1BAR ≈14.5PSI=0.1MPA





## HSG Parts Drawing



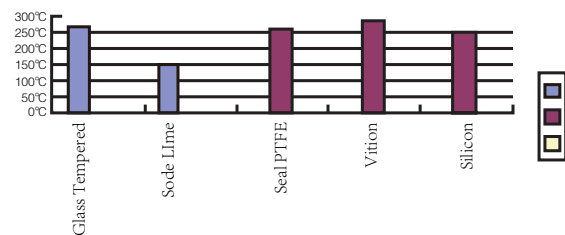
Item	Description	Material	Qty
1	Welding flange	1.4301/1.4404	1
2	Cover flange	1.4301/1.4404	1
3	Gasket	PTFE	2
4	Sight glass disc	Tempered	1
5	Nut	T304	8
6	Screw	T304	8

### Application:

Weld-on sight glass fittings for the observation of the internals of pressure vessels, silos, gear-trains, separators, pipelines, etc.

### Operating Conditions:

These fittings are available for pressure up to 16 bar (depending on size, higher pressure rating on request). For temperature rating (depending on material selection) see the following diagram.



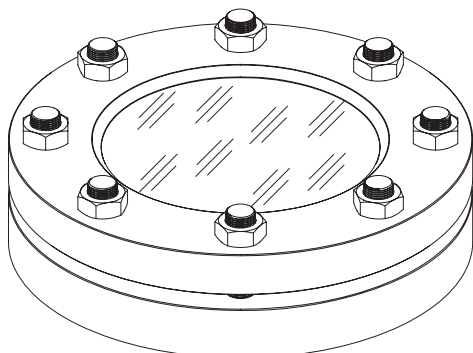
## HSG Technology

### TECHNICAL DATA

Working pressure: . . . . .Acc. to table standard size.

### Certificates

EN10204. 3.1 certificate



### Assembly:

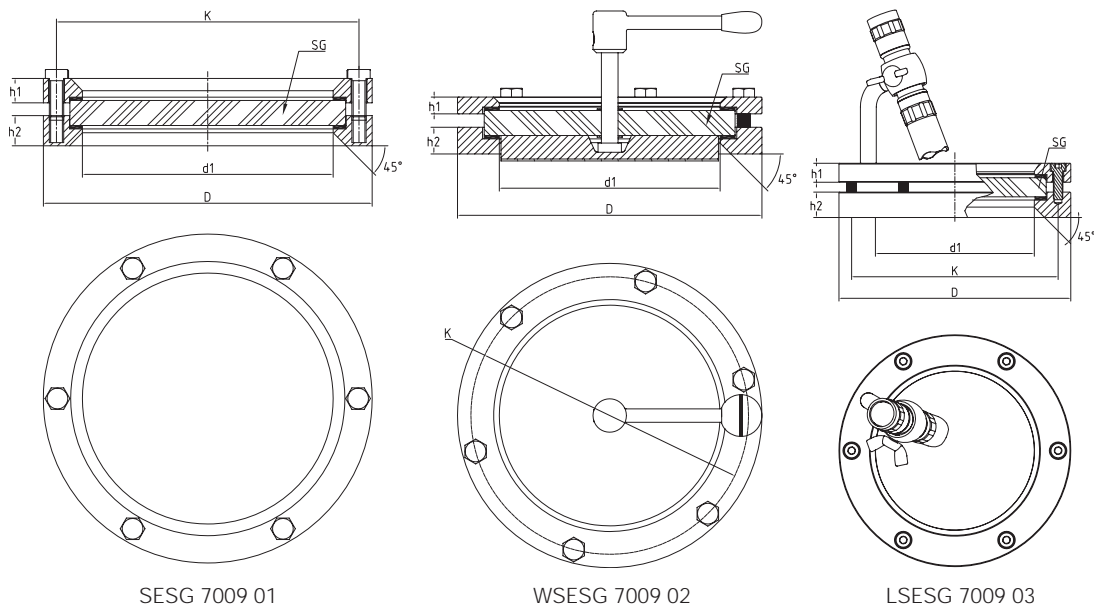
After welding base flange (1) onto or into vessel wall, seals (3), Glass disc (4) and cover flange (5) are placed together in the order shown. Then the nuts (5) (in case of studded base flange) and washers are progressively tightened, always working on diametrically opposed pairs of nuts at time. Other information can be taken from DIN 28120.

### Ordering Information:

Please specify the selected items as follows:  
 Fittings: nominal bore (DN) and nominal pressure (PN).  
 Material: welding flange, bolts, cover flange, glass disc, seals.

-  Sight glasses
-  Hublots
-  Schaugläser
-  Mirillas
-  Sight occhiali

- ◆ 7009 01-03 080
- ◆ 7009 01-03 100
- ◆ 7009 01-03 150

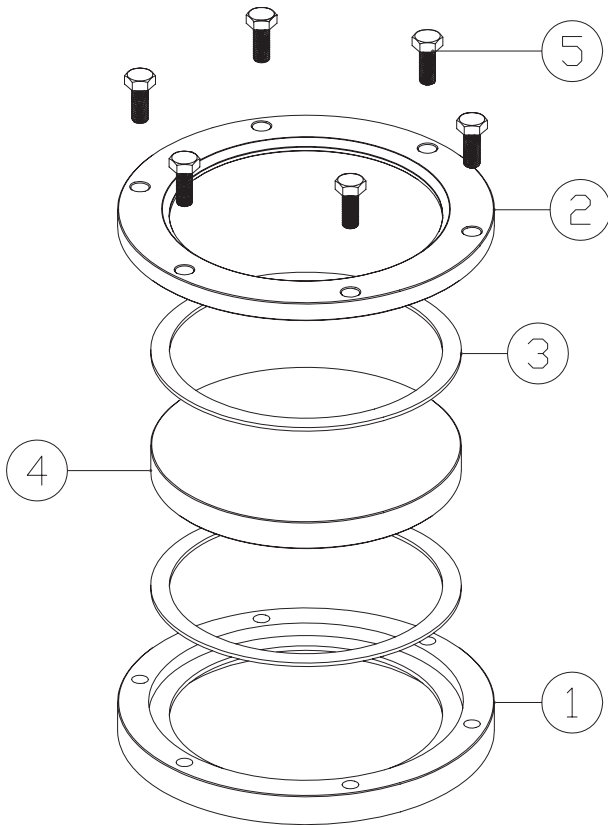


**STANDARD SIZE/\*** At temperature 50°C /122 °F

CODE	d1	SG	D	h1	h2	K	Tem.MAX	Pressure rating (bar)
	mm	mm	mm	mm	mm	mm	°C	PN
7009 01-03 080	80	95×10	126	10	16	110	130	6
7009 01-03 100	100	115×12	146	10	16	130	130	6
7009 01-03 150	130	150×15	182	10	16	166	130	6

IF YOU WANT TO CHECK FOR MORE DETAILS PLEASE CHECK THE FOLLOWING DRAWING \*1BAR ≈14.5PSI=0.1MPA

## SESG Parts Drawing



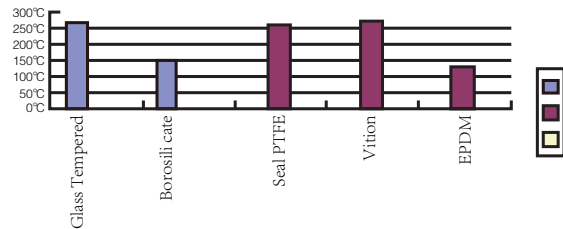
GASKET		
Part No.	Material	Color
7009 03 1	PTFE	White
7009 03 2	EPDM	Black
7009 03 3	FPM	Black

Item	Description	Material	Qty
1	Welding flange	1.4301/1.4404	1
2	Cover flange	1.4301/1.4404	1
3	Gasket	PTFE	2
4	Sight glass disc	Tempered	1
5	Screw	T304	6

## Operating Conditions:

These fittings are available for pressure up to 6 bar (depending on size, higher pressure rating on request). For temperature rating (depending on material selection) see the following diagram.



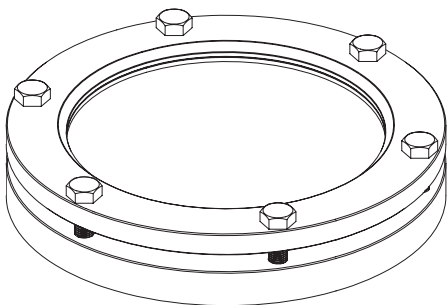
## HSG Technology

### TECHNICAL DATA

Working pressure: . . . . . Acc. to table standard size.

### Certificates






EN10204. 3.1 certificate



## Ordering Information:

sight glass wiper SW, size 3, wiper blade PTFE. If a sight glass disc is needed as well, please specify the following data:

- Borosilicate or Tempered glass
- Sight glass disc size (diameter x s)
- nominal fittings diameter DN

-  Screwed Union Sight glasses
-  Hublots
-  Schaugläser
-  Mirillas
-  Sight occhiali

◆ 7009 04 080

◆ 7009 04 100



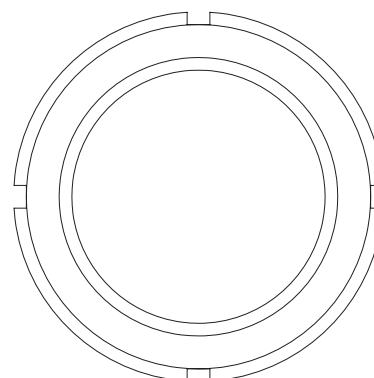
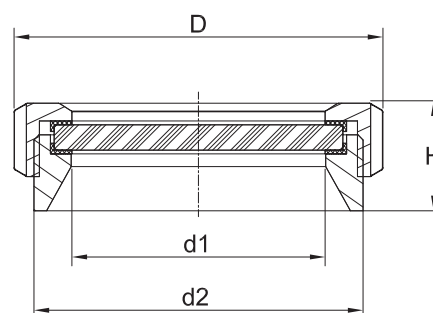
**STANDARD SIZE/\*** At temperature 50°C /122 °F

CODE	d1	d2	SG	D	H	P.R
	mm	mm	mm	mm	mm	bar
7009 04 080	85	114×3	100×10	125	42	6
7009 04 100	100	130×5	115×10	146	45	6

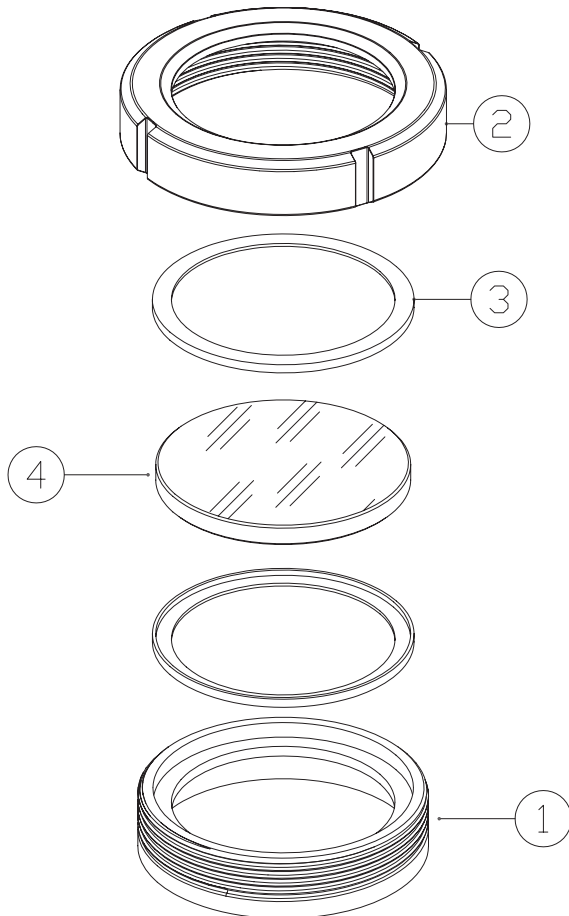
IF YOU WANT TO CHECK FOR MORE DETAILS

PLEASE CHECK THE FOLLOWING DRAWING

\*1BAR ≈14.5PSI=0.1MPA



## USESG Parts Drawing



Item	Description	Material	Qty
1	Welding male	1.4301/1.4404	1
2	Nut	1.4301	1
3	Gasket	Silicon	2
4	Sight glass disc	Tempered	1

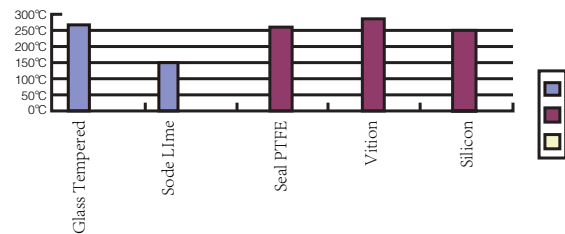
## Applications

Its compact design also makes this unit ideal for inspection use in small bio-reactor vessels and the lids of manways or inspection hatches.

Used widely in the food, dairy, beverage, cosmetic and pharmaceutical industries, these units can be enhanced by the addition of optional wiper assemblies and also low voltage 24v/IP 65 sight & light assemblies.

## Operating Conditions:

These fittings are available for pressure up to 6 bar (depending on size, higher pressure rating on request). For temperature rating (depending on material selection) see the following diagram.



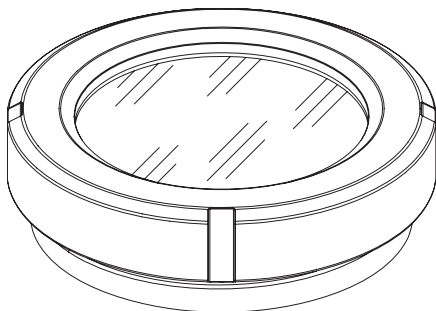
## USESG Technology

### TECHNICAL DATA

Working pressure: . . . . .Acc. to table standard size.

### Certificates






EN10204. 3.1 certificate

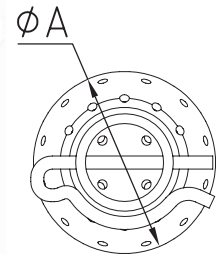
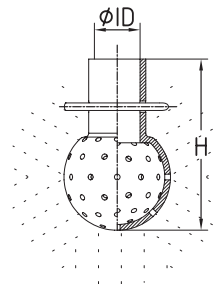


## Ordering Information:

Tempered and borosilicate glass view ports to DIN 8902  
 Range of food grade seal materials including EPDM, Silicon, Viton® and PTFE  
 Wetted parts available in 316L 1.4404, 304SS 1.4401  
 IP65 rated low voltage 24V / 12V lights with 20 to 50 Watt halogen lamps

**Note:** Low voltage assemblies are only suitable for use in non explosive hazardous areas.

-  Static Spray balls
-  Tête de pulvérisation
-  Sprühkopf
-  Boquilla de limpieza de tanque
-  Sfere di lavaggio



## 360° Pattern

STANDARD SIZE/\* At temperature 50°C /122 °F

CODE	Connection	DIN11850 / DIN11866			Operating Dia	Flow rate(m <sup>3</sup> /h)		Ball dia	H
		DIN	ISO1127	Inch		Meters(m)	1Bar		
7008 001	Slip on	12/13	13.5	1/2"	0.8-1.5	2.8	-	28	45
7008 002	Slip on	18/19	17.2/21.3	3/4"	1.0-2.0	5.1	-	28	45
7008 003	G BSP G1/4"	13	13.5	1/2"	0.8-1.5	2.4	-	28	45
7008 004	G BSP G 1/2"	19	17.2/21.3	3/4"	1.0-2.0	4.7	-	28	45






The welded type is similar to slip on, Only 316L is available. Hole Ø 1.25mm

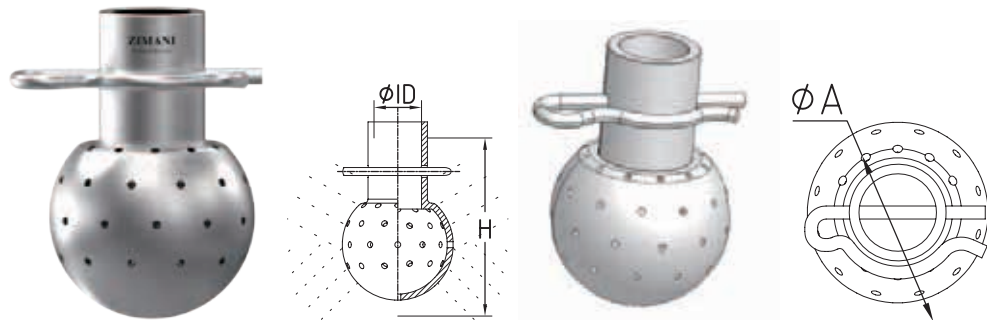
CODE	Connection	DIN11850 / DIN11866			Operating Dia	Flow rate(m <sup>3</sup> /h)		Ball dia	H
		DIN	ISO1127	Inch		Meters(m)	1Bar		
7008 005	Slip on	28/29	26.9	1"	2.0-3.0	9.8	15.3	64	85
7008 006	Slip on	40/41	33.7	1.5"	2.5-3.5	12.8	20.8	64	85
7008 007	G BSP G 3/4"	29	26.9	1"	2.0-3.0	9.4	14.7	64	85
7008 008	G BSP G 1"	41	33.7	1.5"	2.5-3.5	12.3	20.2	64	85

The welded type is similar to slip on, Only 316L is available. Hole Ø 2.00mm

CODE	Connection	DIN11850 / DIN11866			Operating Dia	Flow rate(m <sup>3</sup> /h)		Ball dia	H
		DIN	ISO1127	Inch		Meters(m)	1Bar		
7008 009	Slip on	52/53	-	2"	3.5-5.0	28.4	47.00	93	115
7008 010	Slip on	52/53	-	2"	4.0-6.0	35.6	58.90	93	115
7008 011	G BSP G 1 1/2"	53	-	2"	3.5-5.0	27.4	45.37	93	115
7008 012	G BSP G 1 1/2"	53	-	2"	4.0-6.0	34.5	57.13	93	115

The welded type is similar to slip on, Only 316L is available. Hole Ø 2.00mm, Hole Ø2.40m

-  Static Spray balls
-  Tête de pulvérisation
-  Sprühkopf
-  Boquilla de limpieza de tanque
-  Sfere di lavaggio



## 270° Upward Spray

STANDARD SIZE/\* At temperature 50°C /122 °F

CODE	Connection	DIN11850 / DIN11866			Operating Dia Meters(m)	Flow rate(m <sup>3</sup> /h)		Ball dia Inch/mm	H mm
		DIN	ISO1127	Inch		1Bar	2.0bar		
7008 013	Slip on	12/13	13.5	1/2"	0.8-1.5	2.6	-	28	45
7008 014	Slip on	18/19	17.2/21.3	3/4"	1.0-2.0	4.6	-	28	45
7008 015	G BSP G 1/4"	13	13.5	1/2"	0.8-1.5	2.2	-	28	45
7008 016	G BSP G 1/2"	19	17.2/21.3	3/4"	1.0-2.0	4.3	-	28	45






The welded type is similar to slip on, Only 316L is available. Hole Ø 1.25mm

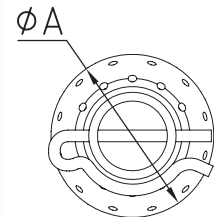
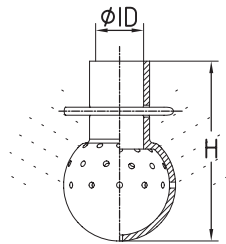
CODE	Connection	DIN11850 / DIN11866			Operating Dia Meters(m)	Flow rate(m <sup>3</sup> /h)		Ball dia Inch/mm	H mm
		DIN	ISO1127	Inch		1Bar	2.0bar		
7008 017	Slip on	28/29	26.9	1"	2.0-3.0	8.9	13.9	64	85
7008 018	Slip on	40/41	33.7	1.5"	2.5-3.5	11.6	18.9	64	85
7008 019	G BSP G 3/4"	29	26.9	1"	2.0-3.0	8.5	13.3	64	85
7008 020	G BSP G 1"	41	33.7	1.5"	2.5-3.5	11.2	18.3	64	85

The welded type is similar to slip on, Only 316L is available. Hole Ø 2.00mm

CODE	Connection	DIN11850 / DIN11866			Operating Dia Meters(m)	Flow rate(m <sup>3</sup> /h)		Ball dia Inch/mm	H mm
		DIN	ISO1127	Inch		1Bar	2.0bar		
7008 021	Slip on	52/53	-	2"	3.5-5.0	25.8	42.7	93	115
7008 022	Slip on	52/53	-	2"	4.0-6.0	32.3	53.5	93	115
7008 023	G BSP G 1 1/2"	53	-	2"	3.5-5.0	24.9	41.2	93	115
7008 024	G BSP G 1 1/2"	53	-	2"	4.0-6.0	31.3	51.9	93	115

The welded type is similar to slip on, Only 316L is available. Hole Ø 2.00mm, Hole Ø2.40m

-  Static Spray balls
-  Tête de pulvérisation
-  Sprühkopf
-  Boquilla de limpieza de tanque
-  Sfere di lavaggio



## 180° Upward Spray

STANDARD SIZE/\* At temperature 50°C /122 °F

CODE	Connection	DIN11850 / DIN11866			Operating Dia	Flow rate(m <sup>3</sup> /h)		Ball dia	H
		DIN	ISO1127	Inch		Meters(m)	1Bar		
7008 025	Slip on	12/13	13.5	1/2"	0.8-1.5	1.43	-	28	45
7008 026	Slip on	18/19	17.2/21.3	3/4"	1.0-2.0	2.6	-	28	45
7008 027	G BSP G 1/4"	13	13.5	1/2"	0.8-1.5	1.2	-	28	45
7008 028	G BSP G 1/2"	19	17.2/21.3	3/4"	1.0-2.0	2.4	-	28	45

The welded type is similar to slip on, Only 316L is available. Hole Ø 1.25mm






CODE	Connection	DIN11850 / DIN11866			Operating Dia	Flow rate(m <sup>3</sup> /h)		Ball dia	H
		DIN	ISO1127	Inch		Meters(m)	1Bar		
7008 029	Slip on	28/29	26.9	1"	2.0-3.0	7.8	12.4	64	85
7008 030	Slip on	40/41	33.7	1.5"	2.5-3.5	8.3	14.1	64	85
7008 031	G BSP G 3/4"	29	26.9	1"	2.0-3.0	7.5	11.6	64	85
7008 032	G BSP G 1"	41	33.7	1.5"	2.5-3.5	7.9	13.7	64	85

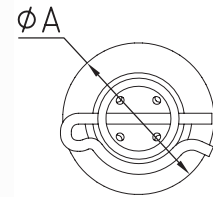
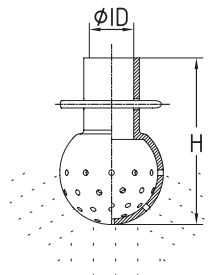
The welded type is similar to slip on, Only 316L is available. Hole Ø 2.00mm

CODE	Connection	DIN11850 / DIN11866			Operating Dia	Flow rate(m <sup>3</sup> /h)		Ball dia	H
		DIN	ISO1127	Inch		Meters(m)	1Bar		
7008 033	Slip on	52/53	-	2"	3.5-5.0	19.3	30.6	93	115
7008 034	Slip on	52/53	-	2"	4.0-6.0	22.5	37.5	93	115
7008 035	G BSP G 1 1/2"	53	-	2"	3.5-5.0	18.6	29.6	93	115
7008 036	G BSP G 1 1/2"	53	-	2"	4.0-6.0	21.9	36.4	93	115

The welded type is similar to slip on, Only 316L is available. Hole Ø 2.00mm, Hole Ø2.40m



-  Static Spray balls
-  Tête de pulvérisation
-  Sprühkopf
-  Boquilla de limpieza de tanque
-  Sfere di lavaggio



## 180° Downward Spray

STANDARD SIZE/\* At temperature 50°C /122 °F

CODE	Connection	DIN11850 / DIN11866			Operating Dia	Flow rate(m <sup>3</sup> /h)		Ball dia	H
		DIN	ISO1127	Inch		Meters(m)	1Bar		
7008 037	Slip on	12/13	13.5	1/2"	0.8-1.5	1.7	-	28	45
7008 038	Slip on	18/19	17.2/21.3	3/4"	1.0-2.0	3.1	-	28	45
7008 039	G BSP G 1/4"	13	13.5	1/2"	0.8-1.5	1.5	-	28	45
7008 040	G BSP G 1/2"	19	17.2/21.3	3/4"	1.0-2.0	2.8	-	28	45

The welded type is similar to slip on, Only 316L is available. Hole Ø 1.25mm

CODE	Connection	DIN11850 / DIN11866			Operating Dia	Flow rate(m <sup>3</sup> /h)		Ball dia	H
		DIN	ISO1127	Inch		Meters(m)	1Bar		
7008 041	Slip on	28/29	26.9	1"	2.0-3.0	6.9	10.9	64	85
7008 042	Slip on	40/41	33.7	1.5"	2.5-3.5	7.8	12.8	64	85
7008 043	G BSP G 3/4"	29	26.9	1"	2.0-3.0	6.6	10.5	64	85
7008 044	G BSP G 1"	41	33.7	1.5"	2.5-3.5	7.5	12.4	64	85

The welded type is similar to slip on, Only 316L is available. Hole Ø 2.00mm

CODE	Connection	DIN11850 / DIN11866			Operating Dia	Flow rate(m <sup>3</sup> /h)		Ball dia	H
		DIN	ISO1127	Inch		Meters(m)	1Bar		
7008 045	Slip on	52/53	-	2"	3.5-5.0	17.1	28.9	93	115
7008 046	Slip on	52/53	-	2"	4.0-6.0	22.4	37.1	93	115
7008 047	G BSP G 1 1/2"	53	-	2"	3.5-5.0	16.6	27.9	93	115
7008 048	G BSP G 1 1/2"	53	-	2"	4.0-6.0	21.7	35.6	93	115

The welded type is similar to slip on, Only 316L is available. Hole Ø 2.00mm, Hole Ø2.40m



**P&E TECHNOLOGY**

Provide customers with most  
precise and efficient solution, and  
making the world work better.

[www.pestainless.com](http://www.pestainless.com)

**> ZIMANI**