



P&E TECHNOLOGY



AS Standard Sanitary Stainless  
Steel Tubing, Valves and Fittings

**AS**

[www.pestainless.com](http://www.pestainless.com)

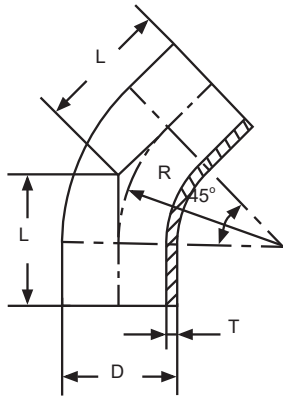


P&E TECHNOLOGY

Provide our customers with the best solution accurately and efficiently.

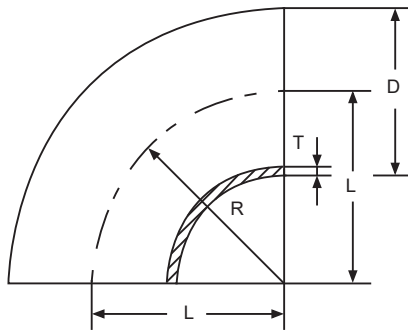
# Weld Fittings

AS2KS 45° Long Elbow



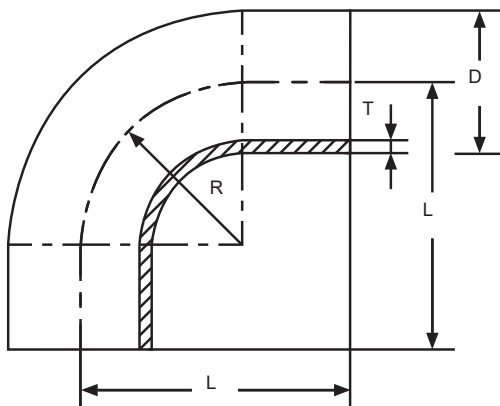
Size	D	L	R	T
1/2"	12.7	37.9	19.1	1.6
3/4"	19.1	41.9	28.6	1.6
1"	25.4	45.8	38.1	1.6
1.25"	31.8	49.8	47.7	1.6
1.5"	38.1	53.7	57.2	1.6
2"	50.8	61.6	76.2	1.6
2.5"	63.5	69.5	95.3	1.6
3"	76.2	77.3	114.3	1.6
4"	101.6	93.1	152.4	1.6

ASWCL 90° Short Elbow



Size	D	L	R	T
1/2"	12.7	19.1	19.1	1.6
3/4"	19.1	28.6	28.6	1.6
1"	25.4	38.1	38.1	1.6
1.25"	31.8	47.7	47.7	1.6
1.5"	38.1	57.2	57.2	1.6
2"	50.8	76.2	76.2	1.6
2.5"	63.5	95.3	95.3	1.6
3"	76.2	114.3	114.3	1.6
4"	101.6	152.4	152.4	1.6
5"	127.0	190.5	190.5	2.0
6"	152.4	228.6	228.6	2.0
8"	203.2	304.8	304.8	2.0

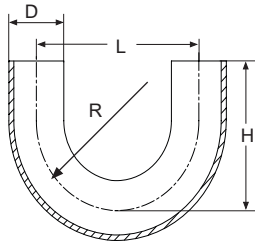
AS2S 90° Long Elbow



Size	D	L	R	T
1/2"	12.7	49.1	19.1	1.6
3/4"	19.1	58.6	28.6	1.6
1"	25.4	68.1	38.1	1.6
1.25"	31.8	77.7	47.7	1.6
1.5"	38.1	87.2	57.2	1.6
2"	50.8	106.2	76.2	1.6
2.5"	63.5	125.3	95.3	1.6
3"	76.2	144.3	114.3	1.6
4"	101.6	182.4	152.4	1.6
5"	127.0	230.5	190.5	2.0
6"	152.4	268.6	228.6	2.0
8"	203.2	344.8	304.8	2.0

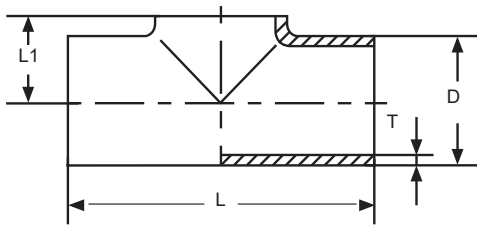
# Weld Fittings

ASWU 180° Long Elbow



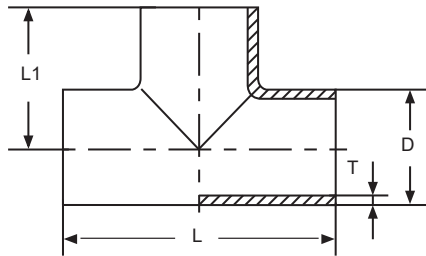
Size	D	L	R	H
1"	25.4	76.2	38.1	68.1
1.5"	38.1	114.4	57.2	87.2
2"	50.8	152.4	76.2	106.2
2.5"	63.5	190.6	95.3	125.3
3"	76.2	228.6	114.3	144.3
4"	101.6	304.8	152.4	182.4

A7WWWS Equal Tee



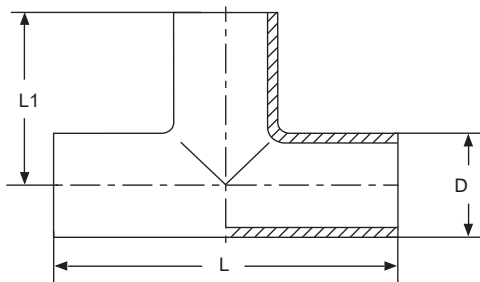
Size	D	L	L1	T
1/2"	12.7	38.2	9.4	1.6
3/4"	19.1	57.2	12.6	1.6
1"	25.4	76.2	15.7	1.6
1.25"	31.8	95.4	18.9	1.6
1.5"	38.1	114.4	22.1	1.6
2"	50.8	152.4	28.4	1.6
2.5"	63.5	190.6	34.8	1.6
3"	76.2	228.6	41.1	1.6
4"	101.6	304.8	53.8	1.6

AS7WWW Short Equal Tee



Size	D	L	L1	T
1/2"	12.7	38.2	19.1	1.6
3/4"	19.1	57.2	28.6	1.6
1"	25.4	76.2	38.1	1.6
1.25"	31.8	95.4	47.7	1.6
1.5"	38.1	114.4	57.2	1.6
2"	50.8	152.4	76.2	1.6
2.5"	63.5	190.6	95.3	1.6
3"	76.2	228.6	114.3	1.6
4"	101.6	304.8	152.4	1.6
5"	127.0	381.0	190.5	1.6
6"	152.4	457.2	228.6	1.6
8"	203.2	609.6	304.8	1.6

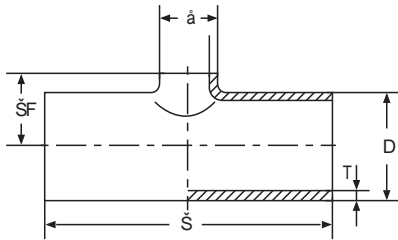
AS7W Long Equal Tee



Size	D	L	L1	T
1/2"	12.7	98.2	49.1	1.6
3/4"	19.1	117.2	58.6	1.6
1"	25.4	136.2	68.1	1.6
1.25"	31.8	155.4	77.7	1.6
1.5"	38.1	174.4	87.2	1.6
2"	50.8	212.4	106.2	1.6
2.5"	63.5	250.6	125.3	1.6
3"	76.2	288.6	144.3	1.6
4"	101.6	364.8	182.4	1.6
5"	127.0	461.0	230.5	1.6
6"	152.4	537.2	268.6	1.6
8"	203.2	689.6	344.8	1.6

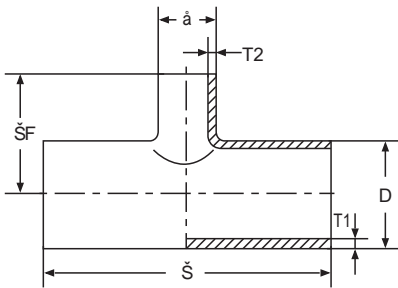
# Weld Fittings

AS7RWWW Equal Reducing Tee



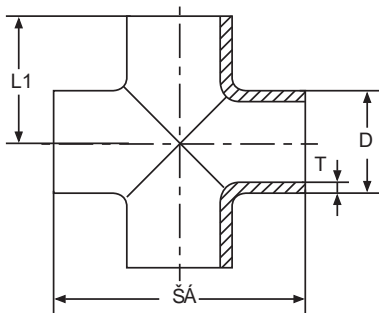
Size	D	d	L	L1	T
1.5"x1.0"	38.1	25.4	160	22.1	1.6
2.0"x1.0"	50.8	25.4	160	28.4	1.6
2.0"x1.5"	50.8	38.1	160	28.4	1.6
2.5"x1.5"	63.5	38.1	160	34.8	1.6
2.5"x2.0"	63.5	50.8	160	34.8	1.6
3.0"x1.5"	76.2	38.1	160	41.1	1.6
3.0"x2.0"	76.2	50.8	160	41.1	1.6
3.0"x2.5"	76.2	63.5	190.5	41.1	1.6
4.0"x2.0"	101.6	50.8	160	53.8	1.6
4.0"x2.5"	101.6	63.5	190.5	53.8	1.6
4.0"x3.0"	101.6	76.2	228.6	53.8	1.6

AS7RWWW Long Reducing Tee



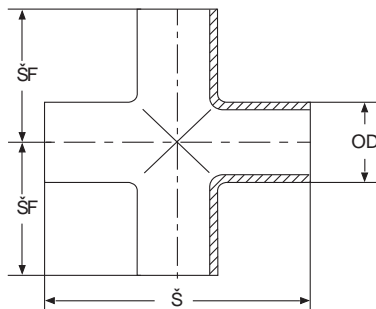
Size	D	d	L	L1	T
1.5"x1.0"	38.1	25.4	160	80	1.6
2.0"x1.0"	50.8	25.4	160	80	1.6
2.0"x1.5"	50.8	38.1	160	80	1.6
2.5"x1.5"	63.5	38.1	160	80	1.6
2.5"x2.0"	63.5	50.8	160	80	1.6
3.0"x1.5"	76.2	38.1	160	80	1.6
3.0"x2.0"	76.2	50.8	160	80	1.6
3.0"x2.5"	76.2	63.5	190.5	95.3	1.6
4.0"x2.0"	101.6	50.8	160	80	1.6
4.0"x2.5"	101.6	63.5	190.5	95.3	1.6
4.0"x3.0"	101.6	76.2	228.6	114.3	1.6

AS9W Short Cross



Size	D	L	L1	Size	T
1/2"	12.7	38.2	19.1		1.6
3/4"	19.1	57.2	28.6		1.6
1"	25.4	76.2	38.1		1.6
1.25"	31.8	95.4	47.7		1.6
1.5"	38.1	114.0	57.2		1.6
2"	50.8	152.4	76.2		1.6
2.5"	63.5	190.0	95.3		1.6
3"	76.2	288.4	114.3		1.6
4"	101.6	304.8	152.4		1.6

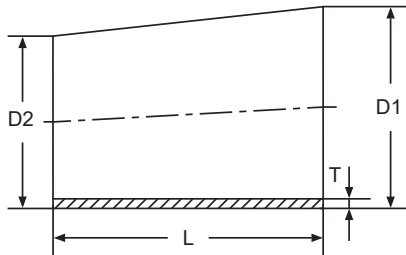
AS9WWW Long Cross



Size	D	L	L1	Size	T
1/2"	12.7	98.2	49.1		1.6
3/4"	19.1	117.2	58.6		1.6
1"	25.4	136.2	68.1		1.6
1.25"	31.8	155.4	77.7		1.6
1.5"	38.1	174.2	87.2		1.6
2"	50.8	212.4	106.2		1.6
2.5"	63.5	250.6	125.3		1.6
3"	76.2	288.6	144.3		1.6
4"	101.6	364.8	182.4		1.6

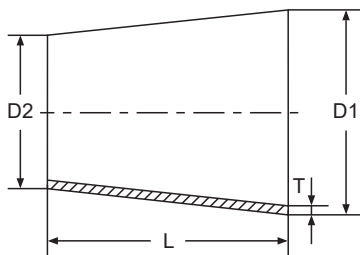
# Weld Fittings

## AS31W Eccentric Reducer



Size	D	L	R	T
1.0"x3/4"	25.4	19.1	25.4	1.6
1.5"x1.25"	38.1	31.8	38.1	1.6
1.5"x1.0"	38.1	25.4	38.1	1.6
2.0"x3/4"	50.8	19.1	50.8	1.6
2.0"x1.0"	50.8	25.4	50.8	1.6
2.0"x1.25"	50.8	31.8	50.8	1.6
2.0"x1.5"	50.8	38.1	50.8	1.6
2.5"x1.0"	63.5	25.4	63.5	1.6
2.5"x1.5"	63.5	38.1	63.5	1.6
2.5"x2.0"	63.5	50.8	63.5	1.6
3.0"x1.0"	76.2	25.4	76.2	1.6
3.0"x1.5"	76.2	38.1	76.2	1.6
3.0"x2.0"	76.2	50.8	76.2	1.6
3.0"x2.5"	76.2	63.5	76.2	1.6
4.0"x2.0"	101.6	50.8	101.6	1.6
4.0"x2.5"	101.6	63.5	101.6	1.6
4.0"x3.0"	101.6	76.2	101.6	1.6
5.0"x3.0"	127	76.2	127	2.0
5.0"x4.0"	127	101.6	127	2.0
6.0"x2.0"	152.4	50.8	152.4	2.0
6.0"x2.5"	152.4	63.5	152.4	2.0
6.0"x3.0"	152.4	76.2	152.4	2.0
6.0"x4.0"	152.4	101.6	152.4	2.0
6.0"x5.0"	152.4	127	152.4	2.0

## AS32W Concentric Reducer



Size	D	L	R	T
3/4"x1/2"	25.4	19.1	25.4	1.6
1.0"x1/2"	38.1	31.8	38.1	1.6
1.0"x3/4"	25.4	19.1	25.4	1.6
1.5"x1.25"	38.1	31.8	38.1	1.6
1.5"x1.0"	38.1	25.4	38.1	1.6
2.0"x3/4"	50.8	19.1	50.8	1.6
2.0"x1.0"	50.8	25.4	50.8	1.6
2.0"x1.25"	50.8	31.8	50.8	1.6
2.0"x1.5"	50.8	38.1	50.8	1.6
2.5"x1.0"	63.5	25.4	63.5	1.6
2.5"x1.5"	63.5	38.1	63.5	1.6
2.5"x2.0"	63.5	50.8	63.5	1.6
3.0"x1.0"	76.2	25.4	76.2	1.6
3.0"x1.5"	76.2	38.1	76.2	1.6
3.0"x2.0"	76.2	50.8	76.2	1.6
3.0"x2.5"	76.2	63.5	76.2	1.6
4.0"x2.0"	101.6	50.8	101.6	1.6
4.0"x2.5"	101.6	63.5	101.6	1.6
4.0"x3.0"	101.6	76.2	101.6	1.6
5.0"x3.0"	127	76.2	127	2.0
5.0"x4.0"	127	101.6	127	2.0
6.0"x2.0"	152.4	50.8	152.4	2.0
6.0"x2.5"	152.4	63.5	152.4	2.0
6.0"x3.0"	152.4	76.2	152.4	2.0
6.0"x4.0"	152.4	101.6	152.4	2.0
6.0"x5.0"	152.4	127	152.4	2.0



## P&E TECHNOLOGY

Provide customers with most  
precise and efficient solution  
and make the world work better.

[www.pestainless.com](http://www.pestainless.com)