



P&E TECHNOLOGY



DIN Standard Sanitary Stainless
Steel Tubing, Fittings and Valves

DIN

www.pestainless.com

Catalog

1. 钢管 / TUBES

1.1 卫生级钢管 / Sanitary Tubes	02
----------------------------	----

2. 配件 / FITTINGS

2.1 管支架 / Installation Accessories	05
2.2 管件 / Sanitary Fittings	10

3. 阀门 / VALVE

3.1 蝶阀 / Sanitary Butterfly Valves	22
3.2 止回阀 / Sanitary Check Valves	28
3.3 球阀 / Sanitary Ball Valves	30
3.4 隔膜阀 / Sanitary Diaphragm Valves	31
3.5 罐底阀 / Sanitary Tank Bottom Valves	39
3.6 取样阀 / Sanitary Sampling Valves	41
3.7 角座阀 / Sanitary Angle Seat Valves	44
3.8 呼吸排气一体阀 / Pressure / Vacuum Relief Valve	47

4. 过滤器 / Filtration

4.1 过滤器 / Straight Filter	48
---------------------------	----

DIN11850 钢管 0 系列
Tubes DIN11850 - Series 0

所有尺寸单位为 mm
all dimensions in mm

公称直径 DN Nominal diameter DN	尺寸 OD Size OD	公差 OD Tolerances, OD	壁厚 Wall thickness	壁厚公差 Tolerances on wall thickness	长度公差 Tolerances on Length	重量 千克 / 米 Weight Kg/m
10	12	±0.12	1.5	±10%	+3.00	0.3924
15	18	±0.12	1.5	±10%	+3.00	0.6205
20	22	±0.12	1.5	±10%	+3.00	0.7709
25	28	±0.15	1.5	±10%	+3.00	0.9965
32	34	±0.15	1.5	±10%	+3.00	1.2222
40	40	±0.2	1.5	±10%	+3.00	1.4478
50	52	±0.2	1.5	±10%	+3.00	1.8991

DIN11850 钢管 2 系列
Tubes DIN11850 - Series 2

所有尺寸单位为 mm
all dimensions in mm

公称直径 DN Nominal diameter DN	尺寸 OD Size OD	公差 OD Tolerances, OD	壁厚 Wall thickness	壁厚公差 Tolerances on wall thickness	长度公差 Tolerances on Length	重量 千克 / 米 Weight Kg/m
10	13	±0.31	1.5	±10%	+3.00	0.43
15	19	±0.31	1.5	±10%	+3.00	0.66
20	23	±0.31	1.5	±10%	+3.00	0.81
25	29	±0.25	1.5	±10%	+3.00	1.03
32	35	±0.31	1.5	±10%	+3.00	1.26
40	41	±0.31	1.5	±10%	+3.00	1.50
50	53	±0.31	1.5	±10%	+3.00	1.944
65	70	±0.32	2.0	±10%	+3.00	3.43
80	85	±0.32	2.0	±10%	+3.00	4.16
100	104	±0.32	2.0	±10%	+3.00	5.03
125	129	±0.42	2.0	±10%	+10.00	6.36
150	154	±0.42	2.0	±10%	+10.00	7.612
200	204	±0.42	2.0	±10%	+10.00	10.116
250	254	±0.42	2.0	±10%	+20.00	12.555
300	304	±0.42	2.0	±10%	+20.00	15.045

Chemical Composition

Werkstoff- nummer	Norm	C ≤	Si ≤	Mn ≤	P max.	S ≤	N ≤	Cr	Mo	Ni
1.4301	DIN EN 10217-7	0.07	0.15	2.0	0.045	0.015	0.11	17.0 bis 19.5	—	8.0 bis 10.5
304	ASTM A269 ASTM A270	0.08	0.75	2.0	0.045	0.030	0.10	18.0 bis 20.5	—	8.0 bis 10.5
1.4307D	DIN EN 10217-7	0.031	1.0	2.0	0.045	0.015	0.11	17.0 bis 19.5	—	8.0 bis 10.5
304L	ASTM A269 ASTM A270	0.03	0.75	2.0	0.045	0.030	0.10	18.0 bis 20.5	—	8.0 bis 12.0
1.4404D	DIN EN 10217-7	0.31	1.0	2.0	0.045	0.015	0.11	17.0 bis 19.5	17.0 bis 19.5	8.0 bis 10.5
316L	ASTM A269 ASTM A270	0.03	0.75	2.0	0.045	0.030	0.10	18.0 bis 20.5	2.0 bis 2.5	10.0 bis 14.0

钢管根据 DIN11850 系列三 Tubes DIN11850 Practice based sizes

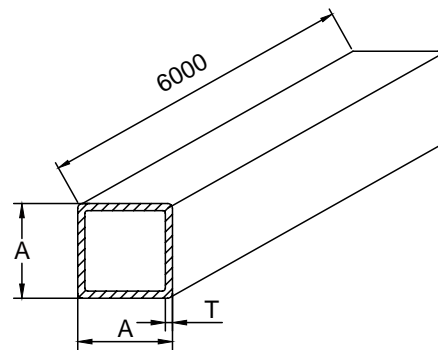
尺寸公差 Dimensional Tolerances

所有尺寸单位为 mm
all dimensions in mm

公称直径 DN Nominal diameter DN	尺寸 OD Size OD	公差 OD Tolerances, OD	壁厚 Wall thickness	壁厚公差 Tolerances on wall thickness	长度公差 Tolerances on Length	重量 千克 / 米 Weight Kg/m
10	14	±0.3	2.0	±10%	+3.00	0.60
15	20	±0.3	2.0	±10%	+3.00	0.90
20	24	±0.3	2.0	±10%	+3.00	1.10
25	30	±0.3	2.0	±10%	+3.00	1.40
32	36	±0.3	2.0	±10%	+3.00	1.70
40	42	±0.3	2.0	±10%	+3.00	2.00
50	54	±0.3	2.0	±10%	+3.00	2.60

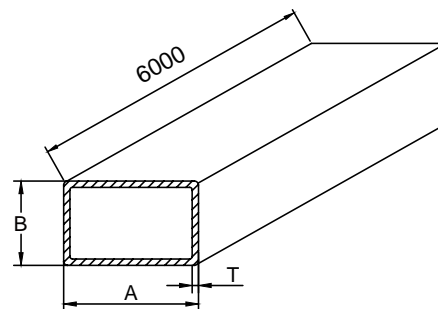
不锈钢方管 Stainless Steel Square Tubes

Size	A	T	L
20	20	1.2-3	6000.0
30	30	1.5-3	6000.0
35	35	1.5-3	6000.0
40	40	1.5-3	6000.0
50	50	1.5-4	6000.0
60	60	2-4	6000.0
80	80	3-6	6000.0
100	100	3-6	6000.0



不锈钢长方管 Stainless steel rectangular tube

Size	A	B	T	L
20×10	20	10	1-2	6000.0
32×25	32	25	1-2	6000.0
50×25	50	25	1.5-3	6000.0
70×40	70	40	2-3	6000.0
100×50	100	50	3-4	6000.0



打标:**Marking:**

管道应根据技术规范 DIN 17456 或 DIN 17455 的规定进行标记:

- 制造商标
- 标准
- 表面质量打标
- 尺寸 (内径 × 壁厚 × 长度)
- 钢材的等级 (材质号)
- 炉号
- 批号

The pipes should be marked according to the provisions of the technical specifications DIN 17456 or DIN 17455 with :

- Manufacturer mark
- Standard
- Surface quality mark (see *** Section 14)
- Dimension(ODxWTxLENGTH)
- Steel grade (material number)
- Heat number
- Lot number

**例如:****For Examples:**

P&E-DIN11850-CD-52x1.5x6000mm-1.4301-HT145611-LOT Nr.141413

订购:**Ordering:**

所有管的交付长度为 6 米或 6.1 米。请描述以下内容

订购时:

- 范围系列
- DIN 编号的技术规范 (焊管 DIN17455, 无缝管 DIN17456)
- 外径以及壁厚
- 制造长度
- 材质
- 表面质量的缩写
- 证书
- 测试类别符合 DIN EN 10217-7

All tubes are delivered in lengths of 6 metres or 6.1 metres.

Please state the following

when ordering:

- Range Series
- DIN number of the technical specification (welded pipes DIN17455 , seamless pipes DIN 17456)
- Outside diameter and wall thickness
- Manufactured length
- Material
- Abbreviation for the surface quality (see *** Section 14)
- Certificates
- Test category accordig to DIN EN 10217-7

管支架支撑建议:**Tube Hanger Support Recommendations:**

加工线不能生硬地固定在设备上。必须允许它们能够漂浮。温度会导致膨胀和收缩——如果管道悬挂支架安装不正确,可能会产生变形,管道可能会发生泄漏。

Processing lines are not to be rigidly anchored to equipment. They must be allowed to float. Temperatures can cause expansion and contraction - if tube hanger supports are mounted incorrectly, distortion and possibly leakage of the lines could occur.

正确的管支架安装方式:**Proper Tube Hanger Support Installation:**

直管段每 10 英尺需要一个管支架支撑。每个阀门的每一侧都需要支撑(尽可能靠近连接处)。此外,每次改变方向都需要管支架支撑。

Straight sections of tube need a support every 10 feet. Support needs to be on each side of every valve (as close as possible to the connection). Additionally, a support needs to be used at each change of direction.

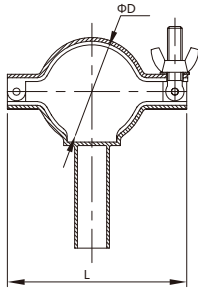


每个配件包装都有一个条形码

Each Fitting Packaging Has A Barcode

TH1-A 管支架

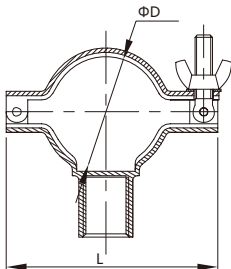
TH1-A Tubing Hanger



Size	D	L
1"	25.4	66
1.5"	38.1	79
2"	50.8	90
2.5"	63.5	105
3"	76.2	120
4"	101.6	146

TH1-B 管支架

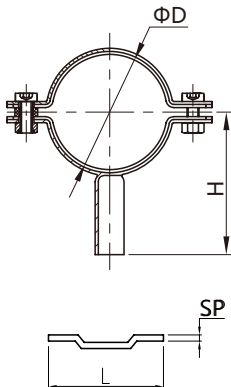
TH1-B Tubing Hanger



Size	D	L
1"	25.4	66
1.5"	38.1	79
2"	50.8	90
2.5"	63.5	105
3"	76.2	120
4"	101.6	146

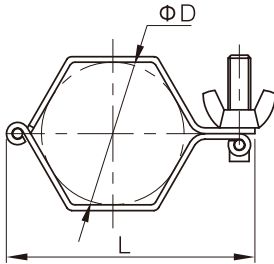
TH2 管支架

TH2 Tubing Hanger



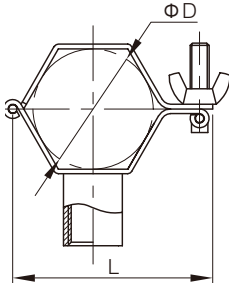
Size	D	H	L	SP
0.5"	12.7	58.4	12	1.5
0.75"	19.1	62.5	25	1.5
1"	25.4	65.7	25	1.5
1.5"	38.1	72	25	1.5
2"	50.8	78.4	25	1.5
2.5"	63.5	84.8	25	2
3"	76.2	91	25	2
4"	101.6	103.8	28	2
5"	129	117.5	28	2.5
6"	154	130	28	2.5
8"	204	155	35	3
10"	254	180	35	3
12"	304	205	35	3

TH3-A 管支架
TH3-A Tubing Hanger



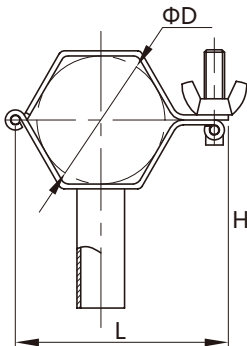
Size	D	L
1"	25.4	61
1.5"	38.1	76
2"	50.8	90
2.5"	63.5	106
3"	76.2	120
4"	101.6	146

TH3-B 管支架
TH3-B Tubing Hanger



Size	D	L
1"	25.4	61
1.5"	38.1	76
2"	50.8	90
2.5"	63.5	106
3"	76.2	120
4"	101.6	146

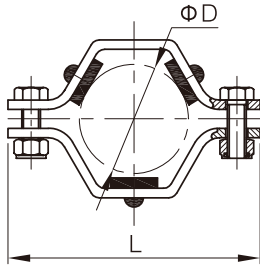
TH3-C 管支架
TH3-C Tubing Hanger



Size	D	L	H
1"	25.4	61	100
1.5"	38.1	76	100
2"	50.8	90	100
2.5"	63.5	106	100
3"	76.2	120	100
4"	101.6	146	104

TH4-A 管支架

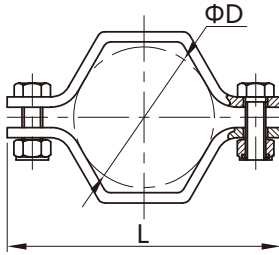
TH4-A Tubing Hanger



Size	D	L
1"	25.4	86.6
1.5"	38.1	79
2"	50.8	92
2.5"	63.5	127.6
3"	76.2	142
4"	101.6	175

TH4-B 管支架

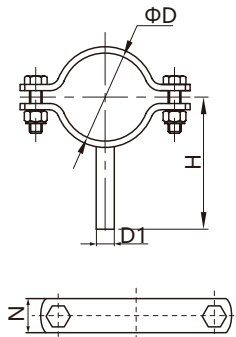
TH4-B Tubing Hanger



Size	D	L
1"	25.4	86.6
1.5"	38.1	79
2"	50.8	92
2.5"	63.5	127.6
3"	76.2	142
4"	101.6	175

TH5-A 管支架

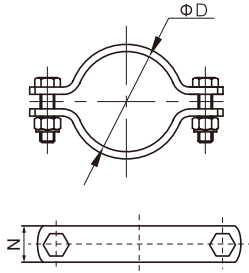
TH5-A Tubing Hanger



Size	D	D1	H	N
DN10	13	8	64	20
DN15	19	8	67	20
DN20	23	8	69	20
DN25	29	10	72	20
DN32	35	10	75	20
DN40	41	10	78	20
DN50	53	12	84	20
DN65	70	12	93	20
DN80	85	12	100	25
DN100	104	12	110	25
DN125	129	16	140	30
DN150	152	16	180	40
DN200	204	20	240	50
DN250	254	24	280	60

TH5-B 管支架

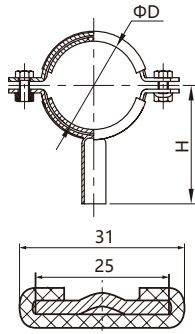
TH5-B Tubing Hanger



Size	D	N
DN10	13	20
DN15	19	20
DN20	23	20
DN25	29	20
DN32	35	20
DN40	41	20
DN50	53	20
DN65	70	20
DN80	85	25
DN100	104	25
DN125	129	30
DN150	152	40
DN200	204	50
DN250	254	60

TH6-A 管支架

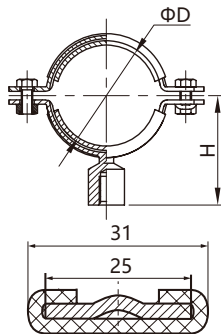
TH6-A Tubing Hanger



Size	D	H
0.5"	12.7	90
0.75"	19.1	90
1"	25.4	90
1.5"	38.1	90
2"	50.8	90
2.5"	63.5	90
3"	76.2	90
4"	101.6	90
5"	129	117.5
6"	154	130
8"	204	155
10"	254	180
12"	304	205

TH6-B 管支架

TH6-B Tubing Hanger



Size	D	H
0.5"	12.7	40.4
0.75"	19.1	44.5
1"	25.4	47.7
1.5"	38.1	54
2"	50.8	60.4
2.5"	63.5	66.8
3"	76.2	73
4"	101.6	85.8
5"	129	99.5
6"	154	94
8"	204	137
10"	254	162
12"	304	187

普伊的卫生管，弯头，三通，大小头和卡箍活接套严格按照德国 DIN11850, DIN32676 标准，快装配件的密封圈有几种不同的材料，三元乙丙橡胶，硅胶，FPM 和聚四氟乙烯。

The hygienic Tubes, Bends, Tee, Reducers, and Clamp Union of P&E are strictly manufactured according to Germany DIN11850, DIN32676 Standard, Gaskets for Clamp Fittings are available in several different materials, including EPDM, Silicone, FPM, and PTFE.



DIN fittings meet requirements.

配件 (Fittings) DIN11852/DIN11850

配件规格 (Fittings Specifications....)

尺寸范围：内径 DN10 至内径 DN200

材质：1.4301 (304) , 1.4404 (316L)

表面光洁度：

机械抛光

内部 20Ra (0.51μm), 外部 32Ra (0.8μm)

No. 7 - 内外抛光

No.5- 外表面抛光

No.3- 内表面抛光

No.1 . 未抛光

定制 - 根据客户需求

Size Range:DN10 ID through DN200 ID

Materials: 1.4301(304), 1.4404(316L)

Surface Finish:

Mechanically Polished

Internal 20Ra (0.51μm), External 32Ra (0.8μm)

No. 7 - ID & OD

No. 5 - OD only

No. 3 - ID only

No. 1 - unpolished

Customized - upon request

产品描述 Description	尺寸 Size	材质 Material	表面处理方式 Surface	数量 Quantity
D2WK	DN50	1.4301	NO.7	500

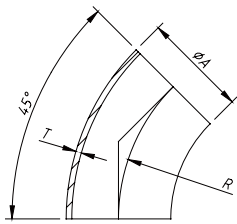
尺寸表注意事项:

Notes For Dimension Tables:

- 所有尺寸均符合 DIN 标准
- 壁厚：DN15-DN50 尺寸的管件制造时壁厚为 1.5 mm
DN65-DN200 的管的尺寸为 2mm 壁厚

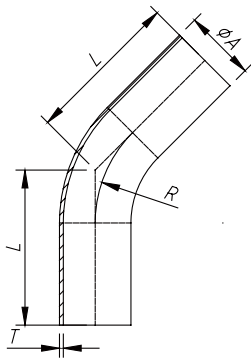
- All Dimensions are according to DIN standard.
- Wall Thickness: Fittings DN15-DN50 sizes are manufactured with 1.5 mm wall thickness. The DN65-DN200 tube size are manufactured with 2mm wall thickness

D2WK 45°焊接短弯头
D2WK Bend 45°



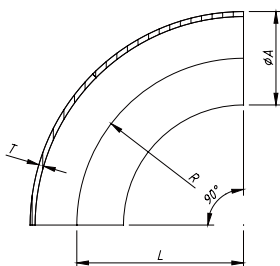
DN	A	R	T
10	12/13	26	1.5
15	18/19	35	1.5
20	22/23	40	1.5
25	28/29	50	1.5
32	34/35	55	1.5
40	40/41	60	1.5
50	52/53	70	1.5
65	70	80	2
80	85	90	2
100	104	100	2
125	129	187.5	2
150	154	225	2
200	204	300	2

4DL2WS 5°焊接长弯头
DL2WS Expanding Bend 45°



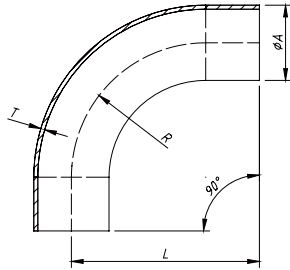
DN	A	R	L	T
10	12/13	26	35.8	1.5
15	18/19	35	39.5	1.5
20	22/23	40	41.6	1.5
25	28/29	50	60.7	1.5
32	34/35	55	62.8	1.5
40	40/41	60	64.9	1.5
50	52/53	70	69	1.5
65	70	80	73	2
80	85	90	92.3	2
100	104	100	98.4	2
125	129	187.5	135.2	2

D2WCL 90°焊接短弯头
D2WCL Bend 90°



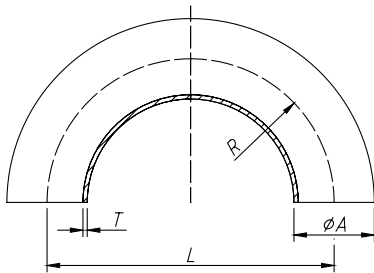
DN	A	R	L	T
10	12/13	26	26	1.5
15	18/19	35	35	1.5
20	22/23	40	40	1.5
25	28/29	50	50	1.5
32	34/35	55	55	1.5
40	40/41	60	60	1.5
50	52/53	70	70	1.5
65	70	80	80	2
80	85	90	90	2
100	104	100	100	2
125	129	187.5	187.5	2
150	154	225	225	2
200	204	300	300	2

DL2WS 90°焊接长弯头
DL2WS EXPANDING Bend 90°



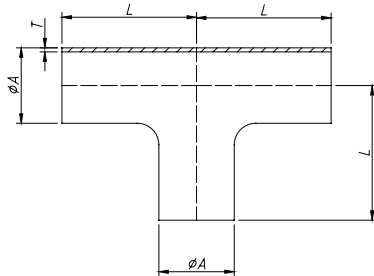
DN	A	R	L	T
10	12/13	26	38	1.5
15	18/19	35	47	1.5
20	22/23	40	52	1.5
25	28/29	50	70	1.5
32	34/35	55	78	1.5
40	40/41	60	85	1.5
50	52/53	70	97	1.5
65	70	80	110	2
80	85	90	118	2
100	104	100	140	2
125	129	187.5	245	2

D3WS 180°焊接弯头
D3WS Bend 180°



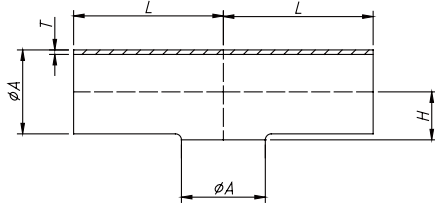
DN	A	R	L	T
20	22/23	40	80	1.5
25	28/29	50	100	1.5
32	34/35	55	110	1.5
40	40/41	60	120	1.5
50	52/53	70	140	1.5
65	70	80	160	2
80	85	90	180	2
100	104	100	200	2
125	129	187.5	375	2
150	154	225	450	2

D7W 焊接等径三通
D7W Tee with straight- end



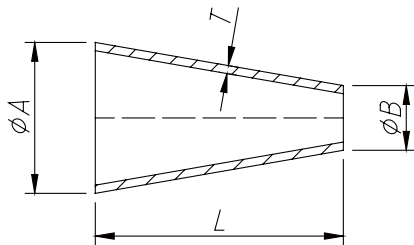
DN	A	L	T
10	12/13	35	1.5
15	18/19	35	1.5
20	22/23	40	1.5
25	28/29	50	1.5
32	34/35	55	1.5
40	40/41	60	1.5
50	52/53	70	1.5
65	70	80	2
80	85	90	2
100	104	100	2
125	129	187.5	2
150	154	225	2
200	204	300	2

DL7WWW 焊接平口三通
DL7WWW Tee without straight- end

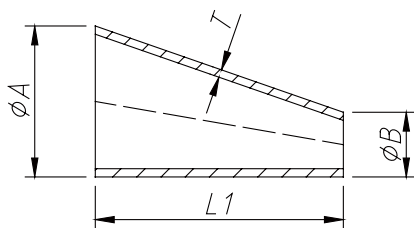


DN	A	H	L	T
10	12/13	9	35	1.5
15	18/19	11	35	1.5
20	22/23	13	40	1.5
25	28/29	16	50	1.5
32	34/35	19.5	55	1.5
40	40/41	23	60	1.5
50	52/53	30	70	1.5
65	70	40	80	2
80	85	47.5	90	2
100	104	58	100	2
125	129	74	187.5	2
150	154	90	225	2
200	204	115	300	2

DL31/32 焊接同心大小头 / 偏心大小头
DL31/32 Concentric/Eccentric reducer



同心大小头
Concentric reducer DL31

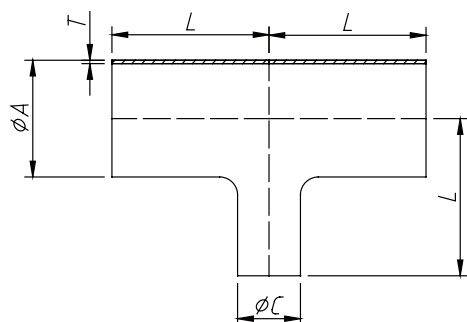


偏心大小头
Eccentric reducer DL32

DN	A	B	L	L1	T
15x10	18	12	11	16.5	1.5
20x10	22	12	18	27.5	1.5
20x15	22	18	7	11	1.5
25x10	28	12	28	44	1.5
25x15	28	18	18	27.5	1.5
25x20	28	22	23	16.5	1.5
32x15	34	18	30	44	1.5
32x20	34	22	22	33	1.5
32x25	34	28	11	14.5	1.5
40x20	40	22	33	49.5	1.5
40x25	40	28	22	33	1.5
40x32	40	34	11	16.5	1.5
50x25	52	28	44	66	1.5
50x32	52	34	33	49.5	1.5
50x40	52	40	22	33	1.5
65x32	70	34	62	92	2
65x40	70	40	51	77	2
65x50	70	52	29	44	2
80x40	85	40	78	97	2
80x50	85	52	56	85	2
80x65	85	70	27	41.2	2
100x50	104	52	90	137.5	2
100x65	104	70	64	93.5	2
100x80	104	85	34	52.5	2
125x65	129	70	96	138	2
125x80	129	85	79	121	2
125x100	129	104	45	68.5	2
150x80	154	85	90	110	2
150x100	154	104	56.5	90	2
150x125	154	129	45	68.5	2
200x150	204	154	68		2

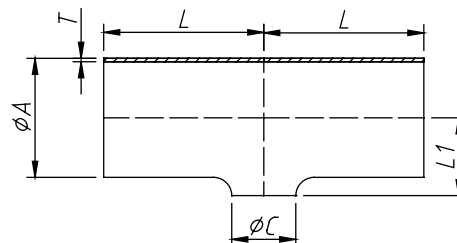
DL7RW 焊接异径三

DL7RW Reducing tee with straight-end



DR7W 焊接异径平口三通

DR7W Reducing tee without straight-end



DN	A	C	L	T
25-20	28	22	50	1.5
32-25	34	28	55	1.5
40-25	40	28	60	1.5
40-32	40	34	60	1.5
50-25	52	28	70	2
50-32	52	34	70	2
50-40	52	40	70	2
65-25	70	28	80	2
65-32	70	34	80	2
65-40	70	40	80	2
65-50	70	52	80	2
80-25	85	28	90	2
80-32	85	34	90	2
80-40	85	40	90	2
80-50	85	52	90	2
80-65	85	70	90	2
100-25	104	28	100	2
100-32	104	34	100	2
100-40	104	40	100	2
100-50	104	52	100	2
100-65	104	70	100	2
100-80	104	85	100	2
125-25	129	28	187.5	2
125-32	129	34	187.5	2
125-40	129	40	187.5	2
125-50	129	52	187.5	2
125-65	129	70	187.5	2
125-80	129	85	187.5	2
125-100	129	104	187.5	2
150-32	154	34	225	2
150-40	154	40	225	2
150-50	154	52	225	2
150-65	154	70	225	2
150-80	154	85	225	2
150-100	154	104	225	2
150-125	154	129	225	2

DN	A	C	L	L1	T
25-20	28	22	50	17	1.5
32-25	34	28	55	19.5	1.5
40-25	40	28	60	22.5	1.5
40-32	40	34	60	22.5	1.5
50-25	52	28	70	29.5	2
50-32	52	34	70	29.5	2
50-40	52	40	70	29.5	2
65-25	70	28	80	39	2
65-32	70	34	80	39	2
65-40	70	40	80	39	2
65-50	70	52	80	39	2
80-25	85	28	90	46.5	2
80-32	85	34	90	46.5	2
80-40	85	40	90	46.5	2
80-50	85	52	90	46.5	2
80-65	85	70	90	46.5	2
100-25	104	28	100	56	2
100-32	104	34	100	56	2
100-40	104	40	100	56	2
100-50	104	52	100	56	2
100-65	104	70	100	56	2
100-80	104	85	100	56	2
125-25	129	28	187.5	68.5	2
125-32	129	34	187.5	68.5	2
125-40	129	40	187.5	68.5	2
125-50	129	52	187.5	68.5	2
125-65	129	70	187.5	68.5	2
125-80	129	85	187.5	68.5	2
125-100	129	104	187.5	68.5	2
150-32	154	34	225	81	2
150-40	154	40	225	81	2
150-50	154	52	225	81	2
150-65	154	70	225	81	2
150-80	154	85	225	81	2
150-100	154	104	225	81	2
150-125	154	129	225	81	2

DIN11852/DIN11850 配件

Tube Hanger Support Recommendations:

普伊的卫生管，弯头，三通，大小头和快装活接套严格按照德国 DIN11850, DIN32676 标准，快装配件的密封圈有不同的材质，三元乙丙橡胶，硅胶，FPM 和聚四氟乙烯。

The hygienic Tubes, bends, Tee, Reducers, And Clamp Union of P&E are strictly manufactured according to Germany DIN11850, DIN32676 Standard, Gaskets for Clamp Fittings are available in several different materials, including EPDM, Silicone, FPM, and PTFE.



DIN fittings meet requirements.

配件 (Fittings) DIN11852/DIN11850 配件规格 (Fittings Specifications....)

尺寸范围：内径 DN10 至内径 DN200
 材质：1.4301 (304) , 1.4404 (316L)
 表面光洁度：
 机械抛光
 内部 20Ra (0.51µm), 外部 32Ra (0.8µm)
 No. 7 - 内外抛光
 No.5- 外表面抛光
 No.3- 内表面抛光
 No.1 . 未抛光
 定制 - 根据客户需求

订购规格 Ordering Specifications....

Size Range: DN10 ID through DN200 ID
 Materials: 1.4301(304), 1.4404(316L)
 Surface Finish:
 Mechanically Polished
 Internal 20Ra (0.51µm), External 32Ra (0.8µm)
 No. 7 - ID & OD
 No. 5 - OD only
 No. 3 - ID only
 No. 1 - unpolished
 Customized - upon request

产品描述 Description	尺寸 Size	材质 Material	表面处理方式 Surface	数量 Quantity
D2WK	DN50	1.4301	NO.7	500

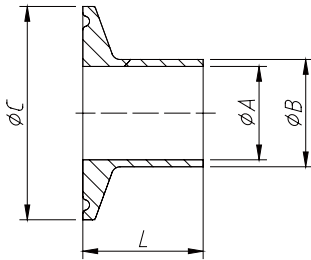
尺寸表注意事项:

Notes For Dimension Tables:

- 所有尺寸均符合 DIN 标准
- 壁厚：DN15-DN50 尺寸的管件制造时壁厚为 1.5 mm
DN65-DN200 的管的尺寸为 2mm 壁厚

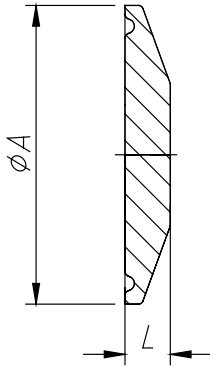
- All Dimensions are according to DIN standard.
- Wall Thickness: Fittings DN15-DN50 sizes are manufactured with 1.5 mm wall thickness. The DN65-DN200 tube size are manufactured with 2mm wall thickness

DIN-14WMP/14MMP/14AMP 快装接头 DIN-14WMP/14MMP/14AMP Ferrule



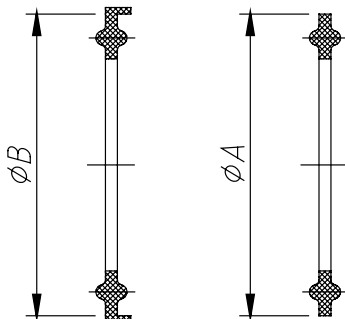
DN	A	B	C	L		
				14WMP	14MMP	14AMP
10	9/10	12/13	34	12.7	21.5	28.6
15	15/16	18/19	34	12.7	21.5	28.6
20	19/20	22/23	34	12.7	21.5	28.6
25	25/26	28/29	50.5	12.7	21.5	28.6
32	31/32	34/35	50.5	12.7	21.5	28.6
40	37/38	40/41	50.5	12.7	21.5	28.6
50	49/50	52/53	64	12.7	21.5	28.6
65	66	70	91	12.7	21.5	28.6
80	81	85	106	12.7	21.5	28.6
100	100	104	119	15.8	21.5	28.6
125	125	129	155	15.8	21.5	28.6
150	150	154	183	15.8	21.5	28.6
200	200	204	233.5	15.8	21.5	28.6

DIN-16AMP 堵头 DIN-16AMP Blank ferrule



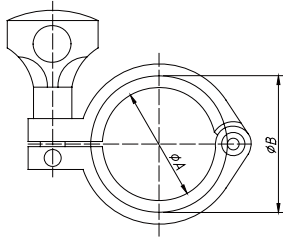
DN	A	L
10	34	6.4
20	34	6.4
25	50.5	6.4
40	50.5	6.4
50	64	6.4
65	91	6.4
80	106	7.9
100	119	7.9
125	155	11.1
150	183	11.1
200	233.5	11.1

DIN-40MP 接头密封圈 DIN-40MP Gasket



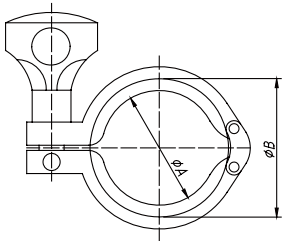
DN	B	A
10	36.2	34
20	36.2	34
25	52.7	50.5
40	52.7	50.5
50	66.2	64
65	93.2	91
80	108.2	106
100	121.2	119
125	157.2	155
150	185.2	183
200	235.7	233.5
250	270.7	268.5
300	321.5	319.3

13MHM 单销卡箍
13MHM Single Hinge Duty Clamp



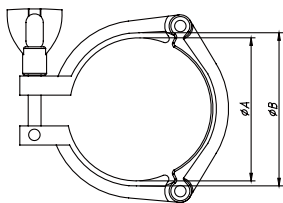
DN	A	B
10	27.8	37
20	27.8	37
25	44.4	53.6
40	44.4	53.6
50	57.8	67
65	84	94.2
80	99	109.2
100	110	122.2
125	144	159
150	172	187
200	222.5	237.5
250	257	272
300	308	323

13MHHM 双销卡箍
13MHHM Single Hinge Duty Clamp



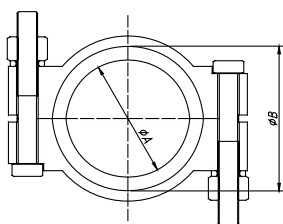
DN	A	B
25	44.4	53.6
40	44.4	53.6
50	57.8	67
65	84	94.2
80	99	109.2
100	110	122.2
125	144	159

13MHHS 三片式卡箍
13MHHS 3-Segment Duty Clamp



DN	A	B
25	44.4	53.6
40	44.4	53.6
50	57.8	67
65	84	94.2
80	99	109.2
100	110	122.2
125	144	159

13MHP 高压卡箍
13MHP High Pressure Clamp



DN	A	B
25	44.4	53.6
40	44.4	53.6
50	57.8	67
65	84	94.2
80	99	109.2
100	110	122.2
125	144	159

UNIONS DIN11851/DIN11850

DIN 活接头是德国标准的卫生级配件，我们提供全系列的 DIN 配件，以满足欧洲进口设备的需求。这些配件用于卫生目的，并提供通过橡胶密封圈所获得的无泄漏连接处。尺寸为 DN15mm 至 DN150mm。

The DIN union is the German standard hygienic fitting. A complete range of DIN fittings are offered in order to meet the needs of imported equipments from Europe. These fittings are used for hygienic purposes and offer a leak-free joint obtained with a rubber seal. Available in sizes DN15mm to DN150mm.



DIN fittings meet requirements.

配件 (FITTINGS) DIN11852/DIN11850 配件规格 (Fittings Specifications....)

尺寸范围：内径 DN10 至内径 DN200
 材质：1.4301 (304) , 1.4404 (316L)
 表面光洁度：
 机械抛光
 内部 20Ra (0.51μm), 外部 32Ra (0.8μm)
 No. 7 - 内外抛光
 No.5- 外表面抛光
 No.3- 内表面抛光
 No.1 . 未抛光
 定制 - 根据客户需求

Size Range:DN10 ID through DN150 ID
 Materials: 1.4301(304), 1.4404(316L)
 Processing:Forging
 Machined by CNC
 Internal 21Ra (0.51μm), External 32Ra (0.8μm)
 Working Pressure Range,(Fully Forged Unions):
 DN 10 - DN 40 Max,Working Pressure 40 Bar @ 20 C
 DN 50 - DN 100 Max,Working pressure 25 Bar @ 20 C
 DN 125 - DN 150 Max,Working pressure 16 Bar @ 20 C

产品描述 Description	尺寸 Size	材质 Material	表面处理方式 Surface	数量 Quantity
DIN-13	DN50	1.4301	Ra≤0.8μm	500

尺寸表注意事项:

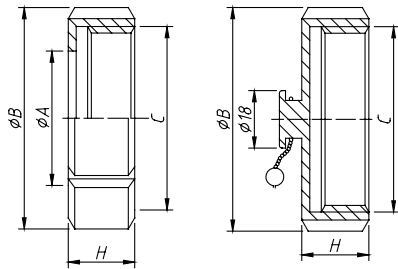
Notes For Dimension Tables:

- 所有尺寸均符合 DIN 标准
- 壁厚：DN15-DN50 尺寸的管件制造时壁厚为 1.5 mm
DN65-DN200 的管的尺寸为 2mm 壁厚

- All Dimensions are according to DIN standard.
- Wall Thickness: Fittings DN15-DN50 sizes are manufactured with 1.5 mm wall thickness. The DN65-DN200 tube size are manufactured with 2mm wall thickness

DIN-13 螺母

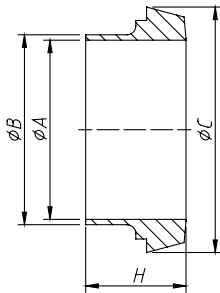
DIN-13 Nut



DN	A	B	C	H
10	19	38	Rd28 × 1/8"	18
15	25	44	Rd34 × 1/8"	18
20	31	54	Rd44 × 1/6"	20
25	36	63	Rd52 × 1/6"	21
32	42.5	70	Rd58 × 1/6"	21
40	49	78	Rd65 × 1/6"	21
50	62	92	Rd78 × 1/6"	22
65	80	112	Rd95 × 1/6"	25
80	94	127	Rd110 × 1/4"	29
100	115	138	Rd130 × 1/4"	31
125	138	178	Rd160 × 1/4"	35
150	164	210	Rd190 × 1/4"	40

DIN-14 长型平接头

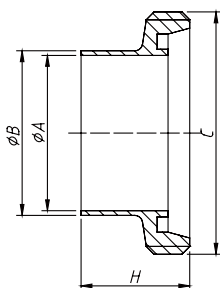
DIN-14 Long Liner



DN	A	B	C	H
10	10	12/13	22.5	17
15	16	18/19	28.5	17
20	20	22/23	36.5	18
25	26	28/29	44	22
32	32	34/35	50	25
40	38	40/41	56	26
50	50	52/53	68.5	28
65	66	70	86	32
80	81	85	100	37
100	100	104	121	44
125	125	129	150	34
150	150	154	176	37

DIN-15 长型云头

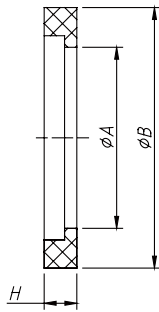
DIN-15 Long Male



DN	A	B	C	H
10	10	12/13	Rd28 × 1/8"	21
15	16	18/19	Rd34 × 1/8"	21
20	20	22/23	Rd44 × 1/6"	24
25	26	28/29	Rd52 × 1/6"	29
32	32	34/35	Rd58 × 1/6"	32
40	38	40/41	Rd65 × 1/6"	33
50	50	52/53	Rd78 × 1/6"	35
65	66	70	Rd95 × 1/6"	40
80	81	85	Rd110 × 1/4"	45
100	100	104	Rd130 × 1/4"	54
125	125	129	Rd160 × 1/4"	46
150	150	154	Rd190 × 1/4"	50

DIN 活接密封圈

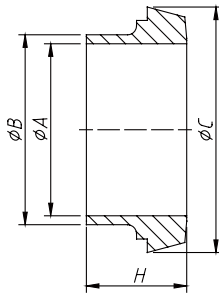
DIN- Union Gasket



DN	A	B	H
10	10.2	20	5
15	16.2	26	5
20	20.2	33	5
25	26.2	40	6
32	32.2	46	6
40	38.2	52	6
50	50.2	64	6
65	66.2	81	6
80	81.2	95	6
100	100.2	114	6
125	125.2	142	7
150	150.2	167	7

DIN-14H 罐用平接头

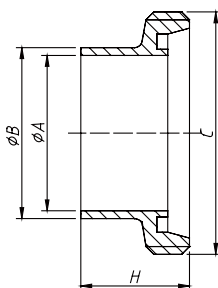
DIN-14H Tank Long Liner (Heavy duty)



DN	A	B	C	H
10	10	15	22.5	17
15	16	21	28.5	17
20	20	25	36.5	18
25	26	31	44	22
32	32	37	50	25
40	38	43	56	26
50	50	55	68.5	28
65	66	72	86	32
80	81	87	100	37
100	100	106	121	44
125	125	132	150	34
150	150	157	176	37

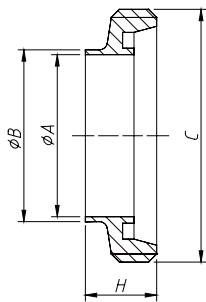
DIN-15H 罐用云头

DIN-15H Tank Long Male (Heavy duty)



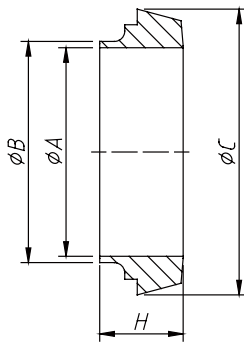
DN	A	B	C	H
10	10	15	Rd28 × 1/8"	21
15	16	21	Rd34 × 1/8"	21
20	20	25	Rd44 × 1/6"	24
25	26	31	Rd52 × 1/6"	29
32	32	37	Rd58 × 1/6"	32
40	38	43	Rd65 × 1/6"	33
50	50	55	Rd78 × 1/6"	35
65	66	72	Rd95 × 1/6"	40
80	81	87	Rd110 × 1/4"	45
100	100	106	Rd130 × 1/4"	54
125	125	132	Rd160 × 1/4"	46
150	150	157	Rd190 × 1/4"	50

DIN-15S 短云头
DIN-15S Short Male



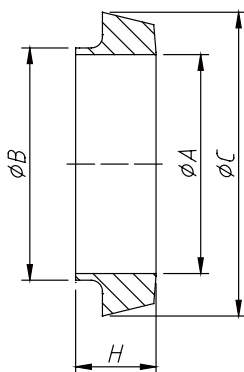
DN	A	B	C	H
15	16	18/19	Rd34 × 1/8"	17
20	20	22/23	Rd44 × 1/6"	19
25	26	28/29	Rd52 × 1/6"	22
32	32	34/35	Rd58 × 1/6"	23
40	38	40/41	Rd65 × 1/6"	21
50	50	52/53	Rd78 × 1/6"	22
65	66	70	Rd95 × 1/6"	25
80	81	85	Rd110 × 1/4"	25
100	100	104	Rd130 × 1/4"	30
125	125	129	Rd160 × 1/4"	33
150	150	154	Rd190 × 1/4"	35

DIN-14S 短阶梯平接头
DIN-14S Short Stepped Liner



DN	A	B	C	H
15	16	18/19	28.5	13
20	20	22/23	36.5	15
25	26	28/29	44	17
32	32	34/35	50	17
40	38	40/41	56	19
50	50	52/53	68.5	20
65	66	70	86	20
80	81	85	100	23
100	100	104	121	26
125	125	129	150	33
150	150	154	176	34

DIN-14SS 短平接头
DIN-14SS Short Liner



DN	A	B	C	H
10	10	12/13	22.5	13
15	16	18/19	28.5	13
20	20	22/23	36.5	13
25	26	28/29	44	15.5
32	32	34/35	50	16
40	38	40/41	56	16
50	50	52/53	68.5	17
65	66	70	86	18
80	81	85	100	17
100	100	104	121	21
125	125	129	150	25
150	150	154	176	30



功能和特点

Features and Benefits

- P&E 提供三种手柄的选择来满足客户的需求
- 更大的尺寸范围——高达 6 英寸
- 可现场维修
- 100% 测试及检验
- 密封圈符合 FDA 认证
- P&E offers 3 handle options to meet customers' requests
- Expanded size range - up to 6 inch
- Field serviceable
- 100% tested and inspected
- Seals meet FDA requirements

技术参数

Technical Data

- 最大压力: 10 bar(DN-25/100)
8 bar(DN-125/150)
- 最小压力: 0.2 bar p.abs
- 工作温度: -10°C到 +120°C (EPDM)
- Max.pressure: 10 bar (DN-25/100)
8 bar (DN-125/150)
- Min.pressure: 0.2 bar p.abs
- Operating temperature: -10°C to +120°C (EPDM)



阀门最小扭矩范围 (Kgf.m)


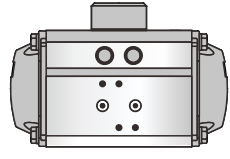
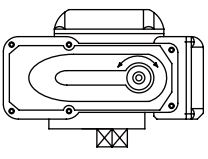
Minimum torque range of the actuator









规格尺寸 Standard size	扭矩值 Torque(Kgf.m)
1.0"	0.3
1.5"	0.4
2.0"	0.5
2.5"	1.2
3.0"	2
4.0"	2.5
5.0"	3
6.0"	3.5
8.0"	4.5






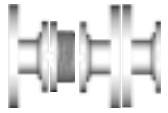




S = 焊接
G = 螺纹
K/M = 活接
FI = 法兰
CI = 快装

S = Welded end
G = Male
K/M = Liner / nut
FI = Flange
CI = Clamp

气动头 / Pneumactical			
不锈钢气动头 Stainless Steel Pneumatic Actuator	铝合金气动头 Aluminium Pneumatic Actuator	电动头 Electric Actuator	
			

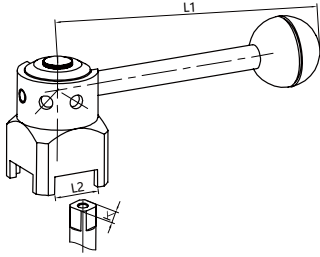
手动手柄 / Manually Operated			
蓝色 A 型 hand lever Blue type A.	黑色 A 型 hand lever Black type A.	蓝色 B 型 hand lever Blue type B.	黑色 B 型 hand lever Black type B.
			
蓝色 C 型 hand lever Blue type C.	不锈钢 A 型 hand lever stainless steel A	不锈钢 B 型 hand lever stainless steel B	不锈钢 hand lever stainless steel
			

连接方式 / Connection Type					
S - S	G - S	G - G	K/M - G	K/M - S	FI (PN10) - G FI - FI (PN10)
					
CI - CI	Intermediate - butterfly Valve				
		S - S			

密封圈 / Seals			
Silicone	EPDM	FKM	HNBR
			

拉杆手柄

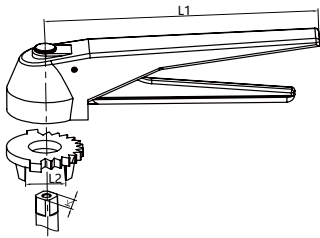
Pulling Handle



Size	L1	L2	K × K
DN10-DN40	126	20.2	8×8
DN50	133	20.2	10×10
DN65	144	22.2	10×10
DN80-DN100	160	22.2	11×11
DN125-DN150	220	22.2	11×11
DN200	284	30.2	14×14

塑料鸭嘴手柄

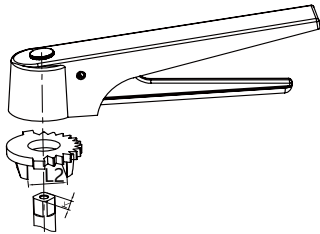
Plastic Multi-Position handle



Size	L1	L2	K × K
DN10-DN40	150	20.2	8×8
DN50-DN65	150	20.2	10×10
DN80-DN100	150	22.2	11×11

不锈钢鸭嘴手柄

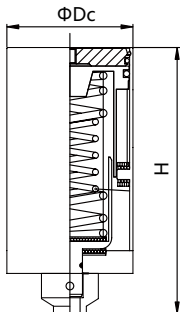
Stainless Steel Multi-Position Handle



Size	L1	L2	K × K
DN15-DN40	155	20.2	8×8
DN50-DN65	155	20.2	10×10
DN80-DN150	155	22.2	11×11
DN200	230	30.2	14×14

不锈钢气动头

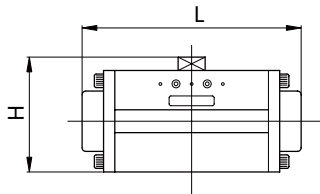
Stainless Steel Pneumatic Actuator



Size	Dc	H	可配蝶阀 match with butterfly valve	可配球阀 match with ball valve
Ø85	85.0	180.5	DN20-DN100	DN20-DN50
Ø108	108	223	DN125-DN150	DN65-DN80
Ø133	133	400	DN200	DN100

铝合金气动头

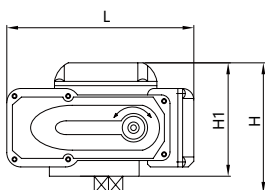
Aluminium Pneumatic Actuator



Size	H	L	可配蝶阀 match with butterfly valve	可配球阀 match with ball valve
AT1	91.0	131.0	DN20-DN40	DN15-DN25
AT2	112.0	185.0	DN50-DN100	DN32-DN50
AT3	128.0	230.0	DN125	DN65-DN80
AT4	154.0	290.0	DN150-DN200	DN100

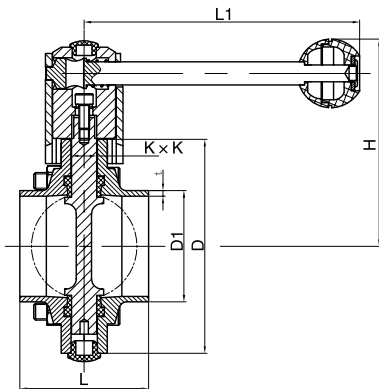
电动装置

Electric Actuator



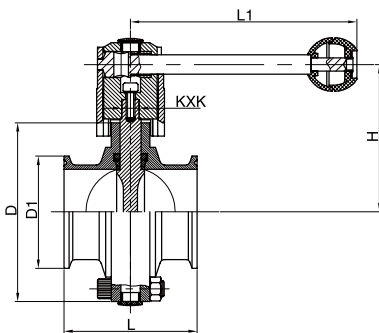
Size	L	H	H1	可配蝶阀 match with butterfly valve	可配球阀 match with ball valve
HL-05	157.5	115.0	103.0	DN20-DN100	DN20-DN50
HL-10	208.0	124.0	115.0	DN125-DN200	DN65-DN80
HL-20	280.0	135.0	109.0		DN100

焊接蝶阀
Welded Butterfly Valve



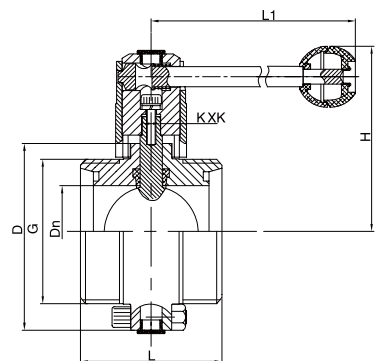
Size	D1		D	L	L1	H	t	KxK
	1	2						
DN10	12	13	78	50	126	86	1.5	8x8
DN15	18	19	78	50	126	86	1.5	8x8
DN20	22	23	78	50	126	86	1.5	8x8
DN25	28	29	78	50	126	86	1.5	8x8
DN32	34	35	78	50	126	90	1.5	8x8
DN40	40	41	90	50	126	92	1.5	8x8
DN50	52	53	106	52	133	104	1.5	10x10
DN65	70	-	124	56	144	113	2.0	10x10
DN80	85	-	139	60	160	123.5	2.0	11x11
DN100	104	-	159	64	160	133.5	2.0	11x11
DN125	129	-	185	80	220	146.5	2.0	11x11
DN150	154	-	215	90	220	161.5	2.0	11x11
DN200	204	-	285	90	284	199	2.0	14x14

快装蝶阀
Clamped Butterfly Valve



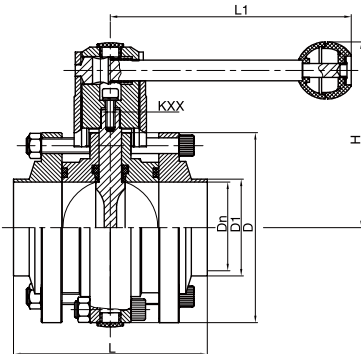
Size	D1	D	L	L1	H	KxK
DN10	34	78	66	126	86	8x8
DN15	34	78	66	126	86	8x8
DN20	34	78	66	126	86	8x8
DN25	50.5	78	66	126	86	8x8
DN32	50.5	78	66	126	86	8x8
DN40	50.5	86	70	126	90	8x8
DN50	64	102	76	133	102	10x10
DN65	91	120	80	144	111	10x10
DN80	106	134	84	160	121	11x11
DN100	119	154	104	160	131	11x11
DN125	144.5	185	122	220	146.5	11x11
DN125	155	185	122	220	146.5	11x11
DN150	167	215	146	220	161.5	11x11
DN150	183	215	146	220	161.5	11x11
DN200	217.4	285	166	220	199	14x14
DN200	233.5	285	166	220	199	14x14

外螺纹蝶阀
Threaded Butterfly Valve



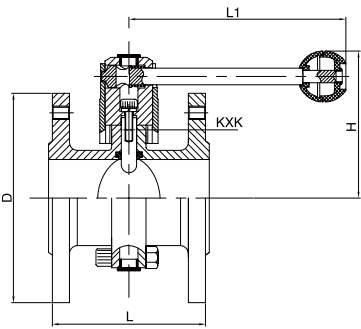
Size	DN	D	L	L1	H	G	KxK
DN10	10	78	66	126	86	RD28x1/8	8x8
DN15	15	78	66	126	86	RD34x1/8	8x8
DN20	20	78	66	126	86	RD44x1/6	8x8
DN25	25	78	66	126	86	RD52x1/6	8x8
DN32	32	86	70	126	90	RD58x1/6	8x8
DN40	40	90	74	126	92	RD65x1/6	8x8
DN50	50	106	76	133	104	RD78x1/6	10x10
DN65	65	124	80	144	113	RD95x1/6	10x10
DN80	80	139	84	160	123.5	RD110x1/4	11x11
DN100	100	159	104	160	133.5	RD130x1/4	11x11
DN125	125	185	130	220	146.5	RD160x1/4	11x11
DN150	150	215	150	220	161.5	RD190x1/4	11x11

三片式蝶阀
Three-Piece Butterfly Valve



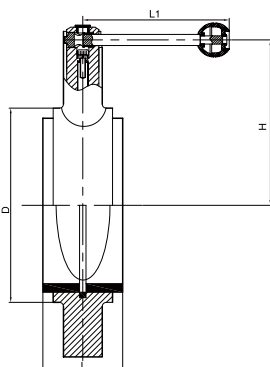
Size	D1		D	L	L1	H	t	K×K
	1	2						
DN10	12	13	78	100	126	86	1.5	8×8
DN15	18	19	78	100	126	86	1.5	8×8
DN20	22	23	78	100	126	86	1.5	8×8
DN25	28	29	78	100	126	86	1.5	8×8
DN32	34	35	78	100	126	86	1.5	8×8
DN40	40	41	90	100	126	92	1.5	8×8
DN50	52	53	102	104	133	102	1.5	10×10
DN65	70	-	120	112	144	111	2.0	10×10
DN80	85	-	134	120	160	121	2.0	11×11
DN100	104	-	154	128	160	131	2.0	11×11
DN125	129	-	185	160	220	146.5	2.0	11×11
DN150	154	-	215	180	220	161.5	2.0	11×11
DN200	204	-	285	180	284	199	2.0	14×14

法兰蝶阀
Flanged Butterfly Valve



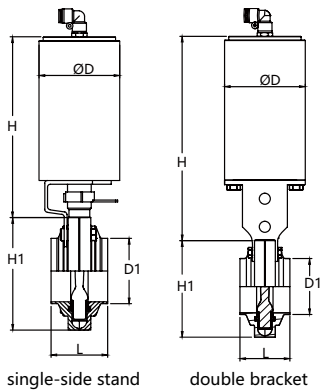
Size	D	L	L1	H	K×K
DN25	115	94	126	80	8×8vv
DN32	135	102	126	80	8×8
DN40	145	110	126	86	8×8
DN50	160	112	133	106	10×10
DN65	180	124	144	115	10×10
DN80	195	130	160	122	11×11
DN100	215	152	160	132	11×11
DN125	245	178	220	147	11×11
DN150	280	198	220	162	11×11

对夹式蝶阀
wafer butterfly valve



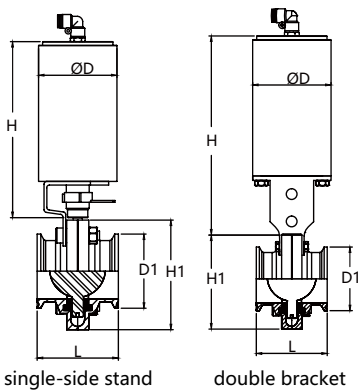
Size	D	L	L1	H
DN40	85	38	124	122
DN50	95	39	130	127
DN65	107	42	130	133
DN80	125	43	140	142
DN100	156	46	158	158
DN125	180	55	220	160
DN150	205	55	220	170
DN200	250	60	280	210

不锈钢气动焊接蝶阀
Pneumatic Weld Butterfly Valve



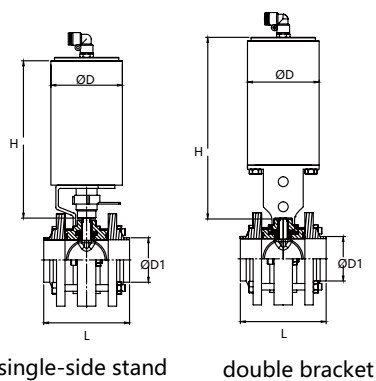
Size	D1		L	D	H1	H
	1	2				
DN25	28	29	50	85	72	172.5
DN40	40	41	50	85	78	172.5
DN50	52	53	52	85	101	172.5
DN65	70		56	85	115	172.5
DN80	85		60	85	130	172.5
DN100	104		64	85	162	172.5

不锈钢气动快装蝶阀
Pneumatic Clamp Butterfly Valve



Size	D1		L	D	H	H1
	1	2				
DN25	28	29	66	85	172.5	72
DN40	40	41	70	85	172.5	78
DN50	52	53	76	85	172.5	101
DN65	70		80	85	172.5	115
DN80	85		84	85	172.5	130
DN100	104		104	85	172.5	162

不锈钢气动三片式法兰蝶阀
Pneumatic Three-piece Butterfly Valve



Size	D1		L	D	H
	1	2			
DN25	28	29	102	85	172.5
DN40	40	41	104	85	172.5
DN50	52	53	107	85	172.5
DN65	70		106	85	172.5
DN80	85		103	85	172.5
DN100	104		115	85	172.5

操作原理

Operating Principle

· 当流体的压力大于弹簧的抽吸压力时，阀门打开。当两种压力相当时，阀门关闭。
更强大的压差也可以使阀门关闭。

· The valve opens when the pressure of the fluid exceeds the pressure exerted by the pump spring. When the two pressures are equalised, the valve closes. A stronger counter-pressure allows the valve to close.



材质

Materials

- 外部构造和轴：AISI 304/ AISI 316L
- 弹簧：AISI 304/ AISI 316L
- 垫圈：EPDM 根据 FDA 117.2600
- 表面处理：Ra ≤ 0.8 μm
- Casing/shaft: AISI 304/ AISI 316L
- Spring: AISI 304/ AISI 316L
- Seal: EPDM according to FDA 177.2600
- Surface finishing: Ra≤0.8μm



选项

Options

- 垫圈有 NBR, FPM (氟橡胶) 或 PTFE, 所有都根据 FDA117.2600
- 连接：焊接, 螺纹, 卡箍, DIN, SMS RJT, IDF, ISO, 3A
- Seals in NBR, FPM (Viton) or PTFE. All of them according to FDA 177.2600
- Connections: weld, thread, clamp, DIN, SMS, RJT, IDF, ISO, 3A

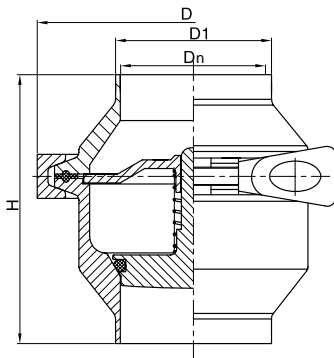
技术规范

Technical specifications

- 最大压力：10 bar
- 开启压力：0.3bar(DN-25)、0.2bar(DN-32/40)、0.1bar(DN-50/100)
- 工作温度：-10°C到 +120°C (EPDM)
- Max. pressure: 10 bar
- Opening pressure: 0.3 bar (DN-25)、0.2 bar (DN-32/40)、0.1 bar (DN-50/100)
- Working temperature: -10°C to +120°C (EPDM)

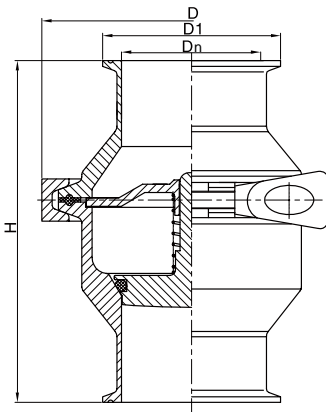


焊接止回阀 Welded Check Valve



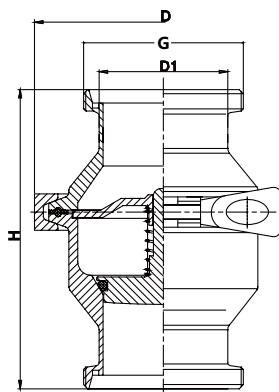
Size	Dn	H	D	D1
DN15	15	97	87.0	18/19
DN20	19	84	87.0	22/23
DN25	25	80	87.0	28/29
DN40	37	82	87.0	40/41
DN50	49	87	100.0	52/53
DN65	66	99	115.0	70.0
DN80	81	99	128.0	85.0
DN100	100	100	164.0	104.0

快装止回阀 Clamped Check Valve



Size	Dn	H	D	D1
DN15	15	97	87.0	34.0
DN20	19	84	87.0	34.0
DN25	25	105.4	87.0	50.5
DN40	37	107.4	87.0	50.5
DN50	49	112.4	100.0	64.0
DN65	66	124.4	115.0	91.0
DN80	81	124.4	128.0	106.0
DN100	100	131.6	164.0	119.0

螺纹止回阀 Threaded Check Valve



Size	H	D1		D	G(RD)
DN15	115	18/19	19	87	33.5×1/8
DN20	119	22/23	23	87	43.5×1/6
DN25	125	28/29	29	87	51.5×1/6
DN40	123	40/41	41	87	64.5×1/6
DN50	135	52/53	53	100	77.5×1/6
DN65	145	70	-	115	94.5×1/6
DN80	151	85	-	128	109.3×1/4
DN100	170	104	-	164	129.3×1/4

信息

Information

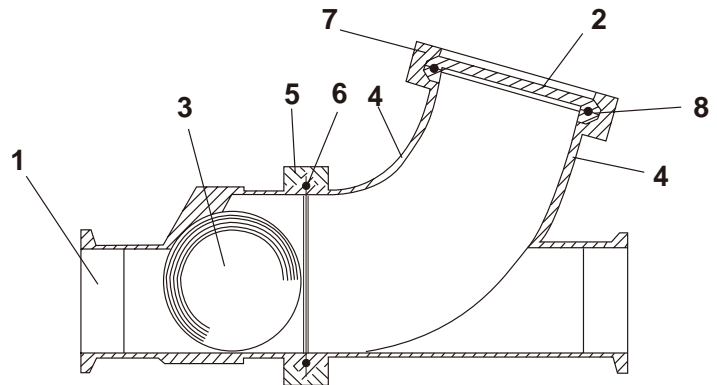
- 经过精密加工的阀座可确保完全关闭
- 两片式结构，在安装过程中更容易对齐
- 可根据需求提供其他连接方式
- Buna-N 和 Viton® 人造橡胶
- 内外抛光
- 所有金属接触面材质为不锈钢 T316L
- 尺寸范围从 1 1/2" 至 3"
- Buna 材质的球 & 密封圈

- Precision machined seat to ensure positive shut-off
- Two-piece construction for easier alignment during installation
- Other connections available upon request
- Buna-N and Viton® elastomers
- Polished ID and OD
- All metal contact surfaces of T316L stainless steel
- Sizes range from 1 1/2" through 3"
- Buna Ball & Gaskets Standard

零件分解

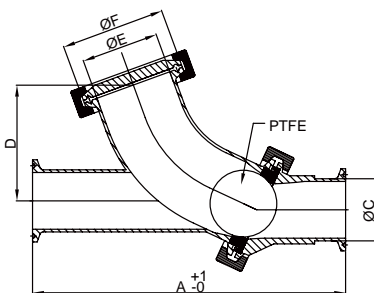
Parts Breakdown

- | | |
|------------------|--------------------------|
| 1. 阀座 - (快装) | 1. Seat body - (Clamp) |
| 1W. 阀座 - (焊接) | 1W. Seat body - (Weld) |
| 2. 堵头 | 2. Cap |
| 3B. 球 -(丁腈橡胶) | 3B. Ball-(Buna-N) |
| 3V. 球 -(氟橡胶) | 3V. Ball-(Viton®) |
| 3P. 球 -(聚四氟乙烯橡胶) | 3P. Ball-(PTFE) |
| 4. 角体 | 4. Angle body |
| 4W. 角体 - (焊接) | 4W. Angle body-(Weld) |
| 5. 卡箍夹 | 5. Body clamp |
| 6B. 阀体垫圈 -(丁腈橡胶) | 6B. Body gasket-(Buna-N) |
| 6V. 阀体垫圈 -(氟橡胶) | 6V. Body gasket-(Viton®) |
| 7. 堵头卡箍 | 7. Cap clamp |
| 8B. 堵头垫圈 -(丁腈橡胶) | 8B. Cap gasket-(Buna-N) |
| 8V. 堵头垫圈 -(氟橡胶) | 8V. Cap gasket-(Viton®) |



Y 型带球止回阀

Y Ball Check Valve



Size	A	C	D	E	F
DN40	190.5	38.1	83.8	47.5	64
DN50	215.9	50.8	99	59.3	77.5
DN65	254	63.5	114.3	72.9	91
DN80	292.1	76.2	134.6	97.4	119

应用

Applications

无论是手动还是自动操作球阀，主要应用于加工饮料，酿酒，炼油，化妆品和化学工业。

It Is Widely Used In Beverage, Brewing, Oil Refinery, Cosmetic, Chemical Industries.

设计和特点

Design and features




- 无需维护
 - 比其他的阀门更小更轻
 - 操纵扭矩小
 - 垫圈根据 PTFE FDA 177.2600
 - 无论流体是何种流向，手柄可以安装在侧边的阀体上
 - 无论是何种连接方式，阀体都可进行更换，而不会改变阀门的总长度
 - 连接：螺纹，焊接，卡箍，法兰，DIN，SMS RJT FIL
 - 可装配气动执行器，电动执行器
 - 物料接触部位 AISI 304/316L，其它部位 AISI 304
 - 阀门类型：直通球阀，三片式球阀，三通球阀
 - 球芯类型：T 型、L 型、直通型
 - 材质：AISI 304、316L
- Free of maintenances
 - Compact and portable
 - Small operating torque
 - Gasket complies with PTFE FDA 177.2600
 - Hand lever can be installed on the side of the valve body, no matter what direction it flows.
 - Connection ends: thread, clamp, weld, flange, DIN, SMS, RJT, FIL.
 - It can match with pneumatic and electric actuators.
 - Material for the part contacted with media is AISI 304/316L. Other part is AISI 304
 - Type of valves: One-way ball valve, three-piece ball valve, Three-way ball valve
 - Type of cores: T type, L type, direct type.
 - Material: AISI 304, 316L

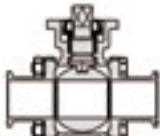
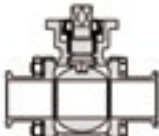
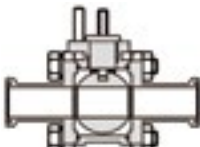
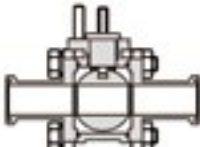
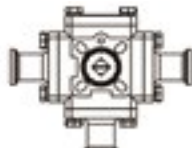
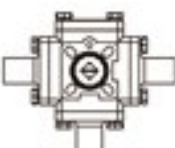




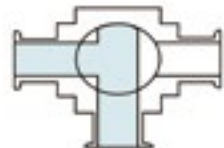



Modular system



- S = 焊接
- G = 螺纹
- K/M = 活接
- Fl = 法兰
- Cl = 快装

- S = Welded end
- G = Male
- K/M = Liner / nut
- Fl = Flange
- Cl = Clamp

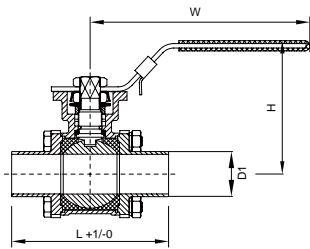
气动头 / Pneumactical		
140.5x60.5	158.5x83	210.5x94.5
		

阀体结构 / Body Configuration			
Cl-Cl	S-S	Cl-Cl	S-S
			
Cl-Cl	S-S		
			

球类型 / Ball Type			
"T" Port			
			
"L" Port			
			

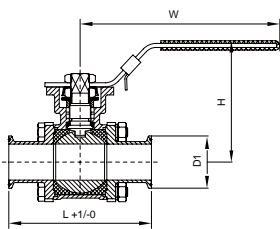
密封方式 / Sealing Material	
Encapsulated	Standard
	

焊接高平台球阀
Weld Ball Valve With High Platform



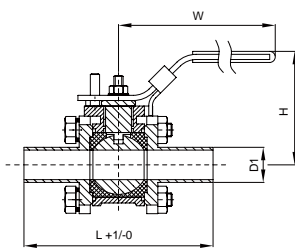
Size	D1	L	W	H
DN15	18/19	90	130	70
DN20	22/23	102.2	125	80
DN25	28/29	115.3	166	90
DN40	40/41	137.6	193	105
DN50	52/53	156	212	112
DN65	70	171	370	174
DN80	85	196.7	370	185
DN100	104	242	400	205

快装高平台球阀
Clamp Ball Valve With High Platform



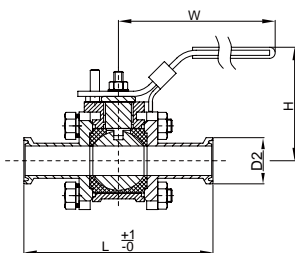
Size	D2	L	W	H
DN15	34	90	130	70
DN20	34	102.2	125	80
DN25	50.5	115.3	166	90
DN40	50.5	137.6	193	105
DN50	64	156	212	112
DN65	91	171	370	174
DN80	106	196.7	370	185
DN100	119	242	400	205

焊接低平台球阀
Weld Ball Valve With Low Platform



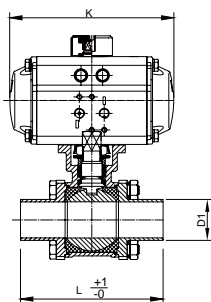
Size	D1	L	W	H
DN15	18/19	91	130	62
DN20	22/23	102.5	130	68.5
DN25	28/29	114.8	176	74.5
DN32	34/35	125	170	74.5
DN40	40/41	137.3	226	98
DN50	52/53	156.4	226	100
DN65	70	171	326	123.5
DN80	85	196.7	325	150
DN100	104	242	332	159

快装低平台球阀
Clamp Ball Valve With Low Platform



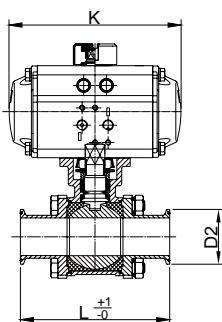
Size	D2	L	W	H
DN15	34	91	130	62
DN20	34	102.5	130	68.5
DN25	50.5	114.8	176	74.5
DN32	50.5	125	170	74.5
DN40	50.5	137.3	226	98
DN50	64	156.4	226	100
DN65	91	171	326	123.5
DN80	106	196.7	325	150
DN100	119	242	332	159

气动焊接球阀
Pneumatic Weld Ball Valve



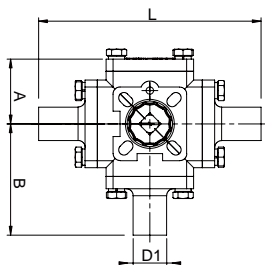
Size	D1	L	K
DN15	18/19	90	130
DN20	22/23	102.2	125
DN25	28/29	115.3	166
DN40	40/41	137.6	193
DN50	52/53	156	212
DN65	70	171	370
DN80	85	196.7	370
DN100	104	242	400

气动快装球阀
Pneumatic Clamp Ball Valve



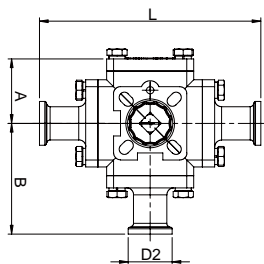
Size	D2	L	K
DN15	34	90	130
DN20	34	102.2	125
DN25	50.5	115.3	166
DN40	50.5	137.6	193
DN50	64	156	212
DN65	91	171	370
DN80	106	196.7	370
DN100	119	242	400

焊接三通球阀
Sanitary Three-way Weld Ball Valve



Size	D1	A	B	L
DN15	18/19	34	59	118
DN20	22/23	37	63.5	127
DN25	28/29	41	76.3	152.6
DN40	40/41	52.5	87.5	175
DN50	52/53	65	100.7	201.4
DN65	70	75	113.85	227.7
DN80	85	95	130.3	260.6
DN100	104	120	160	320

快装三通球阀
Sanitary Three-way Clamp Ball Valve



Size	D2	A	B	L
DN15	34	34	59	118
DN20	34	37	63.5	127
DN25	50.5	41	76.3	152.6
DN40	50.5	52.5	87.5	175
DN50	64	65	100.7	201.4
DN65	91	75	113.85	227.7
DN80	106	95	130.3	260.6
DN100	119	120	160	320

应用

Applications

- 隔膜阀，手动或气动操作，专门应用于制药工业中的卫生和无菌过程。
- 该阀门非常适用于流体控制和开 / 关的任务。
- Diaphragm valves, manually or pneumatically operated, are specifically designed for use on hygienic and aseptic processes in the pharmaceutical industries.
- The valve is excellent for flow control as well as for open/close duties.



工作原理

Operating Principles

- 膜片提供阀体密封和阀座密封。里面没有路径通到外部环境，所以该阀门适用于无菌过程。
- 当阀门关闭时，支撑膜片的压力垫朝阀体上的密封面移动。当压力板移动时，膜片弯曲，被迫推向阀体中心的阀座区域，因此关闭了通向阀体的流体路径。
- 阀体和压力板的相互关系，防止了膜片的挤压。
- 该阀门可以手动也可以气动操作，也可以通过控制器和电磁阀控制。
- The diaphragm provides the body seal as well as the seat seal. There are no paths to the outside environment and as such the valve is suitable for aseptic processes.
- As the valve is closed, a pressure pad which supports the diaphragm moves towards the sealing face on the body. As the pressure plate move, the diaphragm flexes and will be forced down onto the seat area in the centre of the body thus closing off the flow path through the body.
- The inter-relationship of body to the pressure plate prevents over compression of the diaphragm.
- The valve can be actuated either manually or pneumatically and controlled by control tops and solenoid valves.





技术规格

Technical specifications

- 最大压力：10bar (145 PSI)
- 最大工作温度：-10°C +120°C (EPDM) -14 ° F+248 ° F (+140 ° C (SIP, 30) 284 ° F)
- Max. pressure: 10 BAR(145PSI)
- Working temperature: -10 °C to +120 °C (EPDM) -14 °F to 248 °F (+140 °C (SIP, max. 30 min) 284 °F)

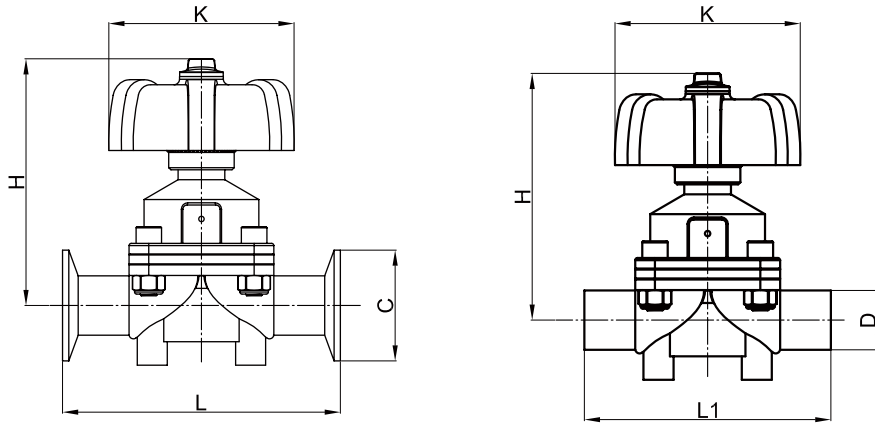
执行器 / Actuator			
01	02	03	04
复合材料 Composite material	复合材料 Composite material	不锈钢材料 Stainless steel	不锈钢材料 Stainless steel
			

隔膜片 / Diaphragms	
EPDM 隔膜片 Elastomer diaphragms EPDM	PTFE 隔膜片 PTFE/EPDM,PTFE/FPM PTFE diaphragms PTFE/EPDM, PTFE/FPM
	

阀体种类 / Valve Body Versions			
直通型 / Straight-through Type	T 型 / T-type	多通道 / Multi-way	SAP / GMP
			

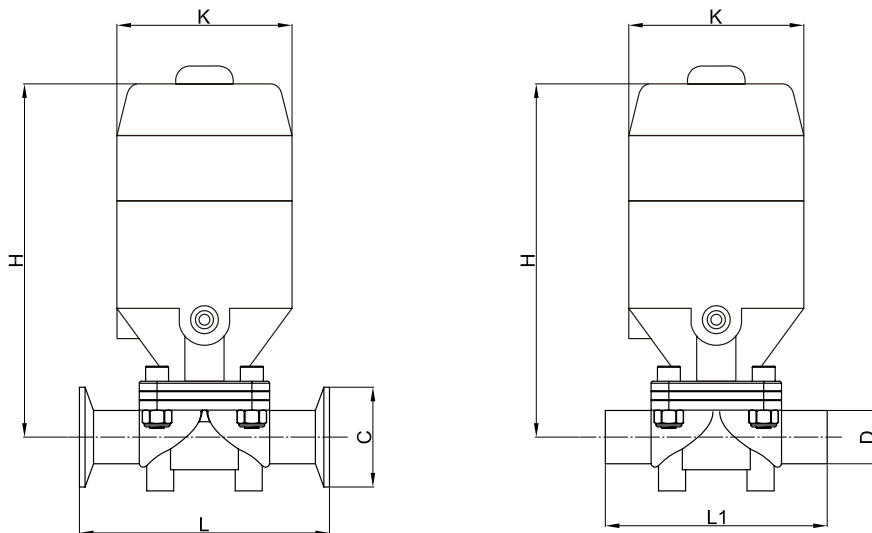
连接方式 / Connections		
卡箍 / Clamp	活接 / Unions	法兰 / Flange
		

手动隔膜阀
Manual diaphragm valve



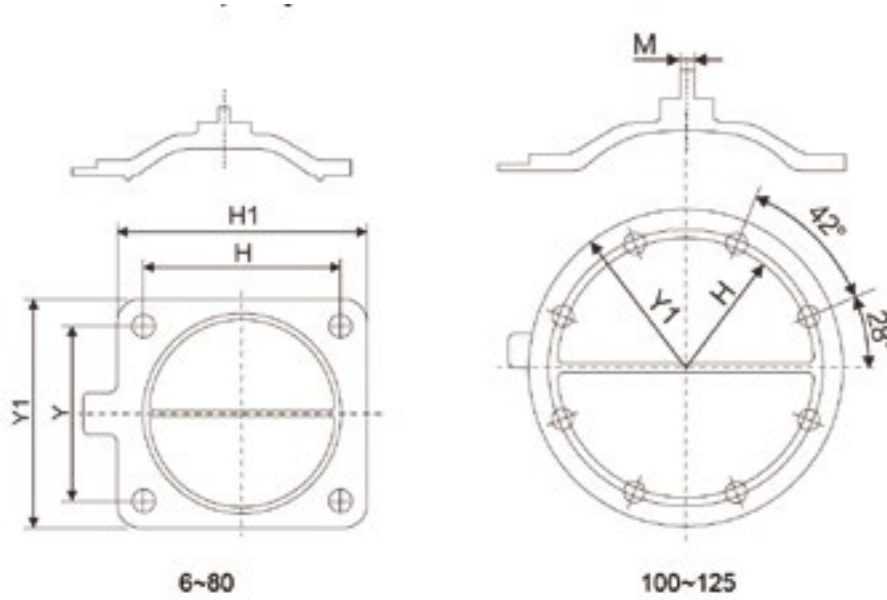
Size	L	L1	K	D	C
DN15	108	102	65	18/19	34
DN20	126	120	87	22/23	34
DN25	126	120	87	28/29	50.5
DN40	160	140	104	40/41	50.5
DN50	193	150	114	52/53	64

气动隔膜阀
Pneumatic diaphragm valve



Size	L	L1	K	D	C
DN15	108	125	62	18/19	34
DN20	126	152	72	22/23	34
DN25	126	154	72	28/29	50.5
DN40	160	193	92	40/41	50.5
DN50	193	225	114	52/53	64

隔膜片
Manual diaphragm valve



Size	H×Y	H×Y1	M	K
6	22×22	32×32	9.5	5
8	22×22	32×32	9.5	5
10	22×22	32×32	9.5	5
15	37×32	50×46	M4	6
20	57×47	70×65	M6	9
25	57×47	70×65	M6	9
32	70×64	97×89	M6	11
40	70×64	97×89	M6	11
50	85×75	110×103	M6	13
65	105×91	134×126	M8	15
70	127×114	185×156	M8	15
80	127×114	185×156	M8	15
100	194×8	135	M8	15
125	194×8	135	M8	15



无菌隔膜罐底阀

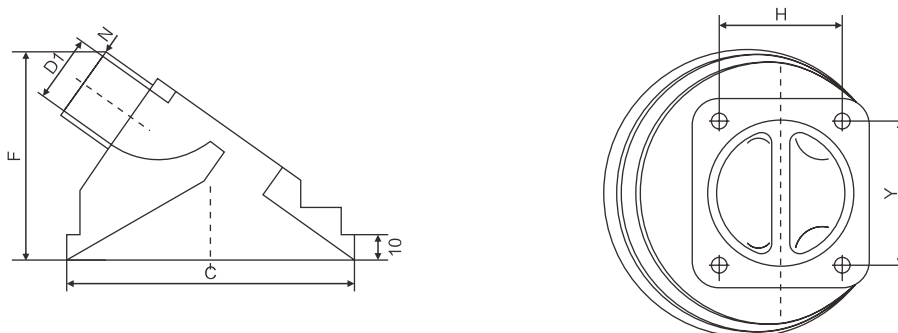
罐底阀应用于生物制药、食品精细化等行业的配料、容器放料使用，解决了生产过程中罐底阀死角问题，罐底物料充分排放前的灭菌难题，满足生物制药工艺要求，罐底阀连接为焊接式、快装式两种。

安装使用 45 度出料可使容器内物料排放干净，满足 GMP 要求，是管道卫生级洁净阀门。

Aseptic Diaphragm Tank Bottom Valve

Tank bottom valve is applied to proportioning vessel for emptying in biological pharmacy, food and fine chemical engineering etc. When stirrer is started, bottom material can be stirred evenly together with water. Connection mode includes welded type and flange type.

Installation and use of 45° material discharge can ensure that material inside vessel can be discharged completely, conforming to GMP requirements. It is sanitary valve for pipelines.



DN	C	F	D1	N	D2	D3
15	70	40	13	1.5	19	25.2
20	105	64	16	1.5	43.5	50.5
25	105	64	22	1.5	43.5	50.5
32	140	85	29	1.5	43.5	50.5
40	140	85	35	1.5	43.5	50.5
50	160	94	49	1.5	56.5	64
65	195	110	59	2	70.5	77.5
70	238	120	72	2	83.5	91
80	238	120	85	2	97	106



径向罐底隔膜阀

Radial Tank Bottom Diaphragm Valve

特点

P&E 系列阀门为制药和生物制药流体处理提供高性能的液流控制。利用水力优化设计，P&E 兼备了平板式隔膜阀的固有可清洗性和柱塞式阀的最佳特点，这种特性的兼备确保了 P&E 提供低液流阻力与已验证卫生设计的独特组合。P&E 结构坚固并由耐用材料制成，确保在要求的工况状态下有长的服务寿命。

Characteristic

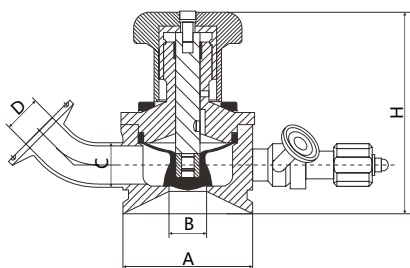
P&E series valves provide high performance liquid flow control for pharmaceutical and biopharmaceutical fluid treatment. Using hydraulic optimization design, P&E combines the inherent cleanability of flat diaphragm valve and the best characteristics of plug valve. The characteristics of both ensures that the P&E provides lowflow resistance and has a unique combination of health design verification.The P&E structure is made of durable material and ensures long service life under the requirement of working condition.

生物制药应用的卫生设计

P&E 具有独特的专利设计，即使用卡箍固定阀膜片在阀体和驱动头之间的结构。所有驱动头的运动部件与所处理液体隔离，并且大部分规格的阀不需要使用工具拆卸或维护。阀腔和管道连接是无盲段自排尽的。与传统平析式隔膜阀相比，使用 P&E 在一个系统中阀门量最多可减少 30%。这就可导致整个管道系统液体残留量的减少。

Hygienic Design Of Biological Pharmaceutical Application

P&E has a unique patented design, that is, the use of clamp fixed valve diaphragm in the valve body and the driving head of the structure. All moving parts of the drive head are isolated from the liquid treatment, and most of the specifications of the valve do not require the use of tools for disassembly or maintenance. Valve cavity and pipe connection is no blind segment from the exhaust. Compared with the traditional flat diaphragm valve, the use of P&E in a system in the amount of valve can be reduced by up to 30%. This leads to a reduction in the amount of liquid remaining in the pipeline system.



Size	A	B	C	D	H
20	75	22	19	16	120
25	75	22	25.4	22.1	120
32	85	35	32	29	135
40	85	35	38	35	135
50	110	49	51	49	135

阀门设计要点

Valve Design Points

- 该阀门无死角设计
- 该阀门采用四氟隔膜片，确保药液的洁净
- 该阀门内部设有锥度，取样后使液体完全排放，无残留
- All the valve without dead corner design
- All the valve with PTFE diaphragm, ensure clean liquid
- The valve is arranged inside the taper, after sampling the liquid completely discharged, no residue.



材质

Material

- 阀体：316L(1.4404)
- 阀门顶部：304 (1.4301)
- 密封件：PTFE (白)
- Valve body: AISI 316L (1.4404)
- Valve head: AISI 304(1.4301)
- Membrane: PTFE (white)



控制装置

Operating Devices

- 气动 -PEX
- 智能控制头
- Manual-PEX
- Automatic-Compact pneumatic actuator

压力

Pressure (max.)




- 工作压力：6 bar
- 橡胶塞：3 bar
- 堵头：10 bar
- Working pressure: 6 bar
- Rubber plug 3 bar
- Steel plug 10 bar

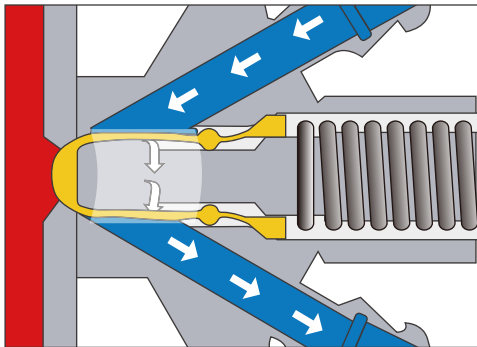
工作温度

Temperature (max.)

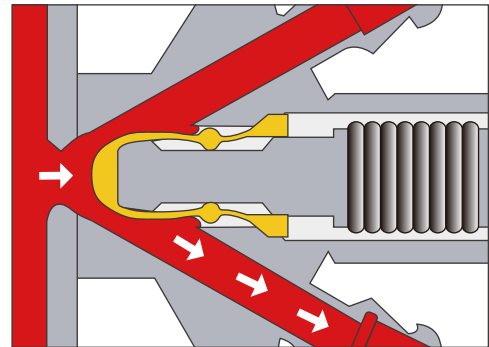
- 灭菌温度：121℃ / 250°F
- Sterilization temp.: 121℃ / 250°F



阀体连接 / Body Configuration		
焊接 / Weld connection	快装 / Clamp connection	法兰 / KF- connection
		



关闭阀门，灭菌消毒操作
closing valve, sterilization operating structure



开启阀门，取样操作
opening valve, sampling operating structure

取样 Sampling

- 打开阀，取样；
- 取样完成后，关闭阀；
- 用蒸汽清洁阀。请参见“灭菌”
- Open valve, sampling;
- After the sampling is completed, close the valve;
- Steam cleaning valve. Please refer to "sterilization"

灭菌 Sterilization

- 将蒸汽软管连接到阀的上部连接管上；
- 打开蒸汽源，让它流过阀以进行灭菌。在 121°C 下持续 1 分钟；
- 关闭蒸汽源；
- 移走蒸汽软管，把一个无菌橡胶塞或无菌蒙板安装到上部连接管上。
- Connect the steam hose to the upper part of the valve;
- Open the steam source, so that it flows through the valve to carry out sterilization. Last for 1 minutes at 121 C ;
- Close the steam source;
- Remove the steam hose, then install a sterile rubber plug or sterile mask onto the upper connecting pipe.

Valve dimensions

Fig. 1. Dimensions - valve.

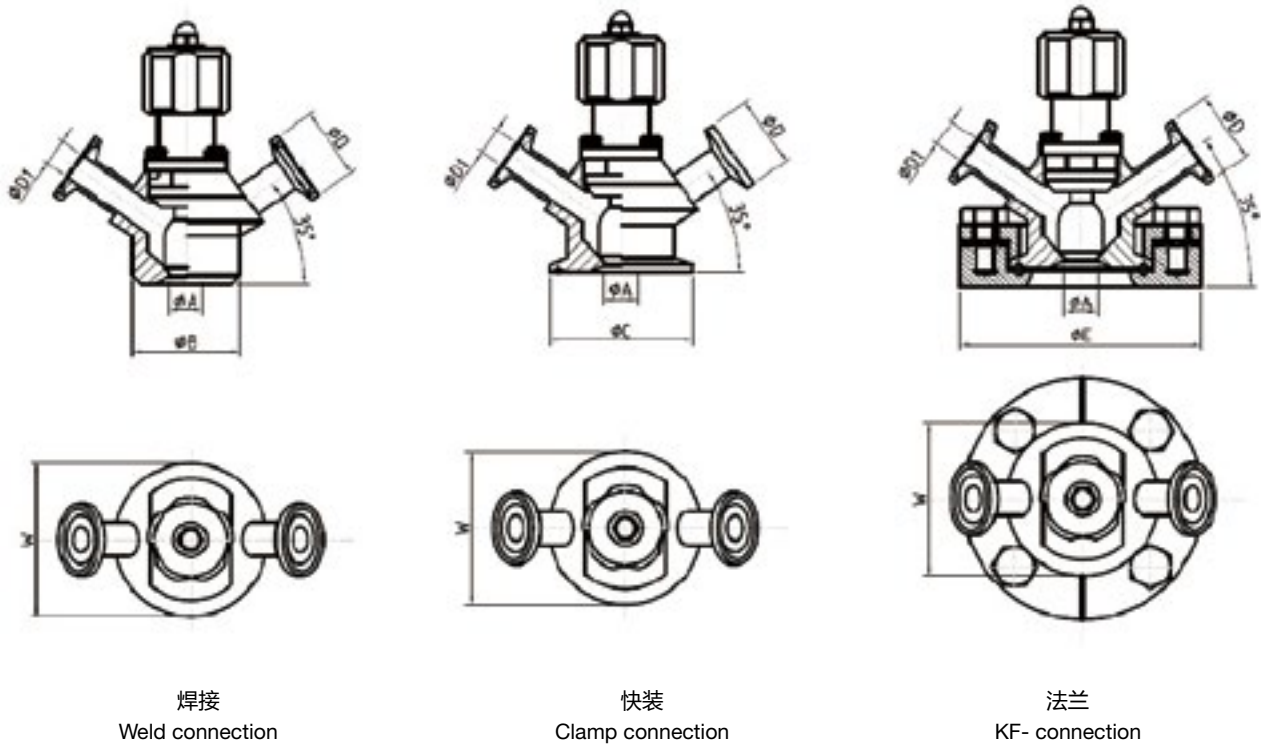
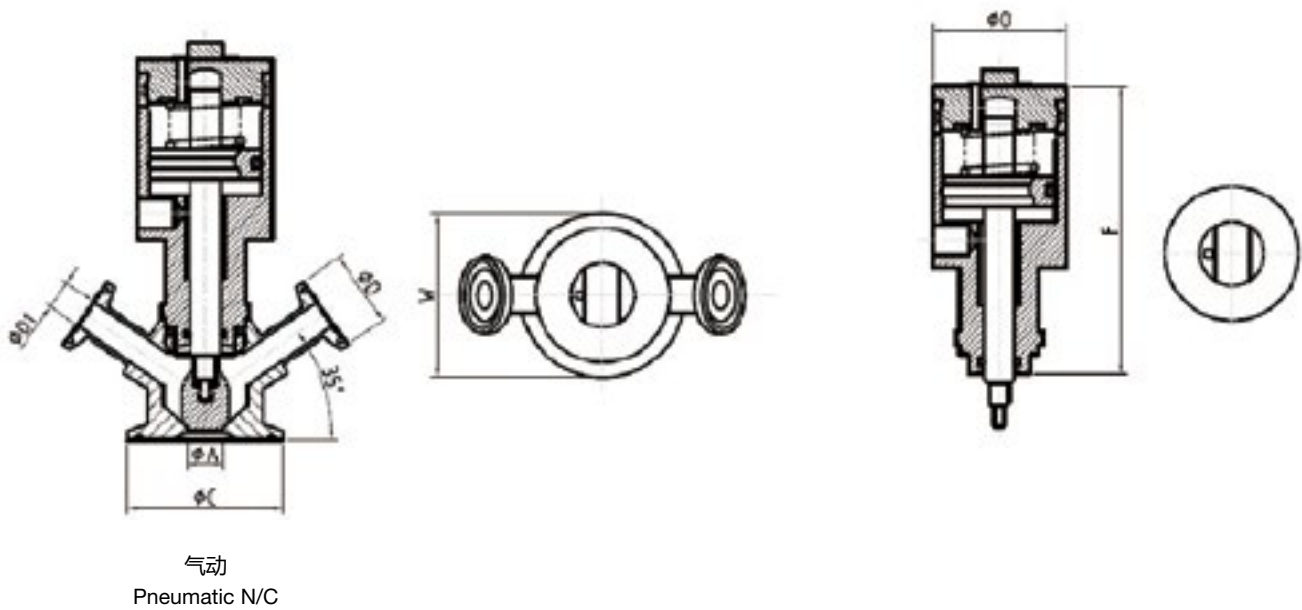


Fig. 2. Dimensions - actuator



Size	A	B	C	D	D1	E	F	O	W
DN20	0.236	0.75	0.99	0.99	0.196				1.51
DN25	0.472	1.50	1.98	0.99	0.370	3.34	3.74	1.73	2.11



应用
Application

乳制品、制药、啤酒、食品、饲料、环保水处理、化妆品及化工领域；
此阀设计精密，反应敏捷，水击作用极小，可以有更高的流速；
接口为螺纹口（常规）外部先导角座阀，溢流口与滑块间有自调节密封
压盖，阀体角座结构可实现较大流量，延长使用寿命，
在同类阀中具有更经济，免维护，易安装，低能耗的特点。

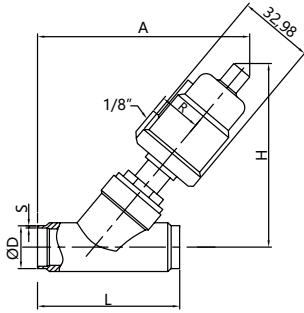
Dairy products, pharmacy, beer, food, feedstuff, environment
protection water treatment, cosmetics and chemical engineering
field; This valve has precision design, can respond quickly, with
extremely small water hammer action but with higher flow speed;
Interface is threaded mouth (regular), external part is firstly guided
with corner valve, there is self-adjusting seal gland between overflow
port and sliding block, valve body corner seat structure can ensure
comparatively large flow capacity, extend service lifetime, with
characteristics such as being economical, non-maintenance, easy
installation and low energy consumption.

技术参数
Technical Parameters

压力范围：0 ~ 16 bar
介质温度：-10°C ~ +180°C
环境温度：-100°C ~ +600°C
阀门材质：SUS316L
密封材质：聚四氟乙烯 PTFE
控制气体：中性气体、空气

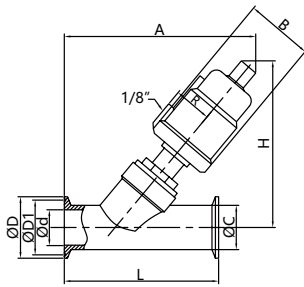
Pressure range: 0~16 bar
Medium temperature: -10°C~+180°C
Ambient temperature: -100°C~+600°C
Valve material: SUS316L
Seal material: Poly tetra fluoroethylene PTFE
Control gas: neutral gas, air

不锈钢角座阀
Stainless Steel Angle Seat Valve



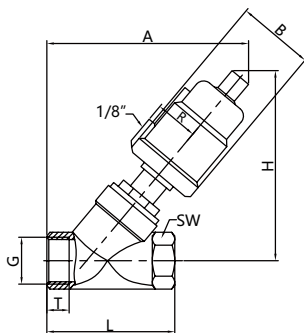
Size	Actuator	B	R	H	D	S	A	L
DN15	40	50.5	27	112	18/19	1.5	118	70
	50	60	33	125			128	
DN25	50	60	33	136	28/29	1.5	150	100
	63	75	41	162			175	
	90AL	112	57	210			216	
	90	106	55	211			218	
DN32	63	75	41	174	34/35	1.5	186	125
	90AL	112	57	220			230	
	90	106	55	223			232	
DN40	63	75	41	175	40/41	1.5	190	130
	90AL	112	57	220			232	
	90	106	55	223			235	
DN50	63	75	41	183	52/53	1.5	206	155
	90AL	112	57	232			247	
	90	106	55	232			250	
	125AL	148	74	287			250	

快装角座阀
Tri-clamp Angle Seat Valve



Size	Actuator	D	D1	C	d	L	A	H
DN20	50	34	27.5	22/23	19	80	140	126
DN25	50	50.5	43.5	28/29	25	130	165	140
	63						188	166
DN32	63	50.5	43.5	34/35	31	146	200	174
	90						245	223
DN40	63	50.5	56.5	40/41	37	160	210	175
	90						255	223
DN50	63	64	56.5	52/53	49	175	221	185
	90						265	235

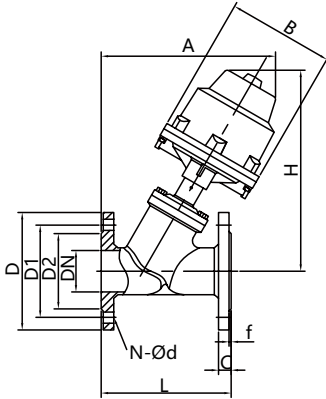
不锈钢内螺纹角座阀
Stainless Steel Angle Seat Valve



Size	Actuator	B	R	H	G	T	A	L	SW
DN10	40	50.5	27	112	3/8"	12	124	68	27
	50	60	33	125			135		
DN15	40	50.5	27	112	1/2"	15	124	68	27
	50	60	33	125			135		
DN25	50	60	33	136	1"	17	150	90	40
	63	75	41	162			172		
	90AL	112	57	210			215		
	90	106	55	211			216		
DN32	63	75	41	174	1 1/4"	21	190	116	50
	90AL	112	57	220			230		
	90	106	55	223			235		
DN40	63	75	41	175	1 1/2"	21	190	116	56
	90AL	112	57	220			230		
	90	106	55	223			235		
DN50	63	75	41	183	2"	26	205	138	69
	90AL	112	57	232			245		
	90	106	55	232			250		
	125AL	148	74	287			294		
DN65	90AL	112	57	262	2 1/2"	26	282	178	85
	90	106	55	265			285		
	125AL	148	74	302			320		
DN80	125AL	148	74	313	3"	27	372	210	100

法兰角座阀

Angle seat valve(Bolted Bonnet)

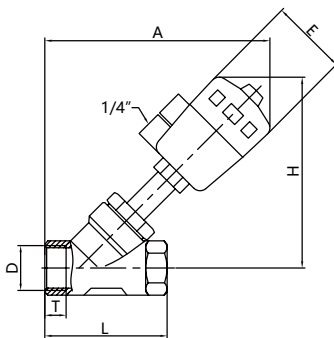


Size	Actuator	L	C	F	D
DN65	Ø125	203	18	3	180
DN80	Ø125	241	20	3	195
DN80	Ø160	241	20	3	195
DN100	Ø160	254	20	3	215

D1	D2	A	H	B	N-Ød
145	120	275	318	168	4-Ø18
160	135	302	345	168	8-Ø18
160	135	330	380	220	8-Ø18
180	155	338	395	220	8-Ø18

塑料气动头 - 内螺纹角座阀

Pneumatic Threaded Angle Seat Valve



Size	Actuator	L	A	H	D	E
DN10	Ø50	65	165	120	3/8"	64
DN15	Ø50	86	172	137	1/2"	64
DN20	Ø50	95	178	145	3/4"	64
DN25	Ø50	105	210	165	1"	64
DN32	Ø63	120	220	180	1 1/4"	80

工作原理
Working Principle

当容器内部压力高于设定压力时，阀门将自动打开向容器外排气，反之关闭；
当容器中产生真空压力时阀门将自动打开（标准真空 ≤ 0.9bar），容器内吸气；
阀门保持常闭状态。

When the internal pressure of the container is higher than the set pressure, the valve will automatically open to exhaust air to the outside of the container, and otherwise it will be closed;

When vacuum pressure is generated in the container, the valve will automatically open (standard vacuum <0.9ber), the container will absorb air; the valve remains normally closed.



校准范围
Calibration Range

压力：0.2 至 3 bar
压力：2.8 PSI 至 43.5 PSI（取决于型号）
真空：0.01 至 0.05 bar
真空：0.15 PSI 至 0.75 PSI（取决于型号）

Pressure: 0.2 to 3 bar
Pressure: 2.8 PSI to 43.5 PSI
(depending on model)
Vacuum: 0.01 to 0.05 bar
Vacuum: 0.15 PSI to 0.75 PSI
(depending on model)

可选择的密封圈类型
Available Seal Types

以下密封圈类型可以安装在您的阀门上：食品级硅胶、氟橡胶
请联系我们的技术部门来确定适合您工艺的密封类型。

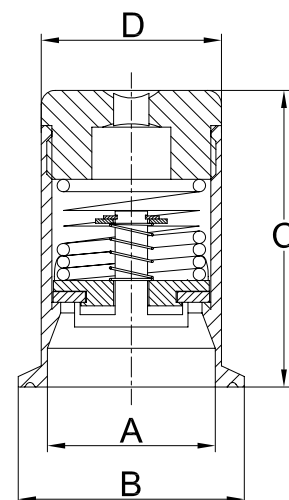
The following seal types can be mounted on your valve:
FOOD-GRADE SILICONE, VITON
Please contact our Technical Department to define the seal type suited to your process.

Pneumatic Threaded Angle Seat Valve

Size	A	B	C	D
	mm	mm	mm	mm
DN40	39.0	50.5	54	44
DN50	47.5	64.0	84	51
DN65	57.8	91	97	63

If you want to check for more details please check the following drawing

*1bar ≈ 14.5psi ≈ 0.1mpa





应用

Application

过滤器可广泛应用于食品，化妆品，一些化工和制药等领域。它们为卫生型设计，可用来过滤颗粒以防止将泵和其他部件打坏。

Filters have a wide range of applications in the food-processing, cosmetics and some chemical industries as well as in auxiliary services of the pharmaceutical industry. They have a hygienic design and are used to filter particles capable of damaging pumps and other equipment.

操作原理

Operating Principle

过滤器包括一个过滤体，可连接产品的进出口。过滤网可固定在过滤体内，过滤网将大于或等于孔径的颗粒截住。

The filter basically consists of a filter body with an inlet and an outlet for the product. The screen is fixed inside the body. The screen retains all particles that are equal or larger than the size of the screen openings

设计特点

Design And Features

有几种不同的构造：

清洗滤网，无需将过滤器解体。

带角度的过滤器 (82700)：进出口呈直角

Y型过滤器 (83700)：产品进和出在同一方向。

清洗滤网，需将过滤器拆开

直线过滤器 (81700)：产品进和出在同一方向。

低压力降

DIN11850 标准连接方式

筛网内径 (从 Ø0.5mm 到 Ø5mm) 或者径向打开 (10×1mm)

There are several configurations:

- Cleaning of the screen without disassembling the filter:

Angular filter (82700): the inlet and the outlet form a right angle.

Y filter (83700): the product enters and leaves the filter in the same direction.

- Cleaning of the screen: need to disassemble the filter.

Straight filter (81700): the product enters and leaves the filter in the same direction.

Low pressure drops.

Connections: DIN EN 10357 series A and ASTM A269/270 (corresponds to OD pipe).

Screen with circular (from Ø 0,5 mm to Ø 5 mm) or longitudinal openings (10 × 1 mm).

技术参数 Technical specifications

直接过滤器 / 角过滤器

尺寸: DN 25 – DN 100 / 1" - 4"

DN 125 – DN 150 / 6"

最高工作温度: -10°C to +120°C (EPDM) / 14 °F to 248 °F
+140°C (SIP, max. 30 min) / 284°F

最大工作压力: 10 bar / 145 PSI

Straight Filter / Angular Filter

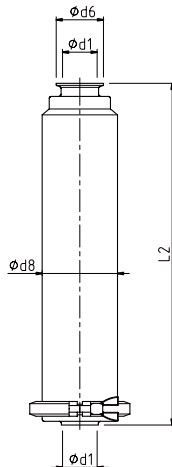
Available sizes: DN 25 – DN 100 / 1" - 4"

DN 125 – DN 150 / 6"

Working temperature: -10°C to +120°C (EPDM) / 14 °F to 248 °F
+140°C (SIP, max. 30 min) / 284°F

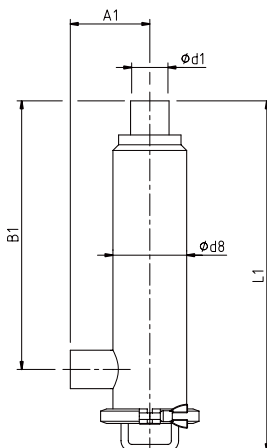
Max.working pressure: 10 bar / 145 PSI

直接过滤器 Straight Filter



焊接 / 卡箍 DIN Weld / Clamp DIN					
DN	Ød1	Ød6	Ød8	L2	kg
25	26	50.5	76.2	407	2.7
32	32	50.5	76.2	407	2.4
40	38	50.5	101.6	493	3.7
50	50	64	101.6	493	4.4
65	66	91	114.3	671	5.5
80	81	106	114.3	671	5.6
100	100	119	154.0	820	12.0
125	125	155	219.1	1187	25.3
150	150	183	219.1	1187	25.3

角过滤器 Angular Filter



焊接 / 卡箍 DIN Weld / Clamp DIN						
DN	Ød1	Ød8	A1	B1	L1	kg
25	26	72	90	300	399	8
32	32	72	95	300	399	8
40	38	101.6	100	370	486	4.1
50	50	101.6	110	370	486	4.1
65	66	114.3	120	525	663	6.9
80	81	114.3	145	525	663	6.9
100	100	154.0	155	676	823	13
125	125	219.1	175	912	1089	19
150	150	219.1	175	912	1089	20

Y 型过滤器

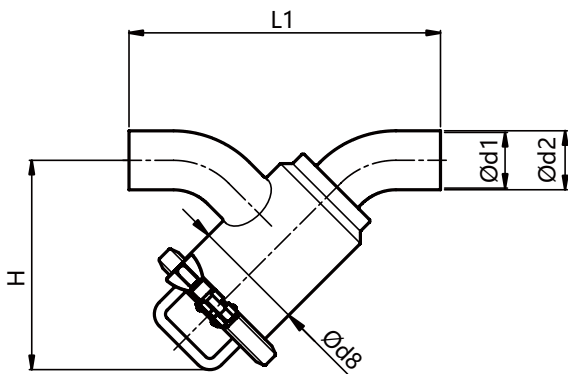
尺寸: DN 25 – DN 50 / 1" - 2"

DN 65 – DN 80 / 2 ½" – 3"

DN 100 – DN 150 / 4"

最高工作温度: -10°C to +120°C (EPDM) / 14 °F to 248 °F
+140°C (SIP, max. 30 min) / 284°F

最大工作压力: 10 bar / 145 PSI



Y Filter

Available sizes: DN 25 – DN 50 / 1" - 2"

DN 65 – DN 80 / 2 ½" – 3"

DN 100 – DN 150 / 4"

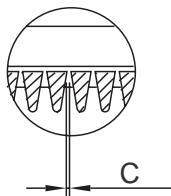
Working temperature: -10°C to +120°C (EPDM) / 14 °F to 248 °F
+140°C (SIP, max. 30 min) / 284°F

Max. working pressure: 10 bar / 145 PSI

焊接 / 卡箍 DIN Weld / Clamp DIN						
DN	Ød1	Ød2	Ød8	L1	H	kg
25	26	29	76.2	235	169	1.5
32	32	35	76.2	242	171	1.6
40	38	41	101.6	260	196	2.5
50	50	53	101.6	279	201	2.5
65	66	70	114.3	319	246	3.5
80	81	85	114.3	374	252	3.8
100	100	104	154.0	400	276	7.4
125	125	129	219.1	667	356	17
150	150	154	219.1	720	368	18

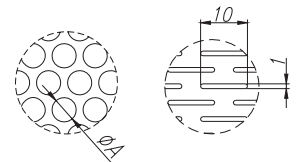
筛网: 楔型金属丝 Screen: Wedge Wire

Mesh equiv.	C (mm)	Useful surface (%)
40	0.40	28
60	0.30	23
80	0.20	17
165	0.10	10
325	0.05	5



筛网: 多孔板 Screen: Perforated Plate

A (mm)	Useful surface (%)
0.5	15
1	28
2	30
5	46
10x1	20





P&E TECHNOLOGY

Provide customers with most
precise and efficient solution
and make the world work better.

www.pestainless.com