



P&E TECHNOLOGY



ISO Standard Sanitary Stainless
Steel Tubing, Fittings and Valves

ISO

www.pestainless.com



P&E TECHNOLOGY

Provide our customers with the best solution accurately and efficiently.

Catalog

1. 钢管 / TUBES

1.1 卫生级不锈钢管 / Sanitary Stainless Steel Tubing	02
---	----

2. 配件 / FITTINGS

2.1 卫生级管件 / Weld Fittings	03
2.2 卫生级活接头 / Sanitary Unions	08

3. 阀门 / VALVE

3.1 蝶阀 / Sanitary Butterfly Valves	13
3.2 止回阀 / Sanitary Check Valves	17
3.3 球阀 / Sanitary Ball Valves	20
3.4 隔膜阀 / Sanitary Diaphragm Valves	24
3.5 罐底阀 / Sanitary Tank Bottom Valves	27
3.6 取样阀 / Sanitary Sampling Valves	29
3.7 角座阀 / Sanitary Angle Seat Valves	32
3.8 呼吸排气一体阀 / Pressure / Vacuum Relief Valves	35

4. 过滤器 / Filters

4.1 过滤器 / Filter	36
------------------	----

尺寸公差 Dimensional Tolerances

所有尺寸单位为 (mm)
all dimensions in (mm)

尺寸 Size OD	公差 Tolerances, OD	壁厚 Wall thickness	壁厚公差 Tolerances on wall thickness ^{a)}	长度公差 Tolerances on Length	重量 Weight Kg/M
17,20	+/- 0.13	1,00	+/-10.0%	+3.18-0	0.404
21,30	+/- 0.13	1,00	+/-10.0%	+3.18-0	0.506
25,00	+/- 0.13	1,20	+/-10.0%	+3.18-0	0.712
25,00	+/- 0.13	1,60	+/-10.0%	+3.18-0	0.933
33,70	+/- 0.13	1,20	+/-10.0%	+3.18-0	0.972
33,70	+/-0.20	1,60	+/-10.0%	+3.18-0	1.280
38,00	+/-0.20	1,20	+/-10.0%	+3.18-0	1.100
38,00	+/-0.20	1,60	+/-10.0%	+3.18-0	1.451
40,00	+/-0.20	1,20	+/-10.0%	+3.18-0	1.160
40,00	+/-0.20	1,60	+/-10.0%	+3.18-0	1.531
51,00	+/-0.20	1,20	+/-10.0%	+3.18-0	1.490
51,00	+/-0.20	1,60	+/-10.0%	+3.18-0	1.970
63,50	+/-0.25	1,60	+/-10.0%	+3.18-0	2.467
70,00	+/-0.25	1,60	+/-10.0%	+3.18-0	2.730
76,10	+/-0.25	1,60	+/-10.0%	+3.18-0	2.970
88,90	+/-0.25	2,00	+/-10.0%	+3.18-0	4.330
101,60	+/-0.38	2,00	+/-10.0%	+3.18-0	4.983
114,30	+/-0.38	2,00	+/-10.0%	+3.18-0	5.600
139,70	+/-0.38	2,00	+/-10.0%	+3.18-0	6.860
168,30	+/-0.76	2,60	+/-10.0%	+3.18-0	10.732
219,10	+/-1.55	2,60	+/-10.0%	+25.4-0	14.022
273	+/-1.60	2,60	+/-10.0%	+25.4-0	17.513
323,9	+/-1.60	2,60	+/-10.0%	+25.4-0	20.810
335,6	+/-1.60	2,60	+/-10.0%	+25.4-0	22.863
406,6	+/-1.60	3,20	+/-10.0%	+25.4-0	32.140

化学成分 Chemical Composition

Chemical Composition%		
	304	316L
C	0.080	0.030
MN	2.00	2.000
P	0.045	0.045
S	0.030	0.030*
Si	1.000	1.000
Cr	18.0-20.0	16.0-18.0
Ni	8.0-13.0	10.0-14.0
Mo	-	2.0-3.0



***The sulfur content 316L ASME BPE is 0.005-0.017% for all weld ends.

国际标准 ISO2037 由 ISO/TC5 技术委员会制定，是欧洲普遍使用的不锈钢管和不锈钢配件的标准。

International standard ISO2037 was formulated by technical committee ISO/TC5, These are stainless steel tubes and stainless steel fittings that are commonly used all over Europe.



P&E ISO2037 Fittings meet

ISO

 requirements.

配件规格 Fittings Specifications....

尺寸范围: 25 OD-101.6 OD
 材质: 1.4301 (304) , 1.4404 (316L)
 表面光洁度: 机械抛光
 内部 20Ra (0.51µm), 外部 32Ra (0.8µm)
 No. 7 - 内外抛光
 No.5- 外表面抛光
 No.3- 内表面抛光
 No.1 . 未抛光
 定制 - 根据客户需求

Size Range: 25 OD through 101.6 OD
 Materials: T304, T316L
 Surface Finish:
 Mechanically Polished
 Internal 20Ra (0.51µm), External 32Ra (0.8µm)
 No. 7 - ID & OD
 No. 5 - OD only
 No. 3 - ID only
 No. 1 - unpolished
 Customized - upon request

举例 For Example

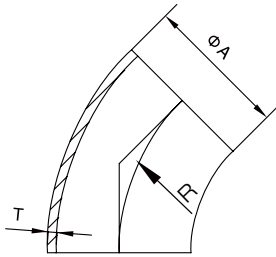
产品描述 Description	尺寸 Size	材质 Material	表面处理方式 Surface	数量 Quantity
S2WK	51	1.4301	NO.7	500

尺寸表注意事项 Notes For Dimension Tables

- 所有尺寸单位均为 mm。
- 壁厚: 管件 25mm-51 尺寸制造为 1.2mm 壁厚。63.5mm-76.1mm 管尺寸制造为 1.6mm 壁厚。101.6mm 管尺寸制造为 2mm 壁厚。

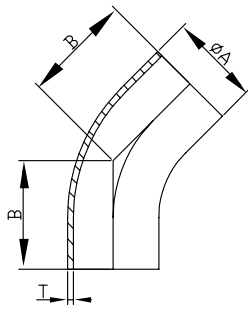
- All Dimensions are in mm.
- Wall Thickness: Fittings 25mm-51mm sizes are manufactured with 1.2mm wall thickness. The 63.8-76.1mm tube size is manufactured with 1.6mm wall thickness.

45° 弯头 S2WK 45° Short elbow



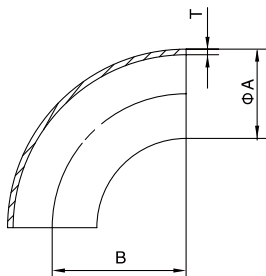
Size	A	R	T
25	25	15.53	1.2
38	38	23.61	1.2
51	51	31.69	1.2
63.5	63.5	39.45	1.6
76	76.1	47.28	1.6
101.6	101.6	63.0	2.0

45°长弯头, 带直边 SL2WS 45° Long elbow



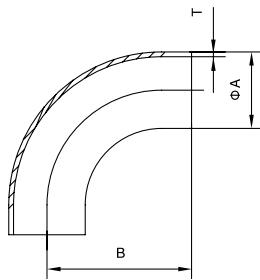
Size	A	B	T
25	25	42.53	1.2
38	38	56.61	1.2
51	51	68.69	1.2
63.5	63.5	78.45	1.6
76	76.1	85.28	1.6
101.6	101.6	103.0	2.0

90°弯头 S2WCL 90° Short elbow



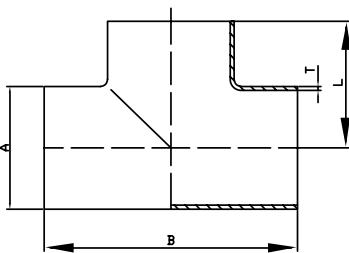
Size	A	B	T
25	25	37.5	1.2
38	38	57.0	1.2
51	51	76.5	1.2
63.5	63.5	95.25	1.6
76	76.1	114.15	1.6
101.6	101.6	152.1	2.0

90°长弯头, 带直边 SL2WS 90° Long bend



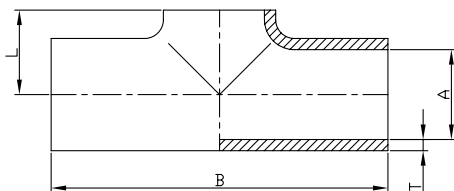
Size	A	B	T
25	25	55	1.2
38	38	70	1.2
51	51	82	1.2
63.5	63.5	105	1.6
76	76.1	110	1.6
101.6	101.6	150	2.0

等径短三通 S7W Tee with straight-end



Size	A	B	L	T
25	25	110	55	1.2
38	38	140	70	1.2
51	51	164	81	1.2
63.5	63.5	210	105	1.6
76	76.1	220	110	1.6
101.6	101.6	300	150	2.0

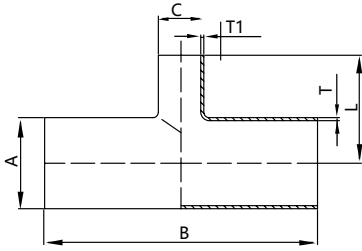
平口三通 SL7WWW Tee without straight-end



Size	A	B	L	T
25	25	110	15	1.2
38	38	140	21	1.2
51	51	164	29	1.2
63.5	63.5	210	36	1.6
76	76.1	220	44	1.6
101.6	101.6	300	58	2.0

异径三通

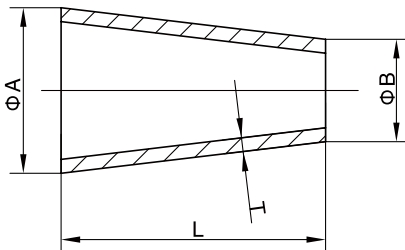
S7RW Reducing tee without straight-end



Size	A	B	C	L	T
38×25	38	140	25	21	1.2
51×25	51	164	25	29	1.2
51×38	51	164	38	29	1.2
63.5×25	63.5	210	25	36	1.6
63.5×38	63.5	210	38	36	1.6
63.5×51	63.5	210	51	36	1.6
76×25	76.1	220	25	44	1.6
76×38	76.1	220	38	44	1.6
76×51	76.1	220	51	44	1.6
76×63.5	76.1	220	63.5	44	1.6
101.6×25	101.6	300	25	58	2
101.6×38	101.6	300	38	58	2
101.6×51	101.6	300	51	58	2
101.6×63.5	101.6	300	63.5	58	2
101.6×76	101.6	300	76.1	58	2

同心大小头

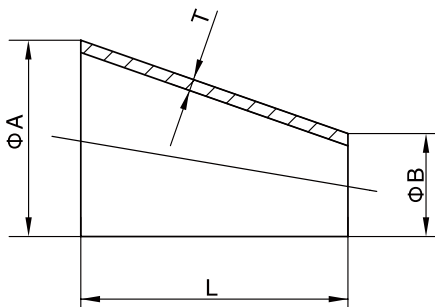
SL31 Eccentric reducer



Size	A	B	L	T
38×25	38	25	39	1.2
51×25	51	25	57	1.2
51×38	51	38	39	1.2
63.5×25	63.5	25	74	1.6
63.5×38	63.5	38	57	1.6
63.5×51	63.5	51	39	1.6
76×25	76.1	25	92	1.6
76×38	76.1	38	74	1.6
76×51	76.1	51	57	1.6
76×63.5	76.1	63.5	39	1.6
101.6×51	101.6	51	95	2.0
101.6×63.5	101.6	63.5	78	2.0
101.6×76	101.6	76	60	2.0

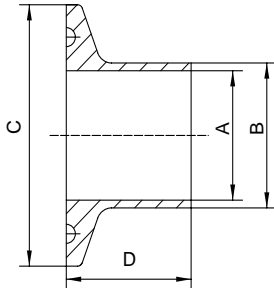
偏心大小头

SL32 Eccentric reducer



快装弯头

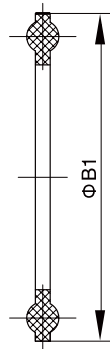
S14MMP Long Weld Ferrule



Size	A	B	C	T
25	22.5	25	50.5	21.5
32	29.5	32	50.5	21.5
38	35.5	38	50.5	21.5
51	48.5	51	64.0	21.5
63.5	60.3	63.5	77.5	21.5
76	72.9	76.1	91.0	21.5
101.6	97.6	101.6	119.0	21.5

卡箍密封圈

40MP Gasket

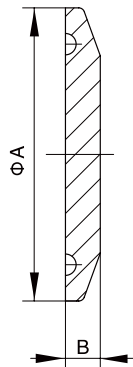


1" - 12"

Size	B1
25-38	50.5
51	64
63.5	77.5
76	91
101.6	119

盲盖 / 堵头

16AMP Solid End Cap



Size	A	B
25-38	50.5	6.4
51	64.0	6.4
63.5	77.5	6.4
76	91.0	6.4
101.6	119.0	7.9

ISO 活接头 ISO UNIONS

ISO 活接头是瑞典标准的卫生配件。它可以通过圆形开槽螺母和方形截面连接环来识别。这可能是世界上使用最广泛的卫生配件，在公阀的表面和衬垫之间总是有一个小的缝隙，因此，它有助于在不干扰相邻部分的情况下移除管道工作。

ISO union is the Swedish standard hygienic fitting. It can be recognized by the round slotted nut and square section joint ring. It shall be probably the most widely used hygienic fitting worldwide, there is always a small crevice between the face of the male spigot and the liner. Therefore, it facilitates the removal of sections of pipe work without disturbing adjacent sections.



ISO requirements.

配件规格 Fittings Specifications....

尺寸范围: 25OD-101.6OD

材质: 1.4301 (304) , 1.4404 (316L)

加工: 采用数控加工的锻件

内部 20Ra (0.51μm)

工作压力范围

尺寸 25 - 38 最大工作压力 40 巴, 温度 20°C

尺寸 51 - 76 最大工作压力 25 Bar, 温度 20° C

尺寸 101.6 最大工作压力 16bar, 温度 20° C

Size Range: OD.25 through OD.101.6

Materials: 1.4301(304), 1.4404(316L)

Processing: Forging Machined by CNC

Internal 20Ra(0.51μm)

Working Pressure Range, (Fully Forged Unions):

SIZE 25 - 38 Max. Working Pressure 40 Bar @ 20 C

SIZE 51 - 76 Max. Working Pressure 25 Bar @ 20 C

SIZE 101.6 Max. Working Pressure 16 Bar @ 20 C

产品描述 Description	尺寸 Size	材质 Material	表面处理方式 Surface	数量 Quantity
SM-13	38	1.4301	Ra≤0.8μm	500

尺寸表注意事项

Notes For Dimension Tables

· 所有尺寸均符合 DIN 标准

· 壁厚: 管件 25mm-51mm 尺寸制造为 1.2mm 壁厚。

63.5mm-76.1mm 管尺寸制造为 1.6mm 壁厚。

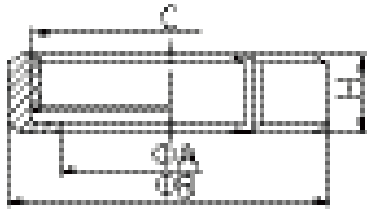
101.6mm 管尺寸制造为 2mm 壁厚。

· All Dimensions are according to DIN standard.

· Wall Thickness: Fittings 25mm-51mm sizes are manufactured with 1.2mm wall thickness. The 63.5mm-76.1mm tube size is manufactured with 1.6mm wall thickness

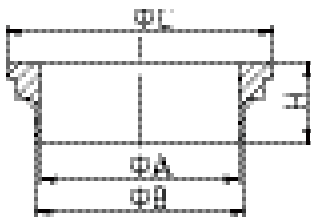
· The 101.6mm tube is manufactured with 2mm wall thickness.

ISO-13 螺帽 ISO-13RS Nut



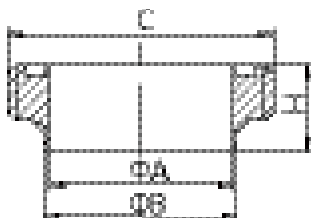
Size	A	B	C	H
25	32	51	Rd40×1/6"	20
32	40.5	60	Rd48×1/6"	22
38	48	74	Rd60×1/6"	25
51	61	84	Rd70×1/6"	26
63.5	74	100	Rd85×1/6"	30
76	87	114	Rd98×1/6"	32
101.6 (Max)	117	154	Rd132×1/6"	45
101.6 (Min)	113	140	Rd125×1/4"	32

ISO-14 长型焊接平接头 ISO-14 Welding liner



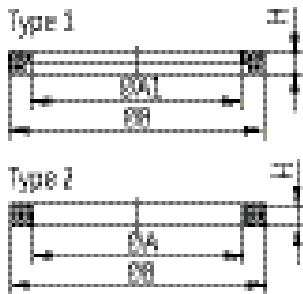
Size	A	B	C	H
25	22.5	25	35.5	15
32	29.5	32	43.5	15
38	35.5	38	55	20
51	48.5	51	65	20
63.5	60.5	63.5	80	24
76	72.9	76.1	93	24
101.6 (Max)	97.6	101.6	127	30
101.6 (Min)	97.6	101.6	118	30

ISO-15 长型焊接云头 ISO-15 Welding male



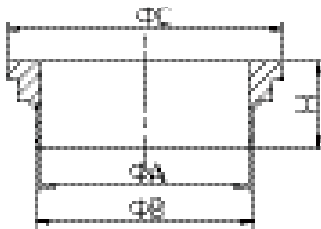
Size	A	B	C	T
25	22.5	25	Rd40×1/6"	19
32	29.5	32	Rd48×1/6"	19
38	35.5	38	Rd60×1/6"	23
51	48.5	51	Rd70×1/6"	23
63.5	60.5	63.5	Rd85×1/6"	27
76	72.9	76.1	Rd98×1/6"	27
101.6 (Max)	97.6	101.6	Rd132×1/6"	35
101.6 (Min)	97.6	101.6	Rd125×1/4"	30

密封圈 Seal ring



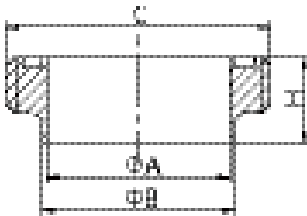
Size	A	A1	B	H
25	25	22.7	31.8	5.3
32	32	29.7	39.8	5.3
38	38	35.7	47.8	5.3
51	51	45.5	60.8	5.3
63.5	63.5	60.7	73.2	5.3
76	76	72.3	85.8	5.3
101.6	101.6	97.8	103.8	5.3

ISO-14S 焊接平接头 ISO-14 Welding liner



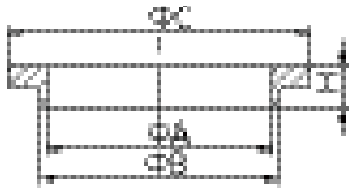
Size	A	B	C	H
25	22.5	25	35.5	10
32	29.5	32	43.5	10
38	35.5	38	55	11
51	48.5	51	65	13
63.5	60.5	63.5	80	13
76	72.9	76.1	93	14
101.6 (Max)	97.6	101.6	127	16
101.6 (Min)	97.6	101.6	118	16

ISO-15S 焊接云头 ISO-15S Welding male



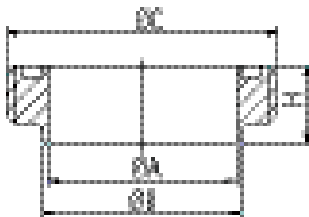
Size	A	B	C	H
25	22.5	25	Rd40×1/6"	15
32	29.5	32	Rd48×1/6"	15
38	35.5	38	Rd60×1/6"	20
51	48.5	51	Rd70×1/6"	20
63.5	60.5	63.5	Rd85×1/6"	24
76	72.9	76.1	Rd98×1/6"	24
101.6 (Max)	97.6	101.6	Rd132×1/6"	28
101.6 (Min)	97.6	101.6	Rd125×1/4"	28

ISO-14SS 短型焊接平接头 ISO-14SS Welding liner



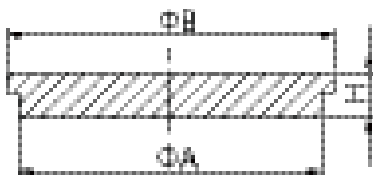
Size	A	B	C	H
25	22.5	25	35.5	7.5
32	29.5	32	43.5	7.5
38	35.5	38	55	9
51	48.5	51	65	9
63.5	60.5	63.5	80	9
76	72.9	76.1	93	10
101.6 (Max)	97.6	101.6	127	12
101.6 (Min)	97.6	101.6	118	12

ISO-15SS 短型焊接云头 ISO-15SS Welding male



Size	A	B	C	H
25	22.5	25	RD40×1/6"	15
32	29.5	32	RD48×1/6"	15
38	35.5	38	RD60×1/6"	18
51	48.5	51	RD70×1/6"	20
63.5	60.5	63.5	RD85×1/6"	20
76	72.9	76.1	RD98×1/6"	21
101.6 (Max)	97.6	101.6	RD125×1/4	26

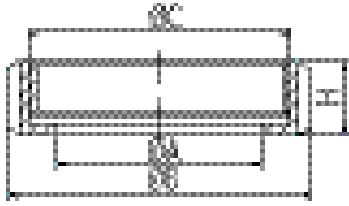
ISO-14B 盲接头 ISO-14B Blank liner



Size	A	B	H
25	31.5	35.5	7.5
32	40	43.5	8
38	31.5	55	8
51	40	65	8
63.5	73.5	80	9
76	86.5	93	11
101.6 (Max)	116.5	127	12
101.6 (Min)	112.5	118	12

ISO-13RS 螺帽

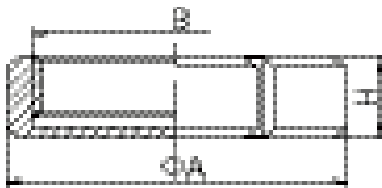
ISO-13RS Nut



Size	A	B	C	H
25	32.3	50	Rd40×1/6"	18
32	40.3	58	Rd48×1/6"	18
38	48.5	72	Rd60×1/6"	21
51	60.5	82	Rd70×1/6"	23
63.5	74	98	Rd85×1/6"	23
76	87	111	Rd98×1/6"	26
101.6 (Max)	113	138	Rd125×1/4"	30

ISO-13RB 盲盖

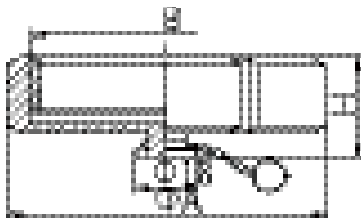
ISO-13RB Blank nut



Size	A	B	H
25	51	Rd40×1/6"	20
32	60	Rd48×1/6"	22
38	74	Rd60×1/6"	25
51	84	Rd70×1/6"	26
63.5	100	Rd85×1/6"	30
76	114	Rd98×1/6"	32
101.6 (Max)	154	Rd132×1/6"	45
101.6 (Min)	140	Rd125×1/4"	32

ISO-13RBN 带链条盲盖

ISO-13RBN Blank nut with boss



Size	A	B	H
25	51	Rd40×1/6"	27
32	60	Rd48×1/6"	29
38	74	Rd60×1/6"	32
51	84	Rd70×1/6"	33
63.5	100	Rd85×1/6"	37
76	114	Rd98×1/6"	39
101.6 (Max)	154	Rd132×1/6"	52
101.6 (Min)	140	Rd125×1/4"	39



设计和特点 Design and Features

- 简洁有活力的设计
- 尺寸 DN25/1" 到 DN150/6"
- 多定位手柄尺寸到 DN100/4"
- 拉杆手柄尺寸到 DN125/150/6"
- 手动手柄和气动或电动执行器可互换
- 低压消耗
- 任何连接方式的阀体都可以进行更换
- Compact and robust design
- Available in sizes D N25/1" to DN 150/6"
- The size of multi-position handle up to DN100/4"
- The size of pull handle up to DN125/150/6"
- Manual handle, pneumatic actuator and electric actuator can be exchangeable with each other
- Low pressure losses
- The valve body can be changeable with any kind of connection

技术参数 Technical Data

- 最大压力: 10 bar(DN-25/100)
8 bar(DN-125/150)
- 最小压力: 0.2 bar p.abs
- 工作温度: -10°C到 +120°C (EPDM)
- Max.pressure: 10 bar (DN-25/100)
8 bar (DN-125/150)
- Min.pressure: 0.2 bar p.abs
- Operating temperature: -10°C to +120°C (EPDM)


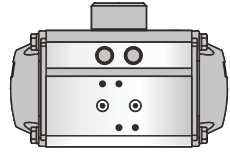
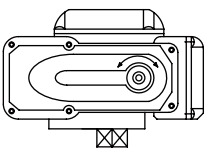
阀门最小扭矩范围 (Kgf.m) Minimum torque range of the actuator









规格尺寸 Standard size	扭矩值 Torque(Kgf.m)
1.0"	0.3
1.5"	0.4
2.0"	0.5
2.5"	1.2
3.0"	2
4.0"	2.5
5.0"	3
6.0"	3.5
8.0"	4.5






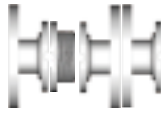




S= 焊接
 G= 螺纹
 K/M= 活接
 FI= 法兰
 CI= 快装

 S = Welded end
 G = Male
 K/M = Liner / nut
 FI = Flange
 CI = Clamp

气动头 / Pneumatocal			
不锈钢气动头 Stainless Steel Pneumatic Actuator	铝合金气动头 Aluminium Pneumatic Actuator	电动头 Electric Actuator	
			

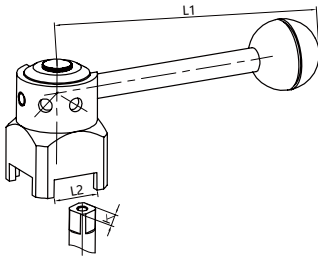
手动手柄 / Manually Operated			
蓝色 A 型 hand lever Blue type A.	黑色 A 型 hand lever Black type A.	蓝色 B 型 hand lever Blue type B.	黑色 B 型 hand lever Black type B.
			
蓝色 C 型 hand lever Blue type C.	不锈钢 A 型 hand lever stainless steel A	不锈钢 B 型 hand lever stainless steel B	不锈钢 hand lever stainless steel
			

连接方式 / Connection Type					
S - S	G - S	G - G	K/M - G	K/M - S	FI (PN10) - G FI - FI (PN10)
					
CI - CI	Intermediate - butterfly Valve				
		S - S			

密封圈 / seals			
Silicone	EPDM	FKM	HNBR
			

拉杆手柄

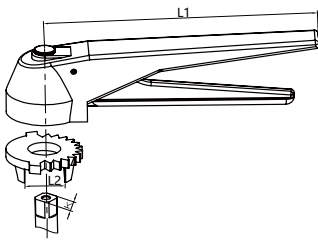
Pulling Handle



Size	L1	L2	K × K
0.5"-1.5"	126	20.2	8×8
2"	133	20.2	10×10
2.5"-3"	144	22.2	10×10
3.5"-4"	160	22.2	11×11
5"-6"	220	22.2	11×11
8"	284	30.2	14×14

塑料鸭嘴手柄

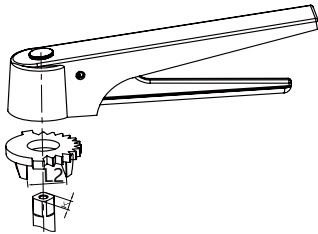
Plastic Multi-Position handle



Size	L1	L2	K × K
0.5"-1.5"	150	20.2	8×8
2"-3"	150	20.2	10×10
3.5"-4"	150	22.2	11×11

不锈钢鸭嘴手柄

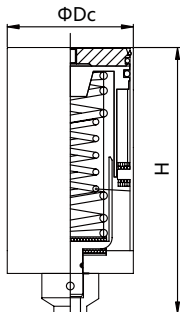
Stainless Steel Multi-Position Handle



Size	L1	L2	K × K
0.5"-1.5"	155	20.2	8×8
2"-3"	155	20.2	10×10
3.5"-6"	155	22.2	11×11
8"	230	30.2	14×14

不锈钢气动头

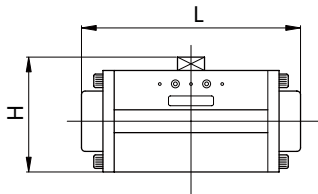
Stainless Steel Pneumatic Actuator



Size	Dc	H	可配蝶阀 match with butterfly valve	可配球阀 match with ball valve
Ø85	85.0	180.5	1"-4"	1"-2"
Ø108	108	223	5"-6"	2.5"-3"
Ø133	133	400	8"	2.5"-3"

铝合金气动头

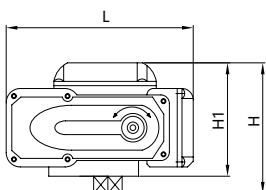
Aluminium Pneumatic Actuator



Size	H	L	可配蝶阀 match with butterfly valve	可配球阀 match with ball valve
AT1	91.0	131.0	1/2"-1 1/4"	1/2"-1"
AT2	112.0	185.0	2"-4"	1 1/4"-2"
AT3	128.0	230.0	5"	2 1/2"-3"
AT4	154.0	290.0	6"-8"	3 1/2"-4"

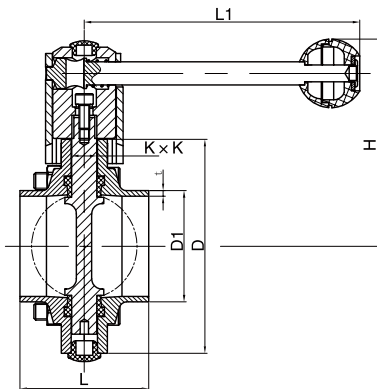
电动装置

Electric Actuator



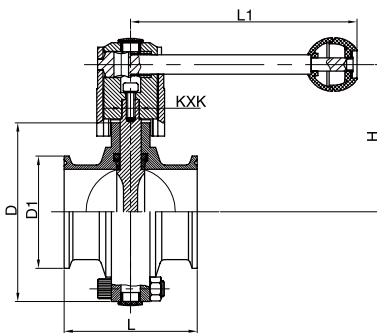
Size	L	H	H1	可配蝶阀 match with butterfly valve	可配球阀 match with ball valve
HL-05	157.5	115.0	103.0	1"-4"	1"-2"
HL-10	208.0	124.0	115.0	5"-8"	2.5"-3"
HL-20	280.0	135.0	109.0		4"

焊接蝶阀 Welded Butterfly Valve



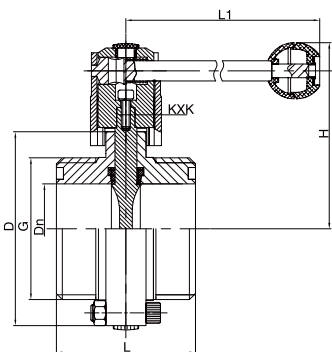
Size	D1	D	L	L1	H	KxK
Ø25	25	78	50	126	86	8x8
Ø32	32	78	50	126	86	8x8
Ø38	38	86	50	126	90	8x8
Ø51	51	102	52	133	102	10x10
Ø63	63.5	115	56	144	109	10x10
Ø76	76.2	128	56	144	115	10x10
Ø101	101.6	154	64	144	131	11x11

快装蝶阀 Clamped Butterfly Valve



Size	D1	D	L	L1	H	KxK
Ø25	50.5	78	66	126	86	8x8
Ø32	50.5	78	66	126	86	8x8
Ø38	50.5	86	70	126	90	8x8
Ø51	64	102	76	133	102	10x10
Ø63	77.5	115	80	144	109	10x10
Ø76	91	128	84	144	115	10x10
Ø101	119	154	104	144	131	11x11

螺纹蝶阀 Threaded Butterfly Valve



Size	DN	D	L	L1	H	G	KxK
Ø19	16	78	66	126	86	RD36x1/8	8x8
Ø25	22.4	78	66	126	86	RD40x1/6	8x8
Ø32	28.8	78	66	126	86	RD48x1/6	8x8
Ø38	35.1	86	70	126	90	RD60x1/6	8x8
Ø51	47.8	102	76	133	102	RD70x1/6	10x10
Ø63	59.5	115	80	144	109	RD85x1/6	10x10
Ø76	72.2	128	84	144	115	RD98x1/6	10x10
Ø89	85	139	86	160	123.5	RD110x1/6	11x11
Ø101 min	97.6	154	104	160	131	RD125x1/6	11x11
Ø101 max	97.6	159	104	160	133.5	RD132x1/6	11x11

操作原理

Operating principle

· 当流体的压力大于弹簧的抽吸压力时，阀门打开。当两种压力相当时，阀门关闭。
更强大的压差也可以使阀门关闭。

· The valve opens when the pressure of the fluid exceeds the pressure exerted by the pump spring. When the two pressures are equalised, the valve closes. A stronger counter-pressure allows the valve to close.



材质

Materials

- 外部构造和轴：AISI 304/ AISI 316L
- 弹簧：AISI 304/ AISI 316L
- 垫圈：EPDM 根据 FDA 117.2600
- 表面处理：Ra ≤ 0.8 μm
- Casing/shaft: AISI 304/ AISI 316L
- Spring: AISI 304/ AISI 316L
- Sea: EPDM according to FDA 177.2600
- Surface finishing: Ra ≤ 0.8 μm



选项

Options

- 垫圈有 NBR, FPM (氟橡胶) 或 PTFE, 所有都根据 FDA 117.2600
- 连接：焊接, 螺纹, 卡箍, DIN, SMS RJT, IDF, ISO, 3A
- Seals in NBR, FPM (Viton) or PTFE. All of them according to FDA 177.2600
- Connections: weld, thread, clamp, DIN, SMS, RJT, IDF, ISO, 3A

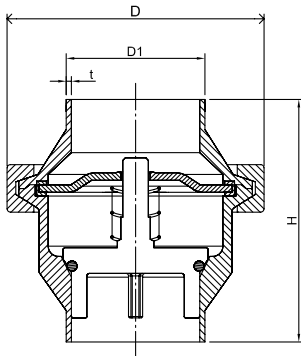
技术规范

Technical specifications

- 最大压力：10 bar
- 开启压力：0.3bar(DN-25)、0.2bar(DN-32/40)、0.1bar(DN-50/100)
- 工作温度：-10°C到 +120°C (EPDM)
- Max. pressure: 10 bar
- Opening pressure: 0.3 bar (DN-25)、0.2 bar (DN-32/40)、0.1 bar (DN-50/100)
- Working temperature: -10°C to +120°C (EPDM)

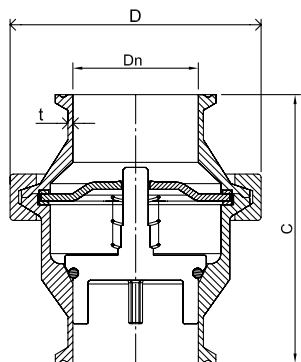


焊接止回阀
Welded Check Valve



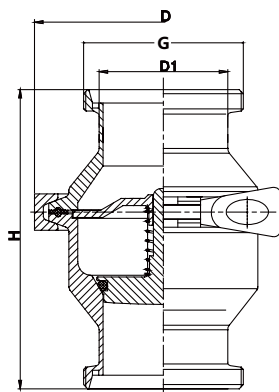
Size	t	H	D	D1
Ø25	1.2	81	87	25
Ø32	1.2	81	87	32
Ø38	1.2	81	87	38
Ø51	1.2	91	100	51
Ø63	1.6	95	115	63.5
Ø76	1.6	101	128	76.1
Ø101	2	110	164	101.6

快装止回阀
Clamped Check Valve



Size	t	H	D	Dn
Ø25	1.2	95	87	50.5
Ø38	1.2	95	87	64
Ø51	1.2	104	100	77.5
Ø63	1.6	110	115	91
Ø76	1.6	115	128	106
Ø101	2	130	164	119

螺纹止回阀
Threaded Check Valve



Size	H	D	D1	G(RD)
3/4"	115	87	19	35.5×1/8
1"	119	87	25.4	39.5×1/6
1 1/4"	127	87	31.8	59.5×1/6
1 1/2"	127	87	38.1	69.5×1/6
2"	137	100	50.8	84.5×1/6
2 1/2"	149	115	63.5	97.3×1/6
3"	155	128	76.2	104.3×1/6
3 1/2"	149	128	89	124.3×1/4
4"	170	164	101.6	131.3×1/6

信息

Information

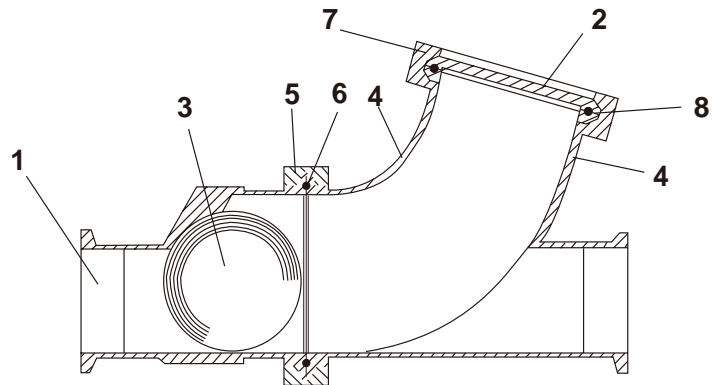
- 经过精密加工的阀座可确保完全关闭
- 两片式结构，在安装过程中更容易对齐
- 可根据需求提供其他连接方式
- Buna-N 和 Viton® 人造橡胶
- 内外抛光
- 所有金属接触面材质为不锈钢 T316L
- 尺寸范围从 1 1/2" 至 3"
- Buna 材质的球 & 密封圈

- Precision machined seat to ensure positive shut-off
- Two-piece construction for easier alignment during installation
- Other connections available upon request
- Buna-N and Viton® elastomers
- Polished ID and OD
- All metal contact surfaces of T316L stainless steel
- Sizes range from 1 1/2" through 3"
- Buna Ball & Gaskets Standard

零件分解

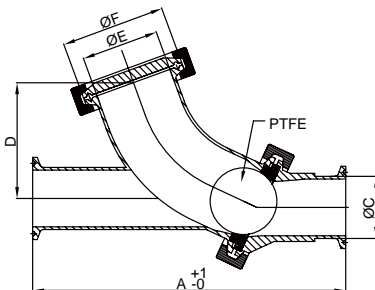
Parts Breakdown

- | | |
|------------------|--------------------------|
| 1. 阀座 - (快装) | 1. Seat body - (Clamp) |
| 1W. 阀座 - (焊接) | 1W. Seat body - (Weld) |
| 2. 堵头 | 2. Cap |
| 3B. 球 -(丁腈橡胶) | 3B. Ball-(Buna-N) |
| 3V. 球 -(氟橡胶) | 3V. Ball-(Viton®) |
| 3P. 球 -(聚四氟乙烯橡胶) | 3P. Ball-(PTFE) |
| 4. 角体 | 4. Angle body |
| 4W. 角体 - (焊接) | 4W. Angle body-(Weld) |
| 5. 卡箍夹 | 5. Body clamp |
| 6B. 阀体垫圈 -(丁腈橡胶) | 6B. Body gasket-(Buna-N) |
| 6V. 阀体垫圈 -(氟橡胶) | 6V. Body gasket-(Viton®) |
| 7. 堵头卡箍 | 7. Cap clamp |
| 8B. 堵头垫圈 -(丁腈橡胶) | 8B. Cap gasket-(Buna-N) |
| 8V. 堵头垫圈 -(氟橡胶) | 8V. Cap gasket-(Viton®) |



Y 型带球止回阀

Y Ball Check Valve



Size	A	C	D	E	F
Ø38	190.5	38.1	83.8	47.5	64
Ø51	215.9	50.8	99	59.3	77.5
Ø63	254	63.5	114.3	72.9	91
Ø76	292.1	76.2	134.6	97.4	119

应用

Applications

无论是手动还是自动操作球阀，主要应用于加工饮料，酿酒，炼油，化妆品和化学工业。

It Is Widely Used In Beverage, Brewing, Oil Refinery, Cosmetic, Chemical Industries.

设计和特点




Design and features

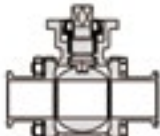
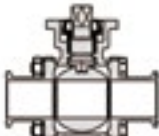
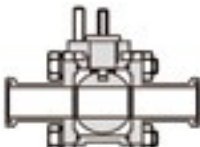
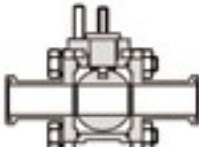
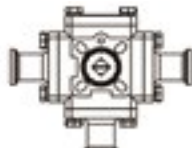
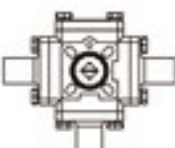
- 无需维护
 - 比其他的阀门更小更轻
 - 操纵扭矩小
 - 垫圈根据 PTFE FDA 177.2600
 - 无论流体是何种流向，手柄可以安装在侧边的阀体上
 - 无论是何种连接方式，阀体都可进行更换，而不会改变阀门的总长度
 - 连接：螺纹，焊接，卡箍，法兰，DIN，SMS RJT FIL
 - 可装配气动执行器，电动执行器
 - 物料接触部位 AISI 304/316L，其它部位 AISI 304
 - 阀门类型：直通球阀，三片式球阀，三通球阀
 - 球芯类型：T 型、L 型、直通型
 - 材质：AISI 304、316L
- Free of maintenances
 - Compact and portable
 - Small operating torque
 - Gasket complies with PTFE FDA 177.2600
 - Hand lever can be installed on the side of the valve body, no matter of the flow direction.
 - Connection ends: thread, clamp, weld, flange, DIN, SMS, RJT, FIL.
 - It can match with pneumatic and electric actuators.
 - Material for the part contacted with media is AISI 304/316L. Other part is AISI 304
 - Type of valves: One-way ball valve, three-piece ball valve. Three-way ball valve
 - Type of cores: T type, L type, direct type.
 - Material: AISI 304, 316L

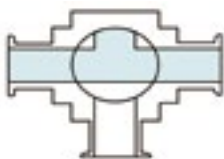
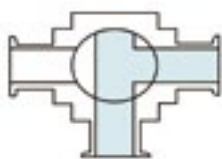








Modular system

- S = 焊接
- G = 螺纹
- K/M = 活接
- Fl = 法兰
- Cl = 快装
- S = Welded end
- G = Male
- K/M = Liner / nut
- Fl = Flange
- Cl = Clamp

气动头 / Pneumatical		
140.5x60.5	158.5x83	210.5x94.5
		

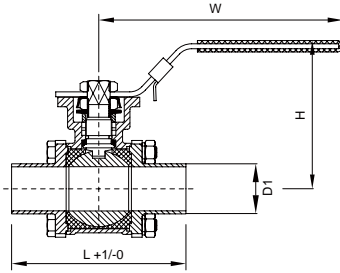
阀体结构 / Body Configuration			
Cl-Cl	S-S	Cl-Cl	S-S
			
Cl-Cl	S-S		
			

球类型 / Ball Type			
"T" Port			
			
"L" Port			
			

密封方式 / Sealing Material	
Encapsulated	Standard
	

焊接高平台球阀

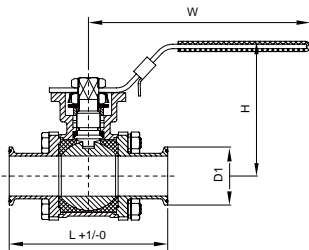
Weld Ball Valve With High Platform



Size	D1	L	W	H
15	12	90	130	70
20	17.2	102.2	125	80
25	25	115.3	166	90
38	38	137.6	193	105
51	51	156	212	112
63	63.5	171	370	174
76	76.1	196.7	370	185
101	101.6	242	400	205

快装高平台球阀

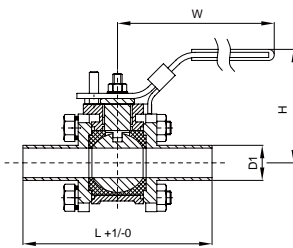
Clamp Ball Valve With High Platform



Size	D2	L	W	H
15	25	90	130	70
20	25	102.2	125	80
25	50.5	115.3	166	90
38	50.5	137.6	193	105
51	64	156	212	112
63	91	171	370	174
76	106	196.7	370	185
101	119	242	400	205

焊接低平台球阀

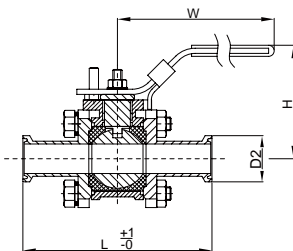
Weld Ball Valve With Low Platform



Size	D1	L	W	H
15	18/19	91	130	62
20	22/23	102.5	130	68.5
25	28/29	114.8	176	74.5
38	40/41	137.3	226	98
51	52/53	156.4	226	100
63	70	171	326	123.5
76	85	196.7	325	150
101	104	242	332	159

快装低平台球阀

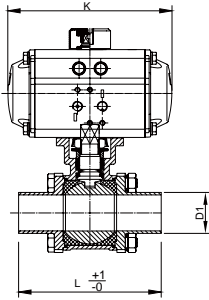
Clamp Ball Valve With Low Platform



Size	D2	L	W	H
15	25	91	130	62
20	25	102.5	130	68.5
25	50.5	114.8	176	74.5
38	50.5	137.3	226	98
51	64	156.4	226	100
63	91	171	326	123.5
76	106	196.7	325	150
101	119	242	332	159

气动焊接球阀

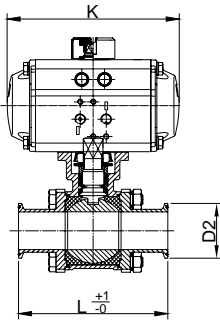
Pneumatic Weld Ball Valve



Size	D1	L	K
15	12	90	130
20	17.2	102.2	125
25	25	115.3	166
38	38	137.6	193
51	51	156	212
63	63.5	171	370
76	76.1	196.7	370
101	101.6	242	400

气动快装球阀

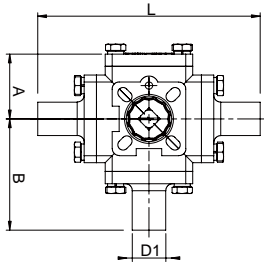
Pneumatic Clamp Ball Valve



Size	D2	L	K
15	25	90	130
20	25	102.2	125
25	50.5	115.3	166
38	50.5	137.6	193
51	64	156	212
63	91	171	370
76	106	196.7	370
101	119	242	400

焊接三通球阀

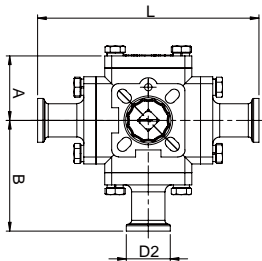
Sanitary Three-Way Weld Ball Valve



Size	D1	A	B	L
15	12	34	59	118
20	17.2	37	63.5	127
25	25	41	76.3	152.6
38	38	52.5	87.5	175
51	51	65	100.7	201.4
63	63.5	75	113.85	227.7
76	76.1	95	130.3	260.6
101	101.6	120	160	320

快装三通球阀

Sanitary Three-Way Clamp Ball Valve



Size	D2	A	B	L
15	25	34	59	118
20	25	37	63.5	127
25	50.5	41	76.3	152.6
38	50.5	52.5	87.5	175
51	64	65	100.7	201.4
63	91	75	113.85	227.7
76	106	95	130.3	260.6
101	119	120	160	320

应用

Applications

- 隔膜阀，手动或气动操作，专门应用于制药工业中的卫生和无菌过程。
- 该阀门非常适用于流体控制和开 / 关的任务。
- Diaphragm valves, manually or pneumatically operated, are specifically designed for use on hygienic and aseptic processes in the pharmaceutical industries.
- The valve is excellent for flow control as well as for open/close duties.



工作原理

Operating Principles

- 膜片提供阀体密封和阀座密封。里面没有路径通到外部环境，所以该阀门适用于无菌过程。
- 当阀门关闭时，支撑膜片的压力垫朝阀体上的密封面移动。当压力板移动时，膜片弯曲，被迫推向阀体中心的阀座区域，因此关闭了通向阀体的流体路径。
- 阀体和压力板的相互关系，防止了膜片的挤压。
- 该阀门可以手动也可以气动操作，也可以通过控制器和电磁阀控制。
- The diaphragm provides the body seal as well as the seat seal. There are no paths to the outside environment and as such the valve is suitable for aseptic processes.
- As the valve is closed, a pressure pad which supports the diaphragm moves towards the sealing face on the body. As the pressure plate moves, the diaphragm flexes and will be forced down onto the seat area in the centre of the body thus closing off the flow path through the body.
- The inter-relationship of body to the pressure plate prevents over compression of the diaphragm.
- The valve can be actuated either manually or pneumatically and controlled by control tops and solenoid valves





技术规格


Technical specifications

- 最大压力：10bar (145 PSI)
- 最大工作温度：-10°C +120°C
(EPDM) -14 ° F+248 ° F
(+140 ° C (SIP, 30) 284 ° F)
- Max. pressure: 10 BAR(145PSI)
- Working temperature: -10 °C to +120 °C
(EPDM) -14 °F to 248 °F
(+140 °C (SIP, max. 30 min) 284 °F)



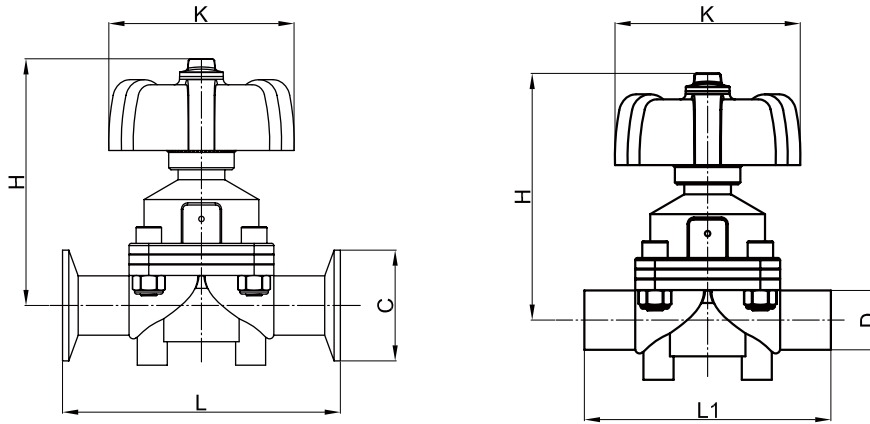
执行器 / Actuator			
01	02	03	04
复合材料 Composite material	复合材料 Composite material	不锈钢材料 Stainless steel	不锈钢材料 Stainless steel
			

隔膜片 / Diaphragms	
EPDM 隔膜片 Elastomer diaphragms EPDM	PTFE 隔膜片 PTFE/EPDM,PTFE/FPM PTFE diaphragms PTFE/EPDM, PTFE/FPM
	

阀体种类 / Valve body versions			
直通型 / Straight-through Type	T 型 / T-type	多通道 / Multi-way	SAP / GMP
			

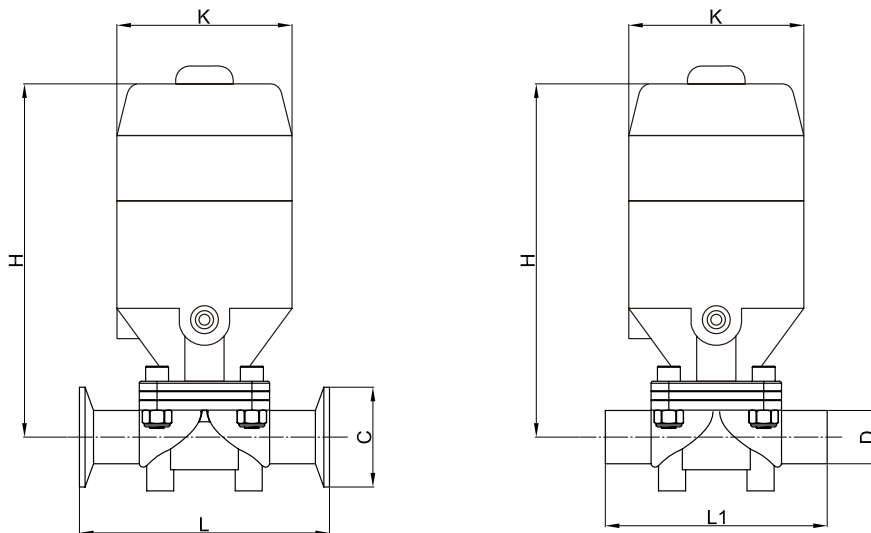
连接方式 / Connections		
卡箍 / Clamp	活接 / Unions	法兰 / Flange
		

手动隔膜阀 Manual Diaphragm Valve



Size	L	L1	K	D	C
15	108	102	65	12	25
20	126	120	87	17.2	25
25	126	120	87	25	50.5
38	160	140	104	38	50.5
51	193	150	114	51	64

气动隔膜阀 Pneumatic Diaphragm Valve



Size	L	L1	K	D	C
15	108	125	62	12	25
20	126	152	72	17.2	25
25	126	154	72	25	50.5
38	160	193	92	38	50.5
51	193	225	114	51	64

无菌隔膜罐底阀

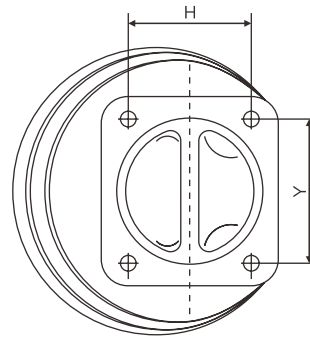
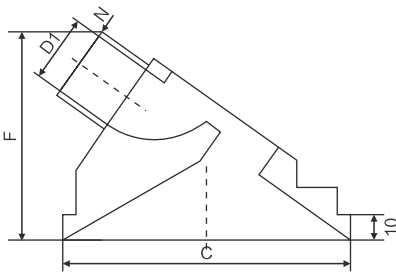
罐底阀应用于生物制药、食品精细化等行业的配料、容器放料使用，解决了生产过程中罐底阀死角问题，罐底物料充分排放前的灭菌难题，满足生物制药工艺要求，罐底阀连接为焊接式、快装式两种。

安装使用 45 度出料可使容器内物料排放干净，满足 GMP 要求，是管道卫生级洁净阀门。

Aseptic Diaphragm Tank Bottom Valve

Tank bottom valve is applied to proportioning vessel for emptying in biological pharmacy, food and fine chemical engineering etc. When stirrer is started, bottom material can be stirred evenly together with water. Connection mode includes welded type and flange type.

Installation and use of 45° material discharge can ensure that material inside vessel can be discharged completely, conforming to GMP requirements. It is sanitary valve for pipelines.



DN	C	F	D1	N	D2	D3
15	70	40	13	1.5	19	25.2
20	105	64	16	1.5	43.5	50.5
25	105	64	22	1.5	43.5	50.5
32	140	85	29	1.5	43.5	50.5
40	140	85	35	1.5	43.5	50.5
50	160	94	49	1.5	56.5	64
65	195	110	59	2	70.5	77.5
70	238	120	72	2	83.5	91
80	238	120	85	2	97	106



径向罐底隔膜阀

Radial Tank Bottom Diaphragm Valve

特点

P&E 系列阀门为制药和生物制药流体处理提供高性能的液流控制。利用水力优化设计，P&E 兼备了平板式隔膜阀的固有可清洗性和柱塞式阀的最佳特点，这种特性的兼备确保了 P&E 提供低液流阻力与已验证卫生设计的独特组合。P&E 结构坚固并由耐用材料制成，确保在要求的工况状态下有长的服务寿命。

生物制药应用的卫生设计

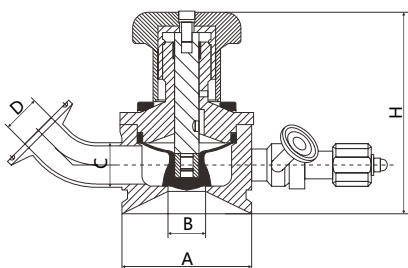
P&E 具有独特的专利设计，即使用卡箍固定阀膜片在阀体和驱动头之间的结构。所有驱动头的运动部件与所处理液体隔离，并且大部分规格的阀不需要使用工具拆卸或维护。阀腔和管道连接是无盲段自排尽的。与传统平析式隔膜阀相比，使用 P&E 在一个系统中阀门量最多可减少 30%。这就可导致整个管道系统液体残留量的减少。

Characteristic

P&E series valves provide high performance liquid flow control for pharmaceutical and biopharmaceutical fluid treatment. Using hydraulic optimization design, P&E combines the inherent cleanability of flat diaphragm valve and the best characteristics of plug valve. The characteristics of both ensures that the P&E provides lowflow resistance and has a unique combination of health design verification. The P&E structure is made of durable material and ensures long service life under the requirement of working condition.

Hygienic Design Of Biological Pharmaceutical Application

P&E has a unique patented design, that is, the use of clamp fixed valve diaphragm in the valve body and the driving head of the structure. All moving parts of the drive head are isolated from the liquid treatment, and most of the specifications of the valve do not require the use of tools for disassembly or maintenance. Valve cavity and pipe connection is no blind segment from the exhaust. Compared with the traditional flat diaphragm valve, the use of P&E in a system in the amount of valve can be reduced by up to 30%. This leads to a reduction in the amount of liquid remaining in the pipeline system.



Size	A	B	C	D	H
20	75	22	19	16	120
25	75	22	25.4	22.1	120
32	85	35	32	29	135
40	85	35	38	35	135
50	110	49	51	49	135

阀门设计要点

Valve design points

- 该阀门无死角设计
- 该阀门采用四氟隔膜片，确保药液的洁净
- 该阀门内部设有锥度，取样后使液体完全排放，无残留
- All the valve without dead corner design
- All the valve with PTFE diaphragm, ensure clean liquid
- There is taper inside the valve, after sampling the liquid completely discharged, no residue.

材质

Material

- 阀体：316L(1.4404)
- 阀门顶部：304 (1.4301)
- 密封件：PTFE (白)
- Valve body: AISI 316L (1.4404)
- Valve head: AISI 304(1.4301)
- Membrane: PTFE (white)

控制装置

Operating Devices

- 气动 -PEX
- 智能控制头
- Manual-PEX
- Automatic-Compact pneumatic actuator

压力

Pressure (max.)




- 工作压力：6 bar
- 橡胶塞：3 bar
- 堵头：10 bar
- Working pressure: 6 bar
- Rubber plug 3 bar
- Steel plug 10 bar

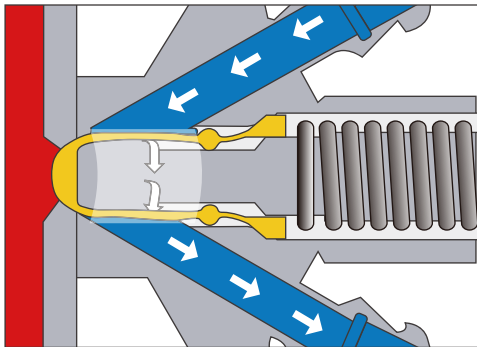
工作温度

Temperature (max.)

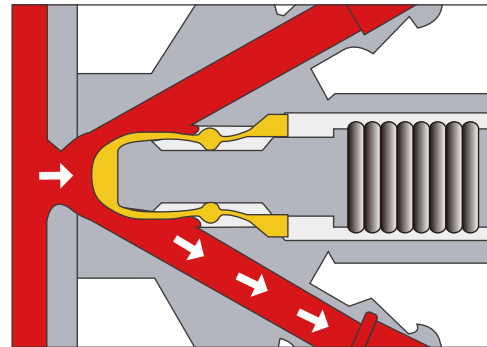
- 灭菌温度：121℃ / 250°F
- Sterilization temp.: 121℃ / 250°F



阀体连接 / Body Configuration		
焊接 / Weld Connection	快装 / Clamp Connection	法兰 / KF- connection
		



关闭阀门，灭菌消毒操作
closing valve, sterilization operating structure



开启阀门，取样操作
opening valve, sampling operating structure

取样 Sampling

- 打开阀，取样；
- 取样完成后，关闭阀；
- 用蒸汽清洁阀。请参见“灭菌”
- Open valve, sampling;
- After the sampling is completed, close the valve;
- Clean the valve with steam. Please refer to "sterilization"

灭菌 Sterilization

- 将蒸汽软管连接到阀的上部连接管上；
- 打开蒸汽源，让它流过阀以进行灭菌。在 121°C 下持续 1 分钟；
- 关闭蒸汽源；
- 移走蒸汽软管，把一个无菌橡胶塞或无菌蒙板安装到上部连接管上。
- Connect the steam hose to the upper part of the valve;
- Open the steam source, so that it flows through the valve to carry out sterilization. Last for 1 minutes at 121 °C ;
- Close the steam source;
- Remove the steam hose, then install a sterile rubber plug or sterile mask onto the upper connecting pipe.

Valve dimensions

Fig. 1. Dimensions - valve.

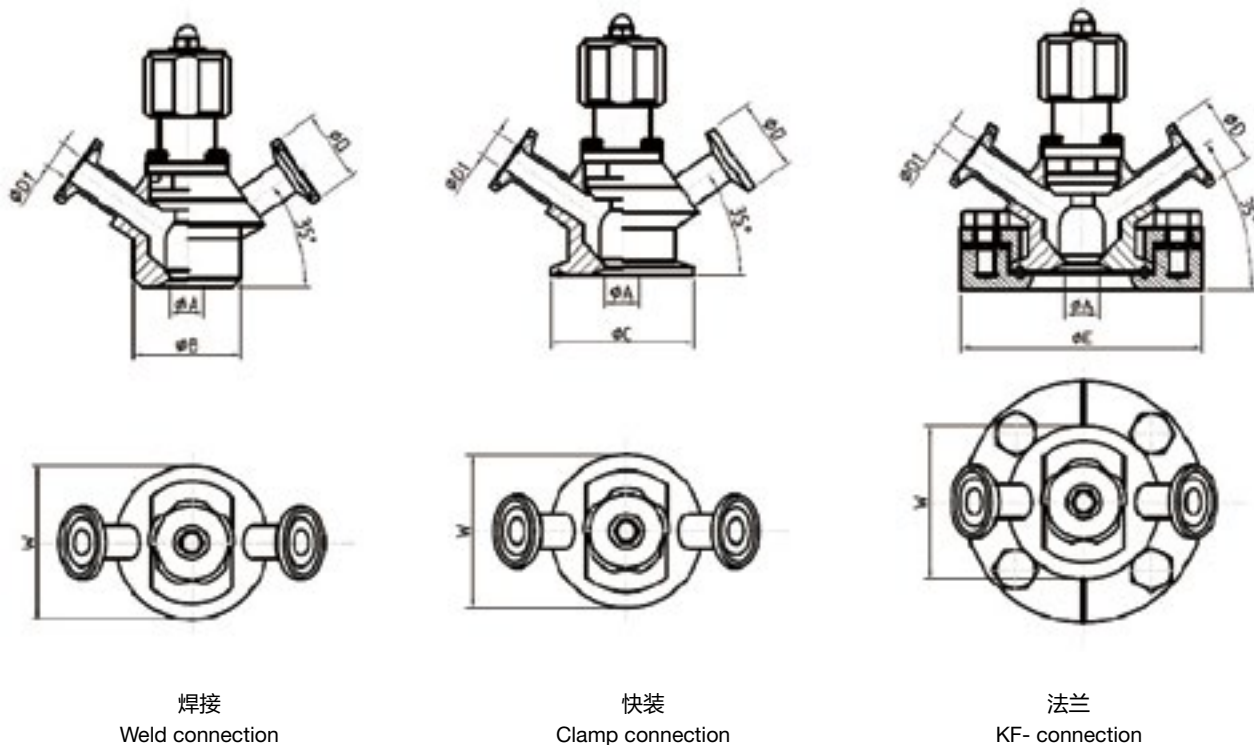
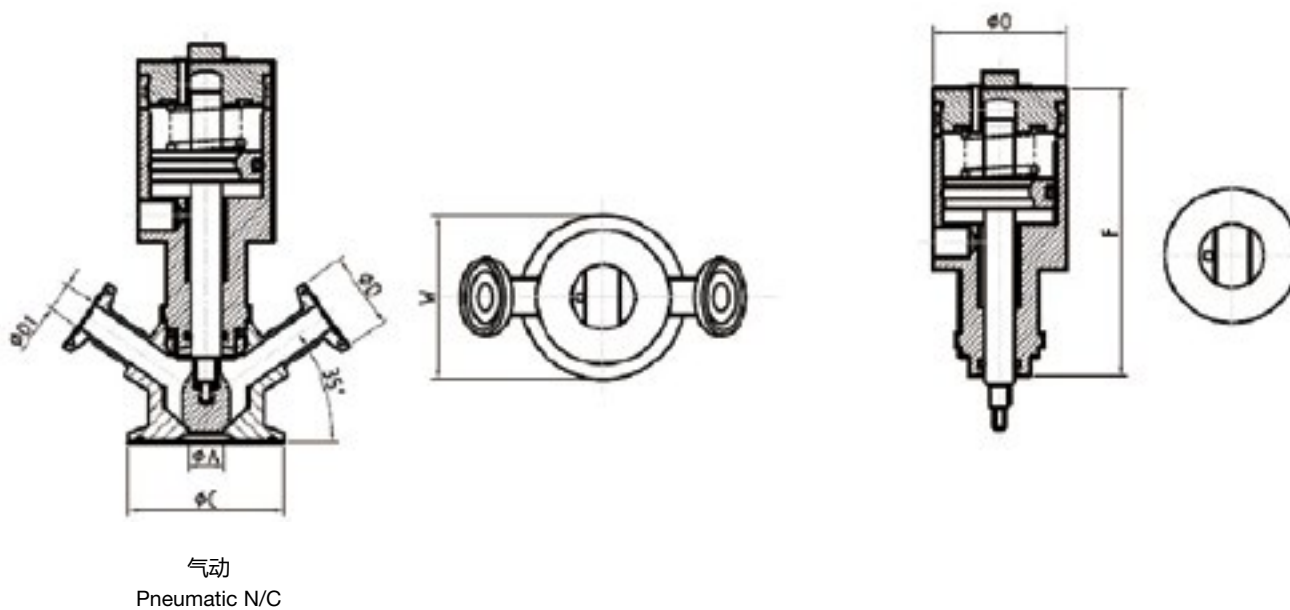


Fig. 2. Dimensions - actuator



Size	A	B	C	D	D1	E	F	O	W
20	6	17.2	25	25	15.2				38.5
25	12	25	50.5	25	22.6	85	95	44	53.7

应用**Application**

乳制品、制药、啤酒、食品、饲料、环保水处理、化妆品及化工领域；此阀设计精密，反应敏捷，水击作用极小，可以有更高的流速；接口为螺纹口（常规）外部先导角座阀，溢流口与滑块间有自调节密封压盖，阀体角座结构可实现较大流量，延长使用寿命，在同类阀中具有更经济，免维护，易安装，低能耗的特点。

Dairy products, pharmacy, beer, food, feedstuff, environment protection water treatment, cosmetics and chemical engineering field; This valve has precision design, can respond quickly, with extremely small water hammer action but with higher flow speed; Interface is threaded mouth (regular), external part is firstly guided with corner valve, there is self-adjusting seal gland between overflow port and sliding block, valve body corner seat structure can ensure comparatively large flow capacity, extend service lifetime, with characteristics such as being economical, non-maintenance, easy installation and low energy consumption.

**技术参数****Technical Parameters**

压力范围：0 ~ 16 bar

介质温度：-10°C ~ +180°C

环境温度：-100°C ~ +600°C

阀门材质：SUS316L

密封材质：聚四氟乙烯 PTFE

控制气体：中性气体、空气

Pressure range: 0~16 bar

Medium temperature: -10°C~+180°C

Ambient temperature: -100°C~+600°C

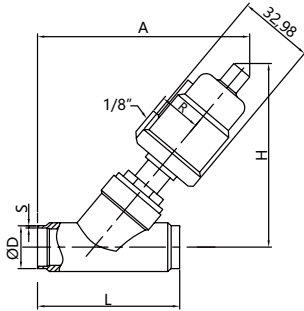
Valve material: SUS316L

Seal material: Poly tetra fluoroethylene PTFE

Control gas: neutral gas, air

不锈钢角座阀

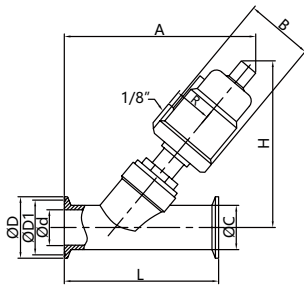
Stainless Steel Angle Seat Valve



Size	Actuator	B	R	H	D	S	A	L
15	40	50.5	27	112	12	1.2	118	70
	50	60	33	125			128	
25	50	60	33	136	25	1.2	150	100
	63	75	41	162			175	
	90AL	112	57	210			216	
	90	106	55	211			218	
40	63	75	41	175	38	1.2	190	130
	90AL	112	57	220			232	
	90	106	55	223			235	
50	63	75	41	183	51	1.2	206	155
	90AL	112	57	232			247	
	90	106	55	232			250	
	125AL	148	74	287			250	

快装角座阀

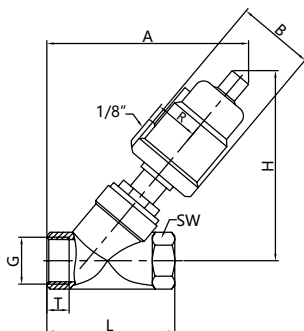
Tri-Clamp Angle Seat Valve



Size	Actuator	D	D1	d	L	A	H
20	50	25	22/23	9.6	80	140	126
25	50	50.5	28/29	22.6	130	165	140
	63					188	166
38	63	50.5	40/41	37	160	210	175
	90					255	223
51	63	64	52/53	49	175	221	185
	90					265	235

不锈钢内螺纹角座阀

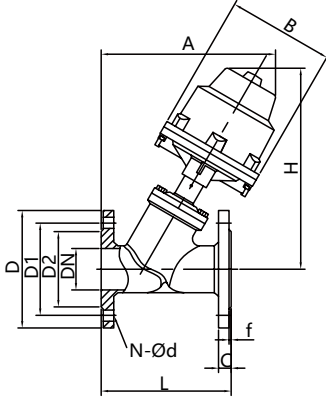
Stainless Steel Angle Seat Valve



Size	Actuator	B	R	H	G	T	A	L	SW
10	140	50.5	27	112	3/8"	12	124	68	27
	50	60	33	125			135		
15	40	50.5	27	112	1/2"	15	124	68	27
	50	60	33	125			135		
25	50	60	33	136	1"	17	150	90	40
	63	75	41	162			172		
	90AL	112	57	210			215		
	90	106	55	211			216		
38	63	75	41	175	1 1/2"	21	190	116	56
	90AL	112	57	220			230		
	90	106	55	223			235		
51	63	75	41	183	2"	22	205	138	69
	90AL	112	57	232			245		
	90	106	55	232			250		
	125AL	148	74	287			294		
63	90AL	112	57	262	2 1/2"	26	282	178	85
	90	106	55	265			285		
	125AL	148	74	302			320		
76	125AL	148	74	313	3"	27	372	210	100

法兰角座阀

Angle Seat Valve(Bolted Bonnet)

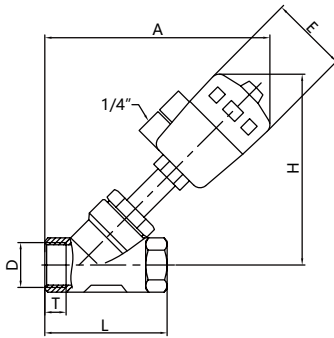


Size	Actuator	L	C	F	D
63	Ø125	203	18	3	180
76	Ø125	241	20	3	195
76	Ø160	241	20	3	195
101	Ø160	254	20	3	215

D1	D2	A	H	B	N-Ød
145	120	275	318	168	4-Ø18
160	135	302	345	168	8-Ø18
160	135	330	380	220	8-Ø18
180	155	338	395	220	8-Ø18

塑料气动头 - 内螺纹角座阀

Pneumatic Threaded Angle Seat Valve



Size	Actuator	L	A	H	D	E
10	Ø50	65	165	120	3/8"	64
15	Ø50	86	172	137	1/2"	64
20	Ø50	95	178	145	3/4"	64
25	Ø50	105	210	165	1"	64

工作原理 Working Principle

当容器内部压力高于设定压力时，阀门将自动打开向容器外排气，反之关闭；
当容器中产生真空压力时阀门将自动打开（标准真空 $\leq 0.9\text{bar}$ ），容器内吸气；
阀门保持常闭状态。

When the internal pressure of the container is higher than the set pressure, the valve will automatically open to exhaust air to the outside of the container, and otherwise it will be closed;

When vacuum pressure is generated in the container, the valve will automatically open (standard vacuum $<0.9\text{bar}$), the container will absorb air; the valve remains normally closed.



校准范围 Calibration Range

压力: 0.2 至 3 bar
压力: 2.8 PSI 至 43.5 PSI (取决于型号)
真空: 0.01 至 0.05 bar
真空: 0.15 PSI 至 0.75 PSI (取决于型号)

Pressure: 0.2 to 3 bar
Pressure: 2.8 PSI to 43.5 PSI
(depending on model)
Vacuum: 0.01 to 0.05 bar
Vacuum: 0.15 PSI to 0.75 PSI
(depending on model)

可选择的密封圈类型 Available Types

以下密封圈类型可以安装在您的阀门上：食品级硅胶、氟橡胶
请联系我们的技术部门来确定适合您工艺的密封类型。

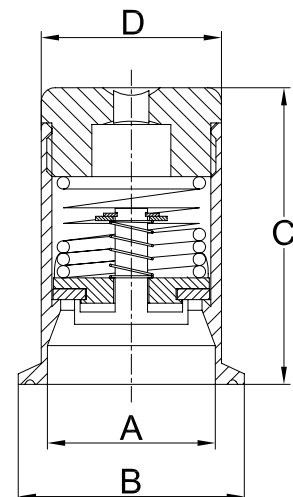
The following seal types can be mounted on your valve:
FOOD-GRADE SILICONE, VITON
Please contact our Technical Department to define the seal type suited to your process.

Pneumatic Threaded Angle Seat Valve

Size	A	B	C	D
	mm	mm	mm	mm
38	39	50.5	84	44
51	47.5	64.0	84	51
63	57.8	91	97	63

IF YOU WANT TO CHECK FOR MORE DETAILS PLEASE
CHECK THE FOLLOWING DRAWING

*1BAR \approx 14.5PSI \approx 0.1MPA





应用

Application

过滤器可广泛应用于食品，化妆品，一些化工和制药等领域。它们为卫生型设计，可用来过滤颗粒以防止将泵和其他部件打坏。

Filters have a wide range of applications in the food-processing, cosmetics and some chemical industries as well as in auxiliary services of the pharmaceutical industry. They have a hygienic design and are used to filter particles capable of damaging pumps and other equipment.

操作原理

Operating Principle

过滤器包括一个过滤体，可连接产品的进出口。过滤网可固定在过滤体内，过滤网将大于或等于孔径的颗粒截住。

The filter basically consists of a filter body with an inlet and an outlet for the product. The screen is fixed inside the body. The screen retains all particles that are equal or larger than the size of the screen openings.

设计特点

Design And Features

有几种不同的构造：

清洗滤网，无需将过滤器解体。

带角度的过滤器 (82700)：进出口呈直角

Y型过滤器 (83700)：产品进和出在同一方向。

清洗滤网，需将过滤器拆开

直线过滤器 (81700)：产品进和出在同一方向。

低压力降

DIN11850 标准连接方式

筛网内径 (从 $\varnothing 0.5\text{mm}$ 到 $\varnothing 5\text{mm}$) 或者径向打开 ($10 \times 1\text{mm}$)

There are several configurations:

- Cleaning of the screen without disassembling the filter:

Angular filter (82700): the inlet and the outlet form a right angle.

Y filter (83700): the product enters and leaves the filter in the same direction.

- Cleaning of the screen: need to disassemble the filter.

Straight filter (81700): the product enters and leaves the filter in the same direction.

Low pressure drops.

Connections: DIN EN 10357 series A and ASTM A269/270 (corresponds to OD pipe).

Screen with circular (from $\varnothing 0.5\text{ mm}$ to $\varnothing 5\text{ mm}$) or longitudinal openings ($10 \times 1\text{ mm}$).

技术参数 Technical Specifications

直接过滤器 / 角过滤器

尺寸: DN 25 – DN 100 / 1" - 4"

DN 125 – DN 150 / 6"

最高工作温度: -10°C to +120°C (EPDM) / 14 °F to 248 °F
+140°C (SIP, max. 30 min) / 284°F

最大工作压力: 10 bar / 145 PSI

Straight Filter / Angular Filter

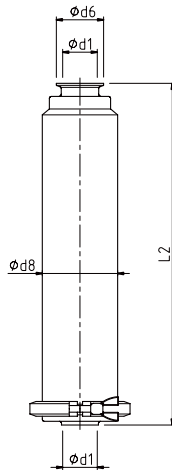
Available sizes: DN 25 – DN 100 / 1" - 4"

DN 125 – DN 150 / 6"

Working temperature: -10°C to +120°C (EPDM) / 14 °F to 248 °F
+140°C (SIP, max. 30 min) / 284°F

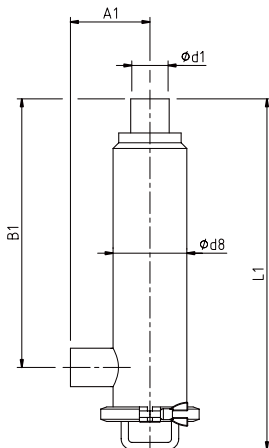
Max.working pressure: 10 bar / 145 PSI

直接过滤器 Straight Filter



焊接 / 卡箍 Weld / Clamp					
DN	Ød1	Ød6	Ød8	L2	kg
1"	22.1	50.5	76.2	390	2.7
1½"	34.8	50.5	101.6	476	4.7
2"	47.5	64.0	101.6	476	4.8
2½"	60.2	77.5	114.3	646	5.7
3"	72.9	91.0	114.3	646	5.8
4"	97.4	119	120	802	11.9
6"	146.8	167	219.1	1188	25.3

角过滤器 Angular Filter



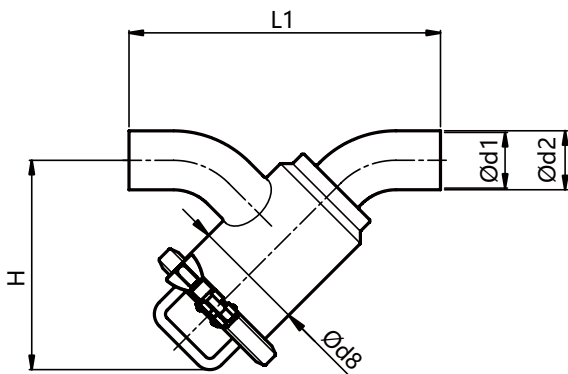
焊接 / 卡箍 Weld / Clamp						
DN	Ød1	Ød8	A1	B1	L1	kg
1"	22.1	76.2	76	300	399	2.8
1½"	34.8	101.6	95	370	486	4.1
2"	47.5	101.6	121	370	486	4.1
2½"	60.2	114.3	140	525	663	6.9
3"	72.9	114.3	159	525	663	6.9
4"	97.4	154.0	203	676	823	13
6"	146.8	219.1	220	920	1097	25

Y 型过滤器

尺寸: DN 25 – DN 50 / 1" - 2"
 DN 65 – DN 80 / 2 ½" - 3"
 DN 100 – DN 150 / 4"

最高工作温度: -10°C to +120°C (EPDM) / 14 °F to 248 °F
 +140°C (SIP, max. 30 min) / 284°F

最大工作压力: 10 bar / 145 PSI



Y Filter

Available sizes: DN 25 – DN 50 / 1" - 2"
 DN 65 – DN 80 / 2 ½" - 3"
 DN 100 – DN 150 / 4"

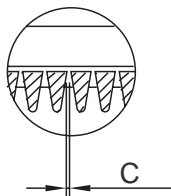
Working temperature: -10°C to +120°C (EPDM) / 14 °F to 248 °F
 +140°C (SIP, max. 30 min) / 284°F

Max. working pressure: 10 bar / 145 PSI

焊接 / 卡箍 Weld / Clamp						
DN	Ød1	Ød2	Ød8	L1	H	kg
1"	22.1	25.4	76.2	214	169	1.7
1½"	34.8	38.1	101.6	243	196	2.9
2"	47.5	50.8	101.6	300	201	3.2
2½"	60.2	63.5	114.3	346	246	3.8
3"	72.9	76.2	114.3	378	252	4.1
4"	97.4	101.6	154	470	2	7.3

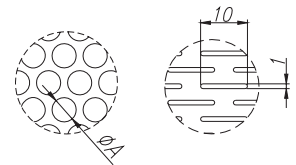
筛网: 楔型金属丝 Screen: Wedge Wire

Mesh equiv.	C (mm)	Useful surface (%)
40	0.40	28
60	0.30	23
80	0.20	17
165	0.10	10
325	0.05	5



筛网: 多孔板 Screen: Perforated Plate

A (mm)	Useful surface (%)
0.5	15
1	28
2	30
5	46
10x1	20





P&E TECHNOLOGY

Provide customers with most
precise and efficient solution
and make the world work better.

www.pestainless.com